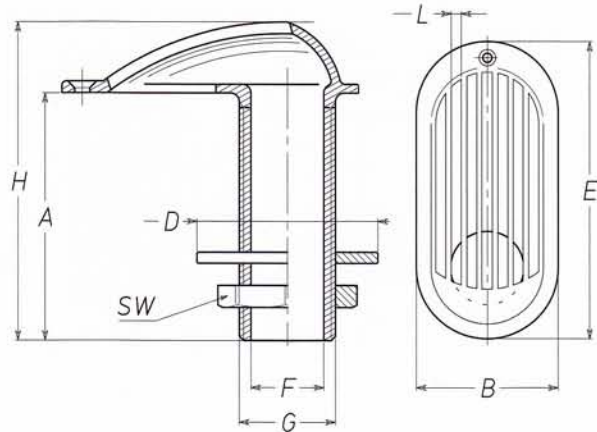


Art. 1120

PRESA A MARE - OTTONE
GRATED WATER INTAKE - BRASS

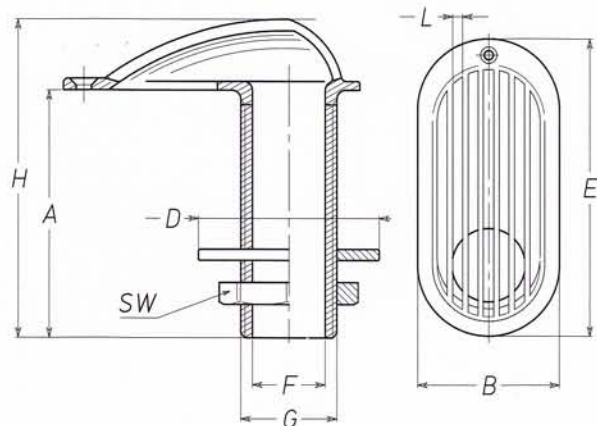


FILETTATURE / THREAD :
G = ISO 228/1 (BS 2779)

Weight (gr)	240	330	480	560	810	965	1510
SW	23	26	32	38	49	56	68
H	94	103	102	104	118	119	136
A	71	76	76	76	89	88	99
F	11	14	19	25	32	37	48
D	33	38	48	55	64	72	88
L	2.5	2.5	3	3	3	3	3
E	81	89	106	118	123	134	160
B	45	52	59	60	65	72	85
G	3/8"	1/2"	3/4"	1"	1 1/4"	1 1/2"	2"

Art. 1120/F

PRESA A MARE TUTTA FRESATA - OTTONE
FULL GRATED WATER INTAKE - BRASS



FILETTATURE / THREAD :
G = ISO 228/1 (BS 2779)

Weight (gr)	230	308	460	535	785	950	1480
SW	23	26	32	38	49	56	68
H	94	103	102	104	118	119	136
A	71	76	76	76	89	88	99
F	11	14	19	25	32	37	48
D	33	38	48	55	64	72	88
L	2.5	2.5	3	3	3	3	3
E	81	89	106	118	123	134	160
B	45	52	59	60	65	72	85
G	3/8"	1/2"	3/4"	1"	1 1/4"	1 1/2"	2"