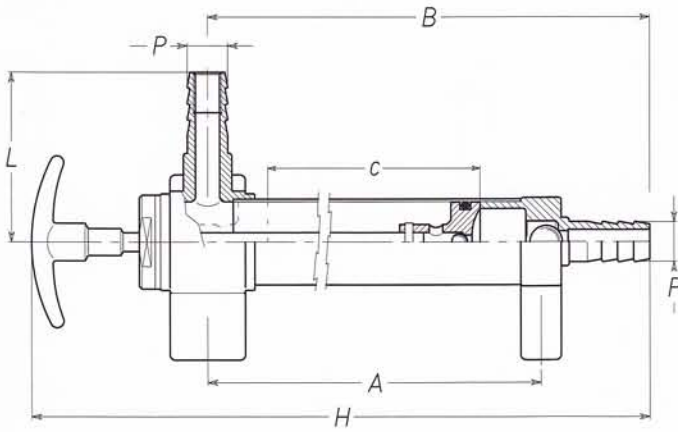


Art. 1126

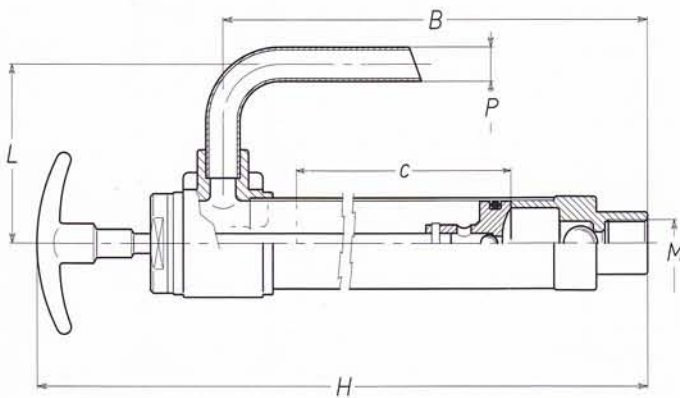
POMPA RICAMBIO OLIO - TIPO NORMALE - OTTONE
 SUMP-OIL CHANGE PUMP - NORMAL TYPE - BRASS



Weight (gr)	450	785
C	125	190
H	255	335
A	165	230
P	13	15
B	194	273
L	38	66
Ref.	1/2"	3/4" 1"

Art. 1128

POMPA RICAMBIO OLIO - TIPO "EXPORT" - OTTONE
 SUMP-OIL CHANGE PUMP - "EXPORT" SET - BRASS



Weight (gr)	700	695
C	140	140
P	12	12
H	270	270
B	205	205
L	70	70
M	14x1.5	16x1.5