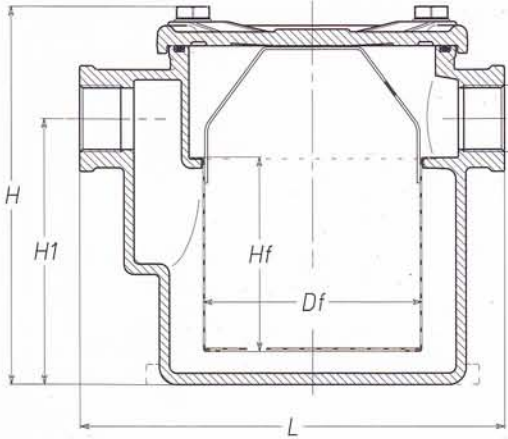
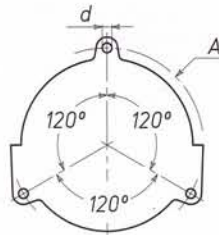


FILTRO DEPURAZIONE ACQUA SERIE "MEDITERRANEO"
BRONZO NICHELATO - Coperchio in bronzo
 WATER STRAINER "MEDITERRANEO" PATTERN
 NICKEL-PLATED BRONZE - Bronze cover

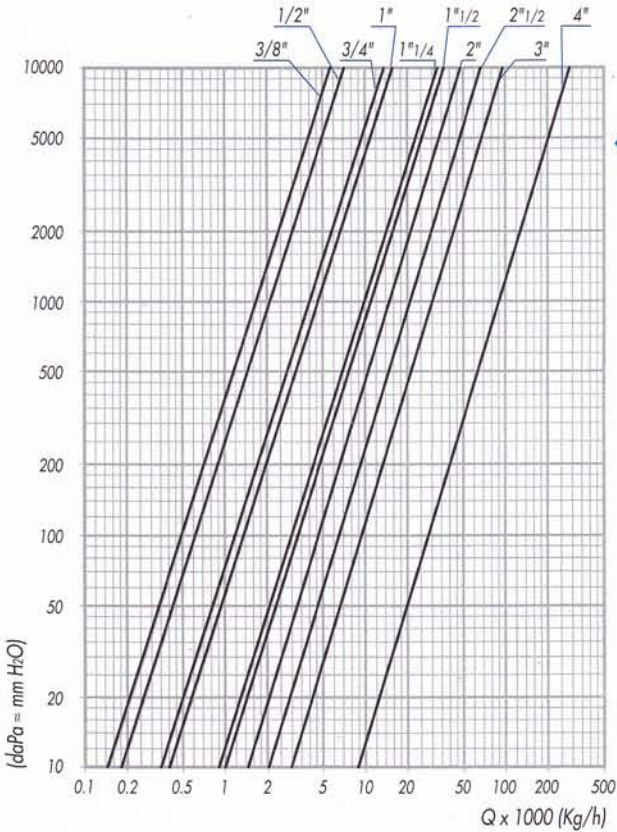


- Corpo in bronzo nichelato
- Elemento filtrante in acciaio inox AISI 316L
- Coperchio in bronzo nichelato
- Guarnizioni in neoprene
- Nickel-plated bronze casing
- AISI 316L stainless steel inside filter
- Nickel-plated bronze cover
- Neoprene o-ring



FILETTATURE / THREAD :
 G = ISO 228/1 (BS 2779)

	4050	4130	4210	4290	4370	4450	4530	4610	4690	4770
Weight (gr)	2240	2230	2620	2610	3000	3000	3390	3380	3770	3760
d	5.5	5.5	6.5	6.5	6.5	6.5	6.5	6.5	8.5	8.5
A	100	100	132	132	160	160	177	222	225	230
H	131	131	151	151	204	204	220	280	291	430
H1	90	90	106	106	146	146	154	194	205	329
L	140	140	169	169	211	211	238	298	304	341
Hf	64	64	77	77	100	100	108	141	151	260
Df	57	57	87	87	105	105	124	165	165	165
G	3/8"	1/2"	3/4"	1"	1 1/4"	1 1/2"	2"	2 1/2"	3"	4"



PORTATE DI ACQUA ATTRAVERSO
 IL FILTRO PULITO - l/h
 FLOW-RATE CAPACITY THROUGH
 THE CLEAN FILTER - l/h

G Certificato 0.1 bar 1 bar

G	1911/1	1680	5690
3/8"	1911/2	2100	7120
1/2"	1911/3	4030	13650
3/4"	1911/4	4640	15720
1"	1911/5	9900	32840
1 1/4"	1911/6	11020	36490
1 1/2"	1911/7	14900	47660
2"	1911/8	20900	66850
2 1/2"	1911/9	30090	95840
3"	1911/10	90000	286600
4"			

OMOLOGAZIONE / CERTIFICATE
RINA MAC

