

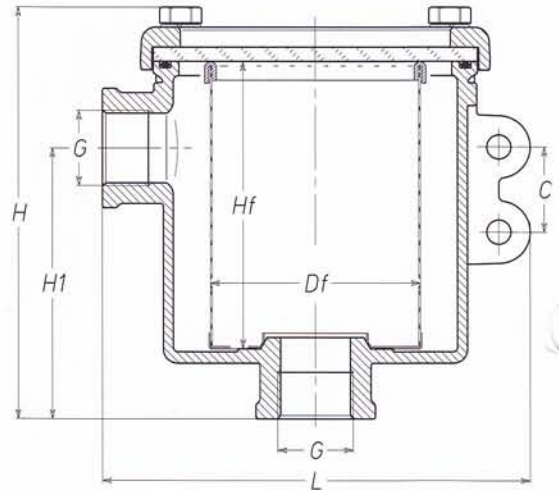
Art. 1164

FILTRO DEPURAZIONE ACQUA SERIE "IONIO"
BRONZO NICHELATO - Disco in policarbonato
 WATER STRAINER "IONIO" PATTERN - NICKEL-PLATED BRONZE
 Polycarbonate cover



- Corpo in bronzo nichelato
- Elemento filtrante in acciaio inox AISI 316L
- Disco in policarbonato trasparente
- Guarnizioni in neoprene

- Nickel-plated bronze casing
- AISI 316L stainless steel inside filter
- Transparent polycarbonate cover
- Neoprene or-ring



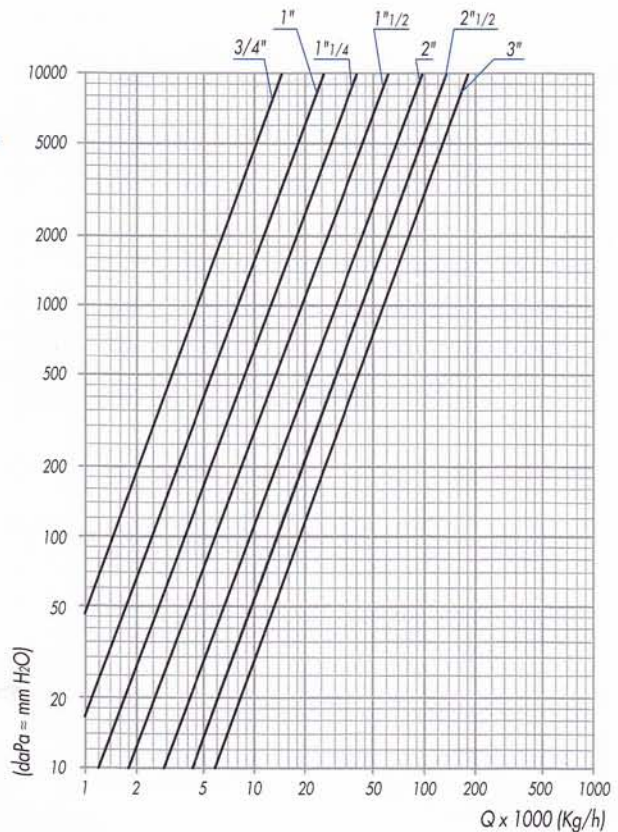
FILETTATURE / THREAD :
 G = ISO 228/1 (BS 2779)

Weight (gr)	2730	2600	4000	3800	5800	9000	9600	
C	30	30	40	40	50	60	80	
H	144	144	178	178	215	243	276	
H1	97	97	103	103	135	150	177	
L	151	151	180	180	213	252	255	
Hf	100	100	131	131	160	188	215	
Df	74	74	98	98	124	155	155	
G	3/4"	1"	1 1/4"	1 1/2"	2"	2 1/2"	3"	4"

PORTATE DI ACQUA ATTRAVERSO
 IL FILTRO PULITO - lt/h
 FLOW-RATE CAPACITY THROUGH
 THE CLEAN FILTER - lt/h

G Certificato 0.1 bar 1 bar
 N°

3/4"	2069/4	4650	14910
1"	2069/1	7950	25489
1 1/4"	2069/5	12500	40079
1 1/2"	2069/2	19100	61239
2"	2069/3	30000	96188
2 1/2"	6061/1	42600	134000
3"	6061/2	58400	184000



OMOLOGAZIONE / CERTIFICATE
 RINA DIP

