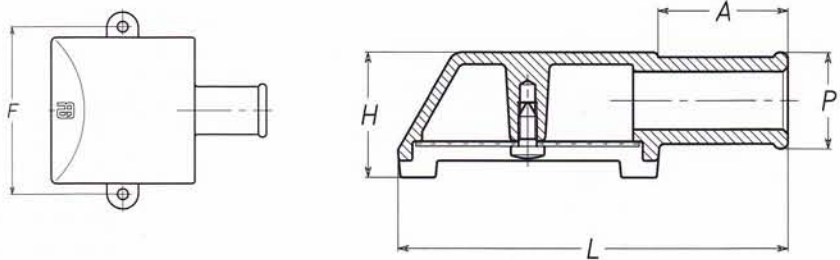


Art. 1200

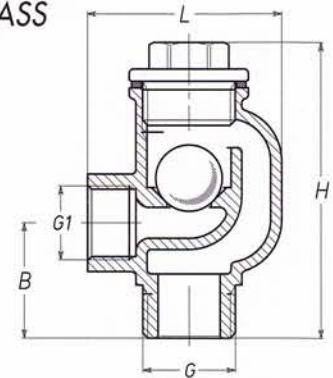
SUCCHIERUOLA DI SENTINA CON FILTRO INOX - OTTONE
BILGE STRUM BOX WITH STAINLESS STEEL GAUZE - BRASS



Weight (gr)	170	400
F	64	89
L	82	110
H	25	30
A	27	30
P	20	25

Art. 1250

VALVOLA SIPHONBREAK - OTTONE NICHELATO
SIPHONBREAK VALVE - NICKEL-PLATED BRASS

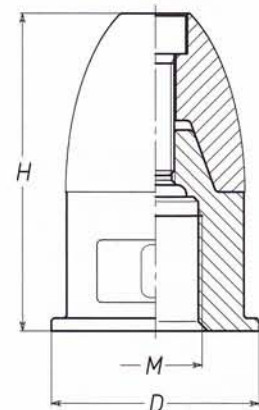


FILETTATURE / THREAD :
 G = ISO 228/1 (BS 2779)

Weight (gr)	180
B	26
L	44
H	68
G1	3/8"
G	1/2"

Art. 1150

OGIVA PER ASSE - OTTONE E ZINCO
ANODE FOR PROPELLER SHAFT
BRASS AND ZINC



Weight (gr)	410	410	410	400	400	880	900	900	820
D	38	38	43	43	43	53	62	62	62
H	67	67	67	67	67	84	84	84	84
M	14x1.5	16x1.5	18x1.5	20x1.5	3/4"W	24x2	26x2	1"W	30x2