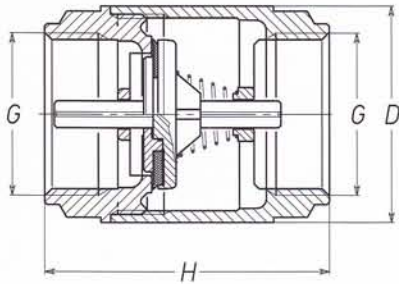


Art. 1532

**VALVOLA DI RITEGNO A MOLLA TIPO "EUROPA" - OTTONE**  
 SPRING CHECK VALVE "EUROPA" PATTERN - BRASS



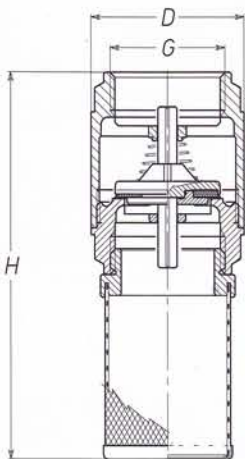
FILETTATURE / THREAD :  
 G = ISO 228/1 (BS 2779)



Weight (gr)	90	75	100	155	225	350	470	710	1260	1810	3100
H	45	45	48	53	59	66	71	80	93	104	119
D	29	29	30	37	44	56	63	78	103	120	155
G	1/4"	3/8"	1/2"	3/4"	1"	1 1/4"	1 1/2"	2"	2 1/2"	3"	4"

Art. 1533

**VALVOLA DI FONDO A MOLLA TIPO "EUROPA" CON FILTRO INOX - OTTONE**  
 SPRING CHECK VALVE "EUROPA" PATTERN WITH STAINLESS STEEL FILTER - BRASS



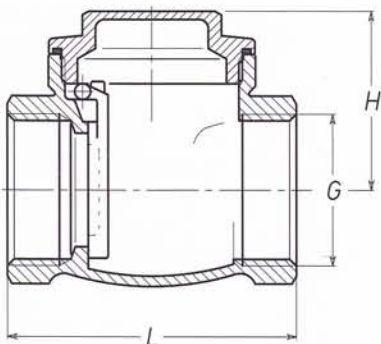
FILETTATURE / THREAD :  
 G = ISO 228/1 (BS 2779)



Weight (gr)	95	125	190	285	415	550	860	1510	2180	3550
H	88	91	102	113	125	140	164	177	193	234
D	29	30	37	44	56	63	78	103	120	155
G	3/8"	1/2"	3/4"	1"	1 1/4"	1 1/2"	2"	2 1/2"	3"	4"

Art. 1670

**VALVOLA A CLAPET TENUTA METALLICA - OTTONE**  
 SWING CHECK VALVE METAL TIGHTNESS - BRASS



FILETTATURE / THREAD :  
 G = ISO 228/1 (BS 2779)



Weight (gr)	170	145	210	335	485	650	1000	1555	2240	3795	10500	15860
H	32	32	35	39	47	51	59	67	77	92	118	134
L	47	47	54	64	76	83	98	116	135	164	206	235
G	3/8"	1/2"	3/4"	1"	1 1/4"	1 1/2"	2"	2 1/2"	3"	4"	5"	6"