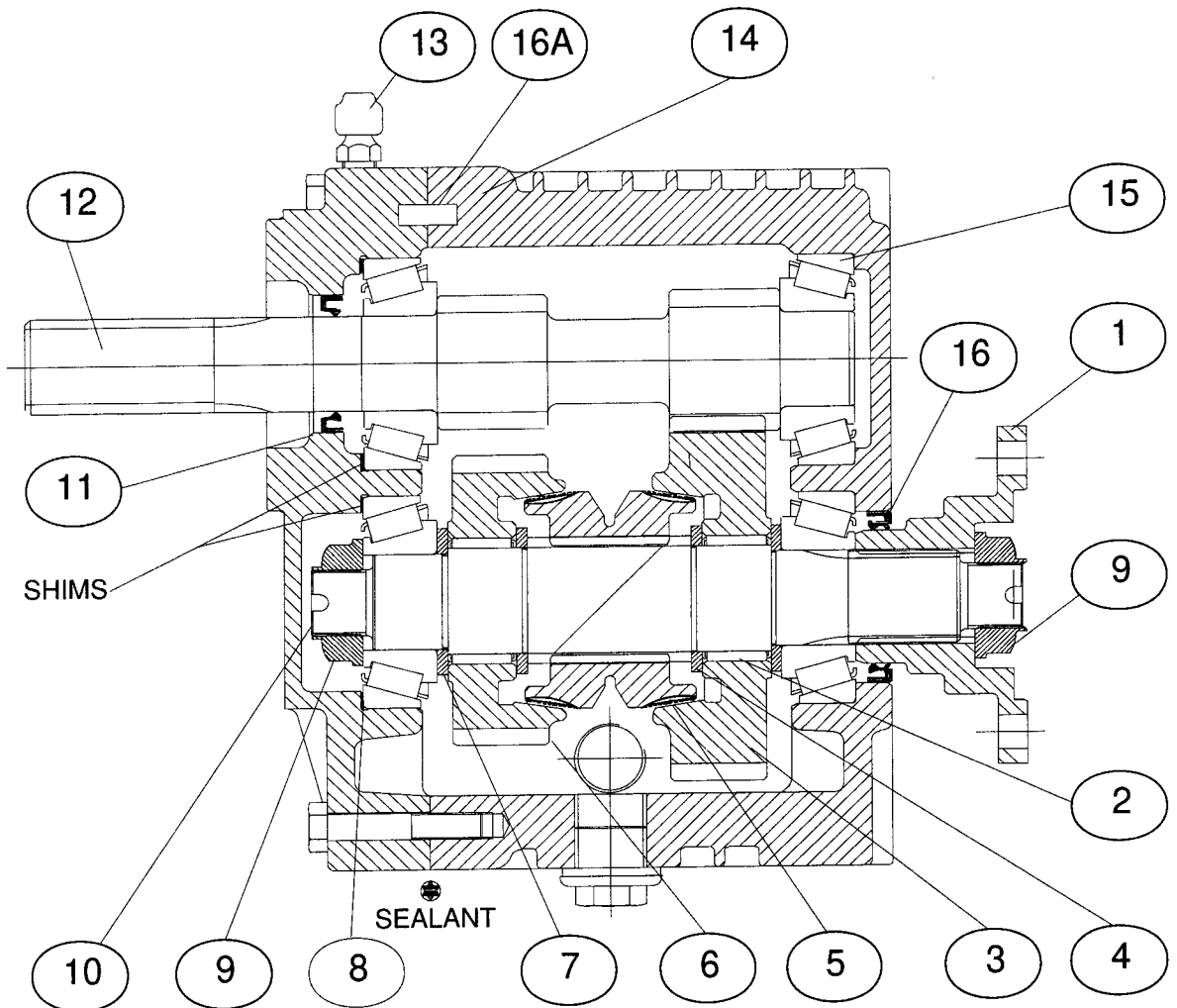
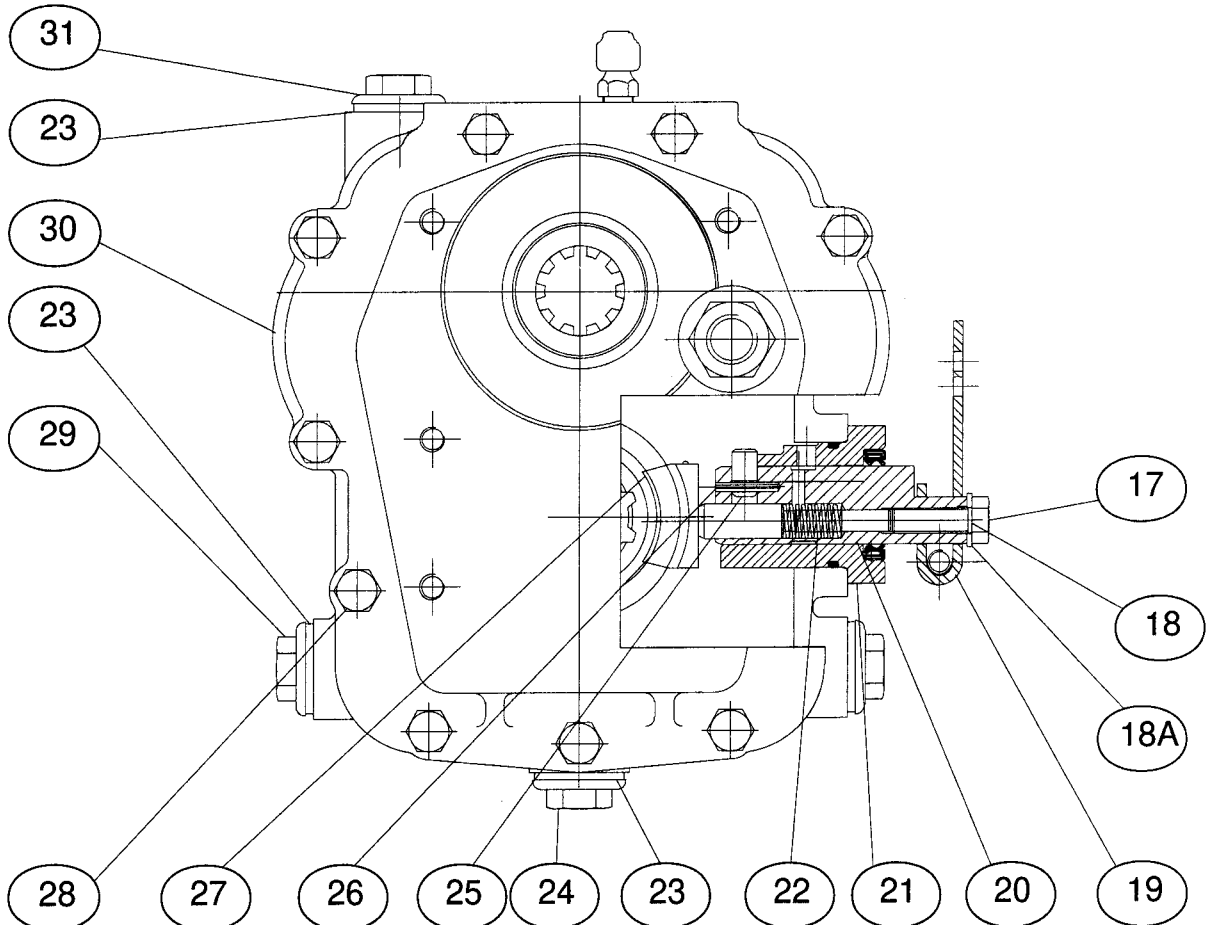


ITEM NO.	DESCRIPTION	PART NO.	QTY
1	Drive flange	MT8099	1
2	Needle bearing	0563201	2
3	Output forward gear 2:1 ratio	MT8091	1
	Output forward gear 2.5:1 ratio	MT8092	1
	Output forward gear 3:1 ratio	MT8106	1
4	Thrust washer	MT8096	2
5	Cone clutch	MT8098	1
6	Output reverse gear 2.5:1 ratio	MT8094	1
7	Thrust washer	0672801	2
8	Shim 0.05, Shim 0.075mm	057064A/B	AR*
	Shim 0.25, Shim 0.80mm	057064C/D	AR*
	(Bearing shim kit containing 4 off each shim)	MT0430	
9	Special locknut	MT8095	3
10	Output shaft	MT8089	1
11	Oil seal	0400286	1
12	Input shaft 2:1	MT8086	1
	Input shaft 2.5:1	MT8087	1
	Input shaft 3:1	MT8105	1
13	Valve (breather)	008-0070	1
14	Gearcase	MT8085	1
15	Bearing	001-0270	4
16	Oil seal	0400407	1
16A	Dowel	0210815	2



ITEM NO.	DESCRIPTION	PART NO.	QTY
17	Bolt M8 x 26	MT8117	1
18	Washer M8	0191007ZP	1
18A	Shim 0.125, Shim 0.25, Shim 0.50mm (Selector shim kit containing 3 off each shim)	057017B/C/D	AR*
		MT0429	
19	Gear selector lever	MT8100	1
20	Selector control body	MT8102	1
21	Selector housing	MT8101	1
22	Spring	0311042	1
23	Bonded seal	0201714	4
24	Magnetic drain plug	CP1331	1
25	Selector pin	MT8104	1
26	Spring dowel	010-0210	1
27	Selector shoe	MT8103	1
28	Bolt	0040812ZP	11
29	Drain plug 1/2" BSP	CP1189	2
30	Front cover	MT8084	1
31	Dipstick	0800551	1

NOTE: \*AR - As Required



ITEM NO.	DESCRIPTION	PART NO.	QTY
32	Bolt M8 x 35	0040810ZP	1
33	Plain washer M8	0191007ZP	1
34	Nut nyloc	0050806ZP	3
35	Nut M16	0051610	1
36	Internal spring ring	0320470	1
37	Idler gear	MT8090	1
38	Idler shaft	MT8088	1
39	Bearing	0540252	2
40	Stud M8 x 37	MT3094	2
41	'O' ring	04303524	1
42	Oil seal	0400255	1
43	'O' ring	04301416	1
	('O' ring oil seal kit containing 1 off each 'O' ring/seals)	MT0428	

