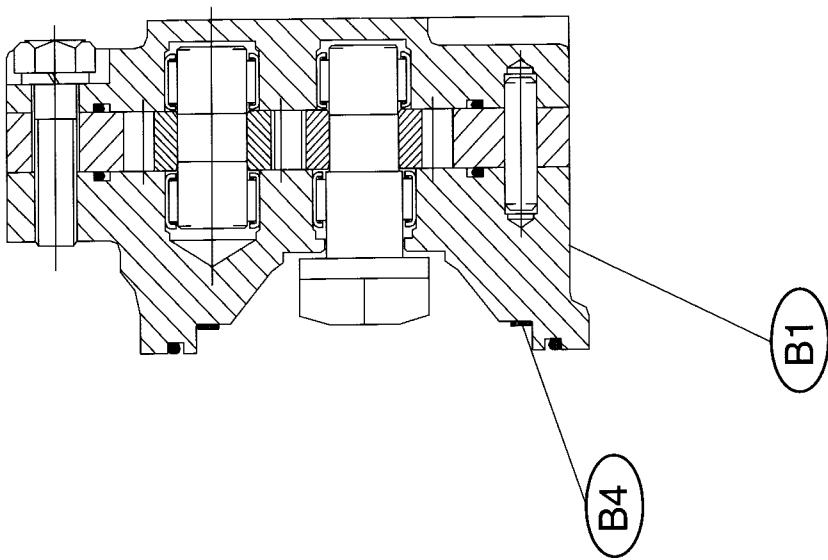
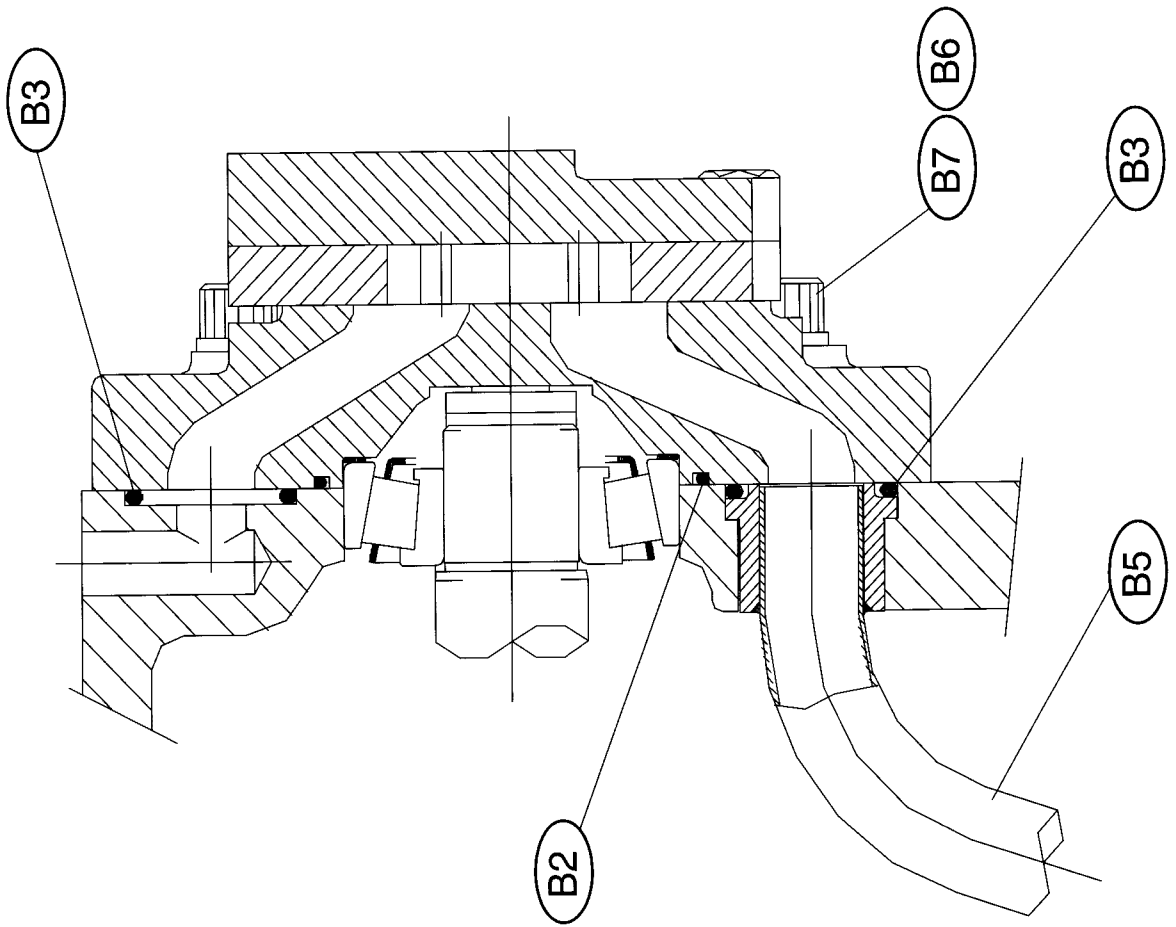


**SECTION A - GEARCASE ASSEMBLY**

<b>ITEM NO.</b>	<b>DESCRIPTION</b>	<b>PART NO.</b>	<b>QTY</b>
A	Case sub-assembly	MT0371	1
A1	Gearcase - top - Not supplied separately	MT1119	1
A2	Gearcase - bottom - Not supplied separately	MT1427	1
A3	Bolt	UBF113	6
A4	Washer	W108	6
A5 *	Gasket	MT343	1
A6	Top cover	MT1203	1
A7	Screw	USF32	10
A8	Washer	CP1223	10
A9	Dipstick	MT471	1
A10	End cover	MT318	1
A11	Screw	USF33	2
A12	Washer	CP1224	2
A13	Breather	CP1057	1
A16	Drain plug (magnetic)	CP1331	2
A17	Washer	0201714	2
A19	Case half bolt (not illustrated)	UBF173	1
A20 *	'O' ring (end cover)	0022873	1
A21	Bolt	USF53	3
A22	Washer	W108	3

\* Part of gasket/seal kit      MT0382

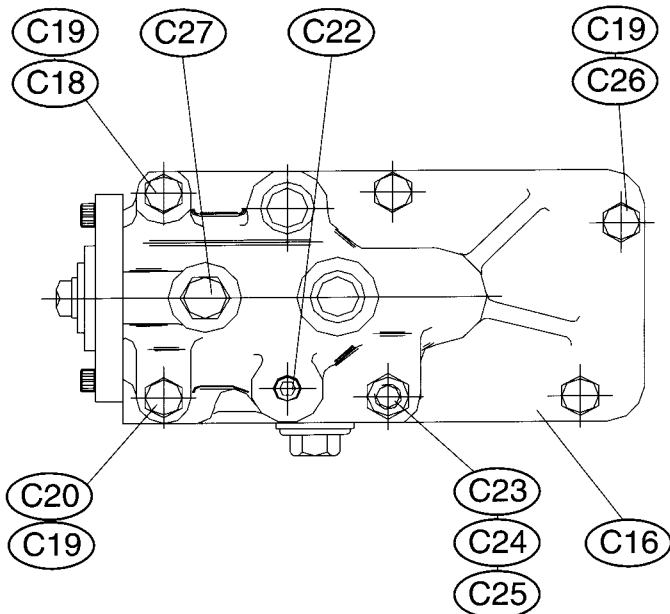
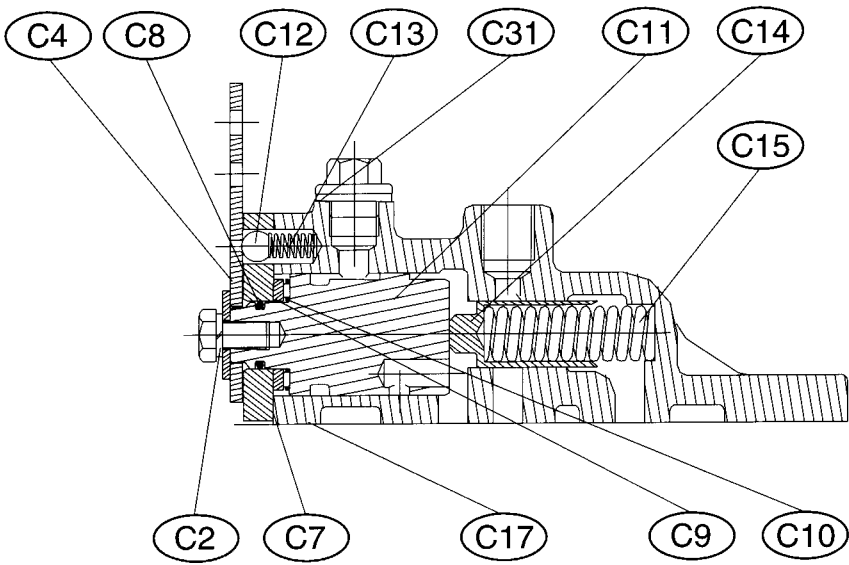
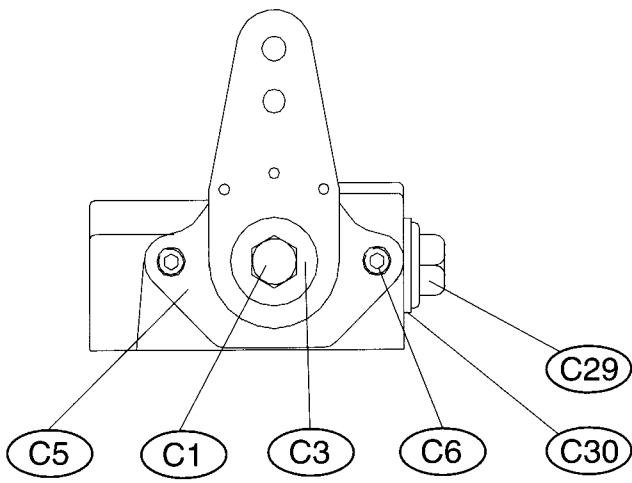


**SECTION B - OIL PUMP ASSEMBLY**

ITEM NO.	DESCRIPTION	PART NO.	QTY
B1	Oil pump (Kit)	MT0296-KIT	1
B2 *	'O' ring	002873	1
B3 *	'O' ring	001254	4
B4 **	Shims (0.002 inch)	MT1075/02	A/R
B4 **	Shims (0.010 inch)	MT1075/10	A/R
B5	Oil pipe	MT736	1
B6	Cap Head Bolt	0111312	4
B7	Washer	CP1224	4

\*Part of gasket/seal kit      MT0382

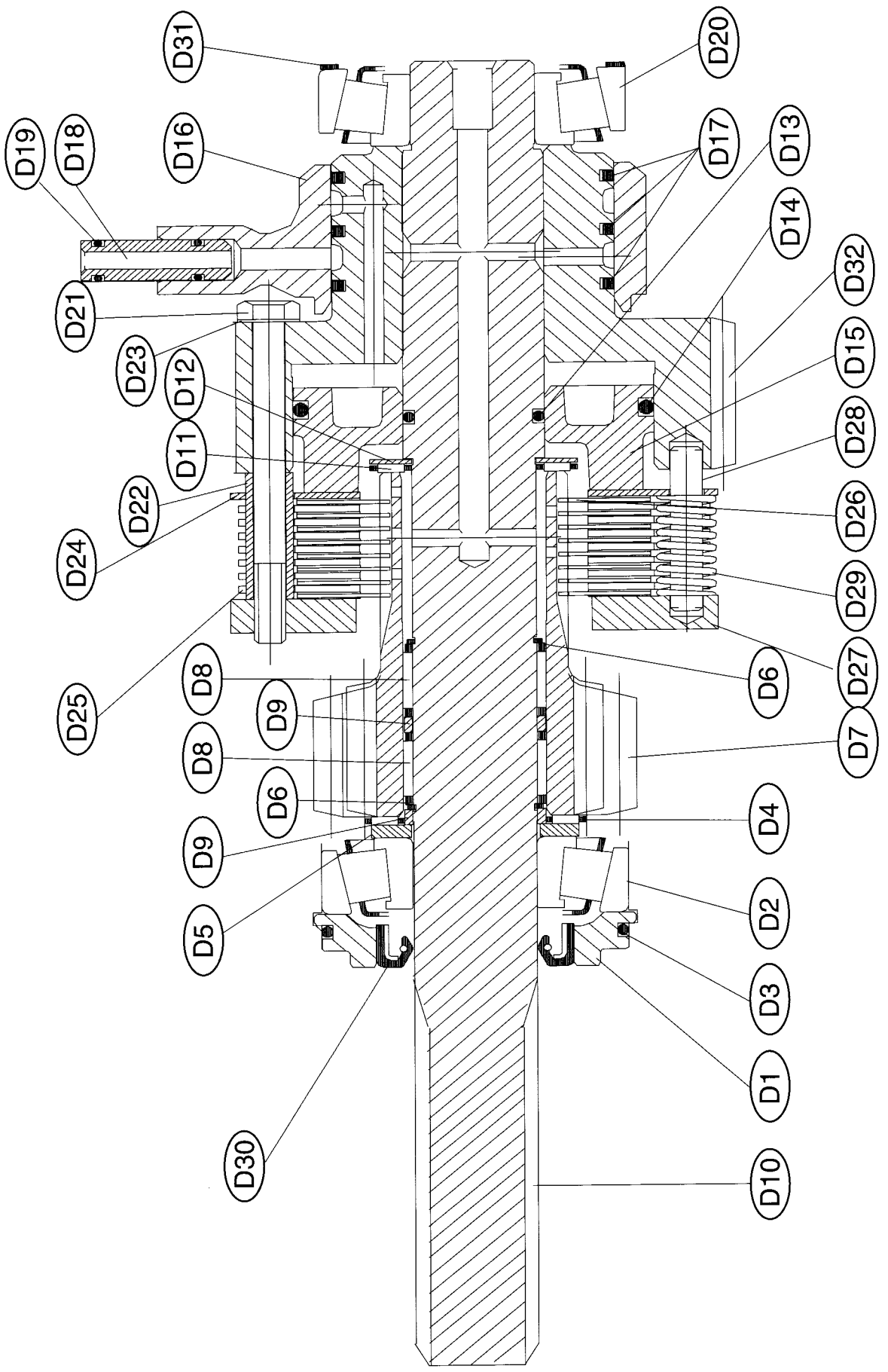
\*\* Part of shim kit          MT0067



**SECTION C - VALVE BLOCK ASSEMBLY**

ITEM NO.	DESCRIPTION	PART NO.	QTY
C	Valve block assembly	MT0354	1
C1	Screw	0040806	1
C2	Spring washer	0191105	1
C3	Washer	MT979	1
C4	Operating lever	MT977	1
C5	End cover	MT978	1
C6	Cap screw	0081220	2
C7 *	Gasket	MT1081	1
C8 *	Nu-lip seal	MT8082	1
C9	Thrust race	CP1308	1
C10	Thrust bearing	CP1307	1
C11	Control valve	MT4656	1
C12	Detent ball	CP1077	1
C13	Detent spring	MT305	1
C14	Piston	MT4751	1
C15	Valve spring 1800 Kpa (260 psi)	MT4772	1
C16	Valve block	MT4780	1
C17 *	Gasket	MT1073	1
C18	Bolt	UBF102	1
C19	Washer	CP1223	5
C20	Bolt	UBF122	1
C21	Redcap seal (transit only)	MT477	2
C22	Pressure plug	MT311	1
C23	Nut	UN505	1
C24	Washer	CP1224	1
C25	Stud	MT1079	1
C26	Screw	USF52	3
C27	Plug	CP1360	1
C27	or neutral safety switch	MT0214	1
	Switch	CP1358	1
	Ball	CP1077	1
C28	Bonded seal	0201715	1
C29	Plug	0150318	1
C30	Bonded seal	0191718	1
C31	Bonded seal	0201715	1

\* Part of valve block gasket kit MT0392 or gasket/seal kit MT0382

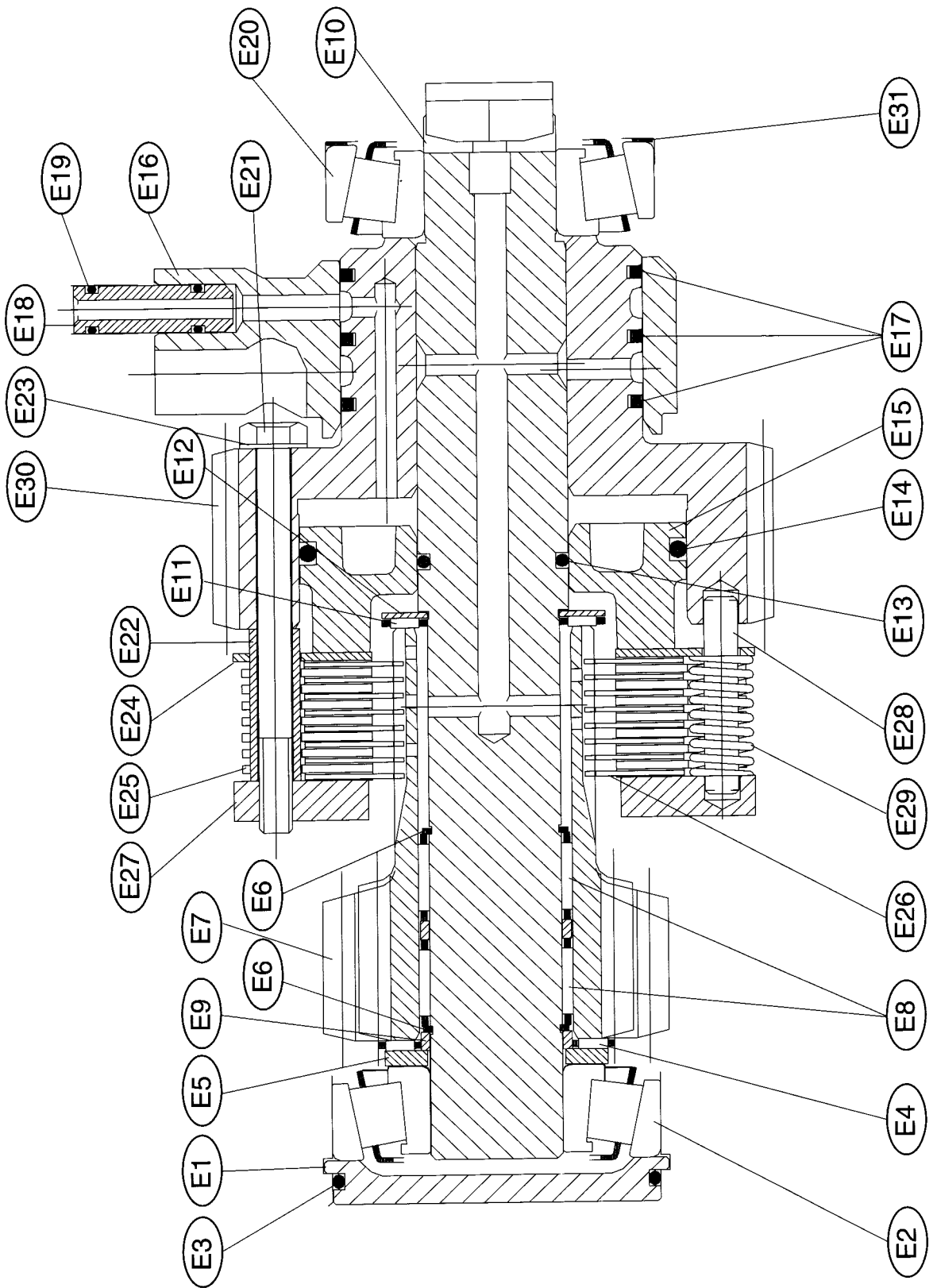


**SECTION D - INPUT SHAFT ASSEMBLY**

ITEM NO.	DESCRIPTION	PART NO.	QTY
D1	Oil seal housing	MT1615	1
D2	Taper roller bearing	0540251	1
D3 *	'O' ring	002433	1
D4	Thrust bearing	0602801	1
D5	Thrust washer	0592502	1
D6 •	Spring ring	0300250	2
D7	Pinion 1.96:1) includes 2 off D8 and D9 (27T)	MT1598S/A	1
D7	Pinion 2.94:1) includes 2 off D8 and D9 (17T)	MT1599S/A	1
D8	Needle roller bearing	0562504	2
D9	Needle bearing spacer	MT1600	2
D10	Input shaft (includes D32) not available separately	MT1596S/A-KIT	1
D11	Thrust bearing	CP1388	1
D12	Thrust washer	0592501	1
D13 *	'O' ring	001123	1
D14 *	'O' ring	002874	1
D15	Piston	MT1347	1
D16	Feeder	MT1601	1
D17 !	Piston ring	MT292	3
D18	Connector	MT1057	2
D19 *	'O' ring	000372	4
D20	Bearing	0540251	1
D21 •	Bolt	0010424	6
D22 •	Ferrule	MT730	6
D23 •	Tab strip	MT351	3
D24 •	End plate	MT117	1
D25 •	Clutch plate driven	MT116	7
D26 •	Clutch plate driver	MT731/S	8
D27 •	Clutch end cover	MT1113	1
D28 •	Pin	MT357-2	3
D29 •	Spring	MT120	3
D30 *	Input shaft oil seal	MT165	1
D31 **	Shim (0.002 inch)	MT1075/02	A/R
D31 **	Shim (0.010 inch)	MT1075/10	A/R
D32	Clutch gear (includes D10) not available separately	MT1591	1

- Part of clutch pack kit      MT0079
- ! Part of piston ring kit      MT0439
- \* Part of gasket/seal kit      MT0382
- \*\* Part of shim kit              MT0067

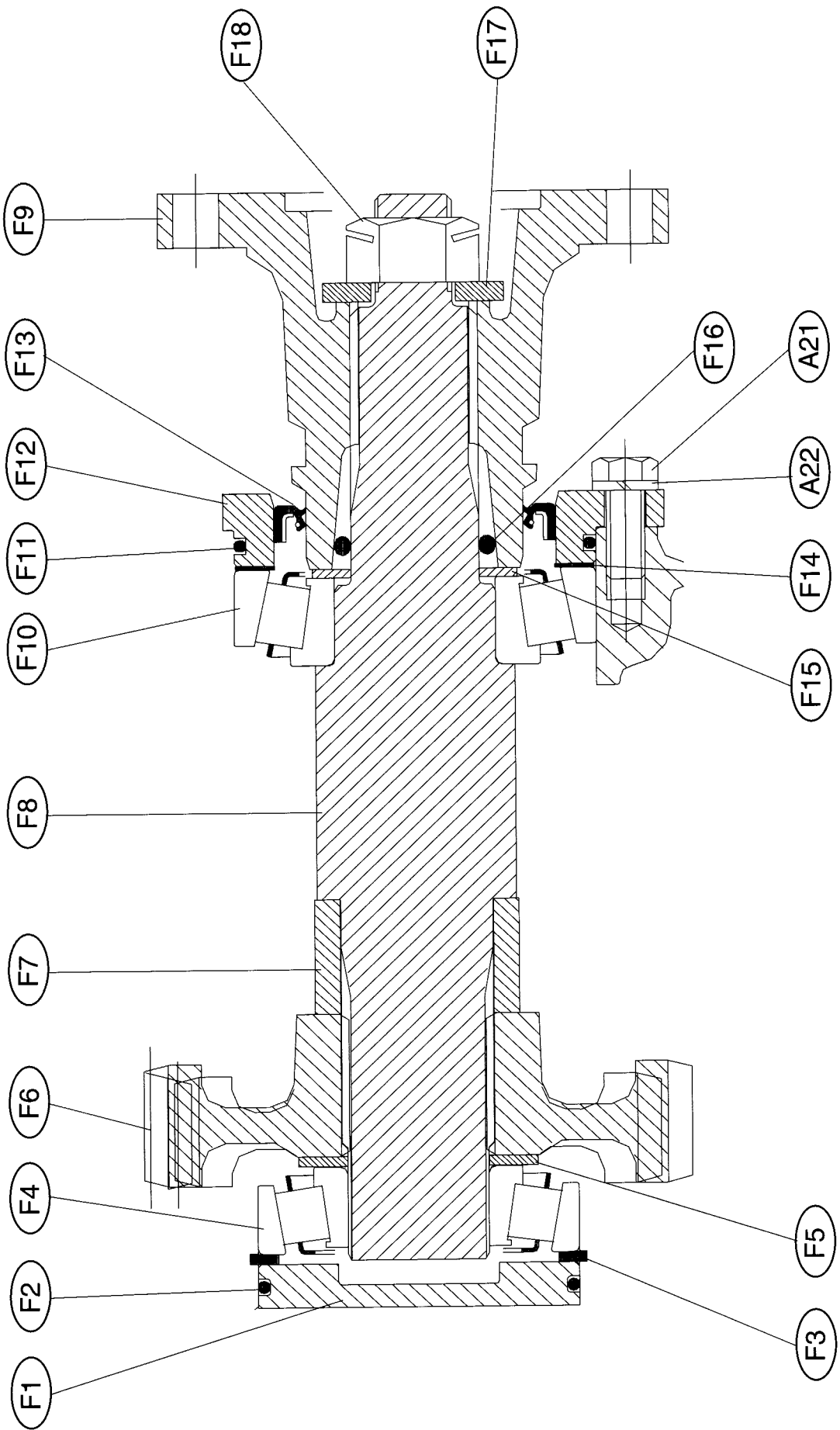




**SECTION E - LAYSHAFT ASSEMBLY**

ITEM NO.	DESCRIPTION	PART NO.	QTY
E1	End cover	MT1614	1
E2	Taper bearing	0540251	1
E3 *	'O' ring	002433	1
E4	Thrust bearing	0602801	1
E5	Thrust washer	0592502	1
E6 •	Spring ring	0300250	2
E7	Pinion 1.96:1) includes 2 off E8 and E9 (27T)	MT1598S/A	1
E7	Pinion 2.94:1) includes 2 off E8 and E9 (17T)	MT1599S/A	1
E8	Needle roller bearing	0562504	2
E9	Needle bearing spacer	MT1600	2
E10	Layshaft (includes E30) not available separately	MT1597S/A	1
E11	Thrust bearing	CP1388	1
E12	Thrust washer	0592501	1
E13 *	'O' ring	001123	1
E14 *	'O' ring	002874	1
E15	Piston	MT1347	1
E16	Feeder	MT1601	1
E17 !	Piston ring	MT292	3
E18	Connector	MT1057	2
E19 *	'O' ring	000372	4
E20	Bearing	0540251	1
E21 •	Bolt	0010424	6
E22 •	Ferrule	MT730	6
E23 •	Tab strip	MT351	3
E24 •	Clutch end plate	MT117	1
E25 •	Clutch plate driven	MT116	7
E26 •	Clutch plate driver	MT731/S	8
E27 •	Clutch end cover	MT1113	1
E28 •	Pin	MT120	3
E29 •	Spring	MT357-2	3
E30	Clutch gear (includes E10) not available separately	MT1593	1
E31 **	Shim (0.002 inch)	MT1075/02	AR
E31 **	Shim (0.010 inch)	MT1075/10	AR

- Part of clutch pack kit      MT0079
- ! Part of piston ring kit      MT0439
- \* Part of gasket/seal kit      MT0382
- \*\* Part of shim kit              MT0067

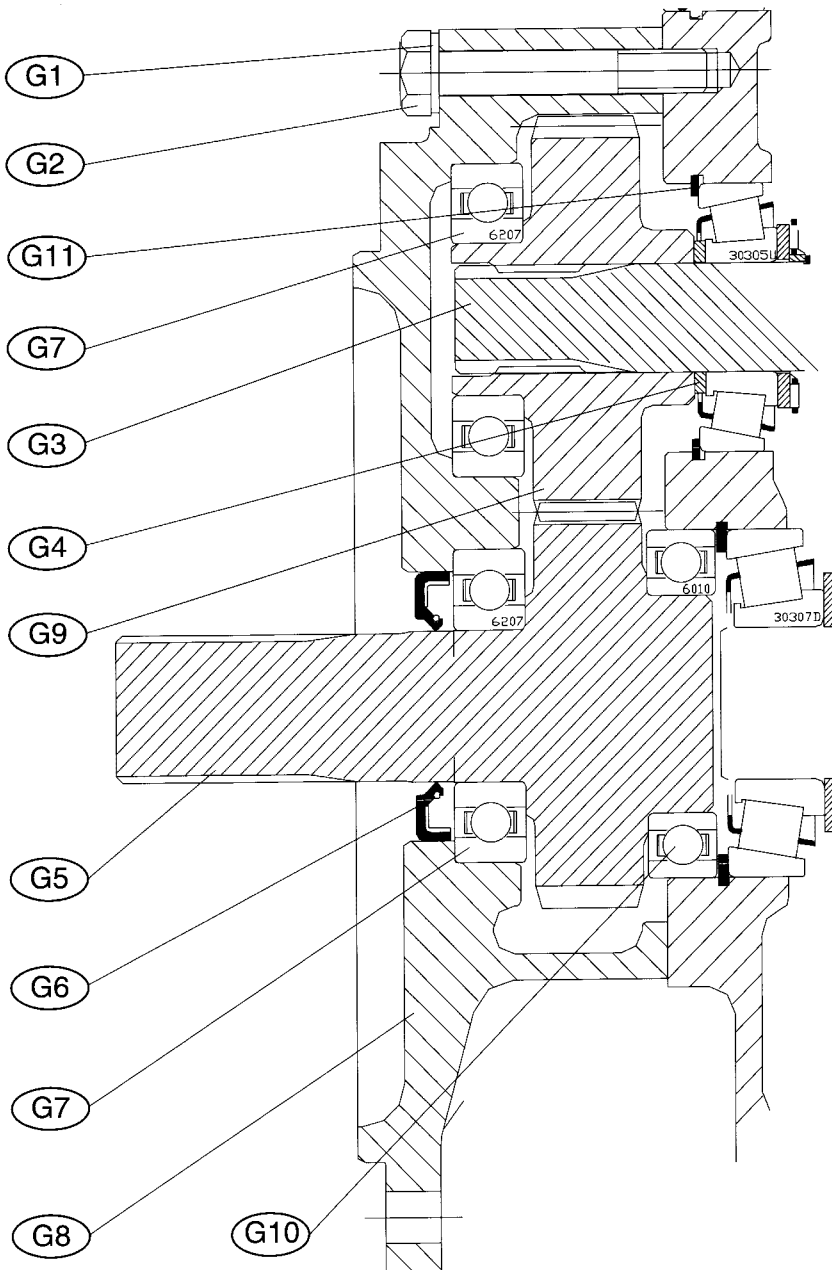
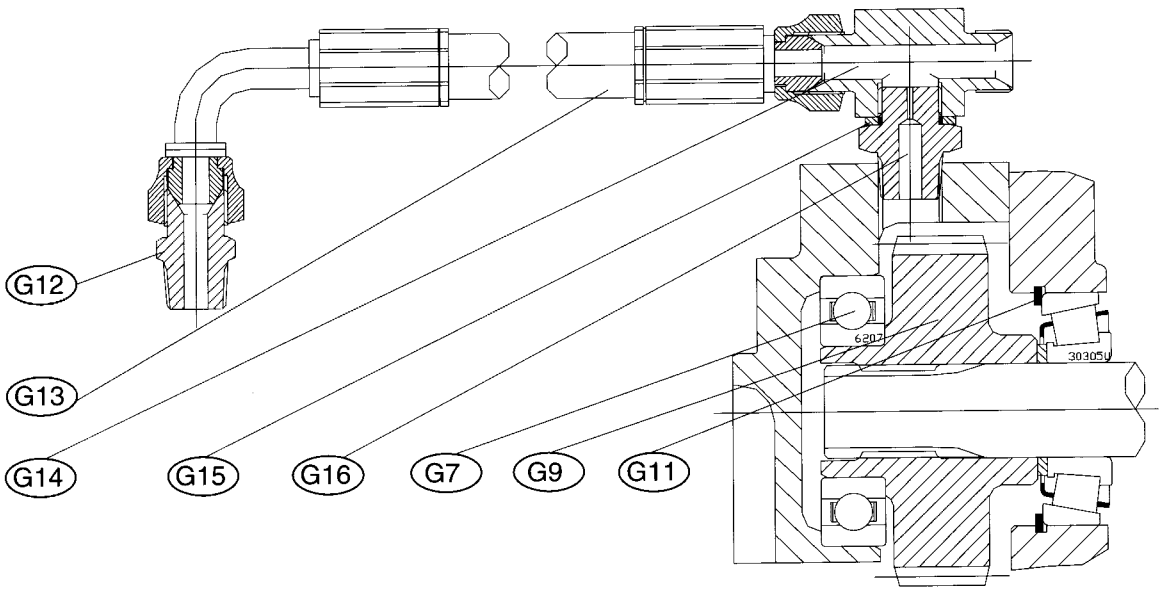


**SECTION F - OUTPUT SHAFT ASSEMBLY**

ITEM NO.	DESCRIPTION	PART NO.	QTY
F1	End cover	MT996	1
F2 *	'O' ring	003124	1
F3	Circlip	0250800	1
F4	Bearing	0540352	1
F5	Spacer	MT995	1
F6	Output gear 1.96:1 (53 teeth)	MT1100	1
F6	Output gear 2.94:1 (50 teeth)	MT1098	1
F7	Spacer	MT1102	1
F8	Output shaft	MT1097	1
F9	Output coupling	MT753	1
F10	Bearing	0540401	1
F11 *	'O' ring	003504	1
F12	End cover	MT319	1
F13	Oil seal	MT349	1
F14 **	Shim (0.002inch)	MT1076/02	AR
F14 **	Shim (0.010 inch)	MT1076/10	AR
F15	Spacer	MT1082	1
F16 *	'O' ring	001506	1
F17	Washer	0191820	1
F18	Nut	0061210	1

\* Part of gasket/seal kit      MT0382

\*\* Part of shim kit              MT0067



**SECTION G - IN-LINE UNIT**

<b>ITEM NO.</b>	<b>DESCRIPTION</b>	<b>PART NO.</b>	<b>QTY</b>
G1	Bonded seal	0201706	7
G2	Bolt M10 x 65	0041016	3
G2	Bolt M10 x 75	0041018	4
G3	Input shaft	MT1634	1
G4	Spacer	MT1636	1
G5	Input gear	MT1430	1
G6 *	Oil seal	0400351	1
G7	Bearing	CM2017	2
G8	Gearcase	MT1429	1
G9	Output gear	MT1431	1
G10	Ball bearing	0515010	1
G11	Internal circlip	0250620	1
G12	Adaptor	CP1255	1
G13	Oil pipe	MT766	1
G14	Tee piece	CP1367	1
G15	Bonded seal	0201715	1
G16	Union sub assy	MT4583	1

\* Part of gasket/seal kit      MT0382