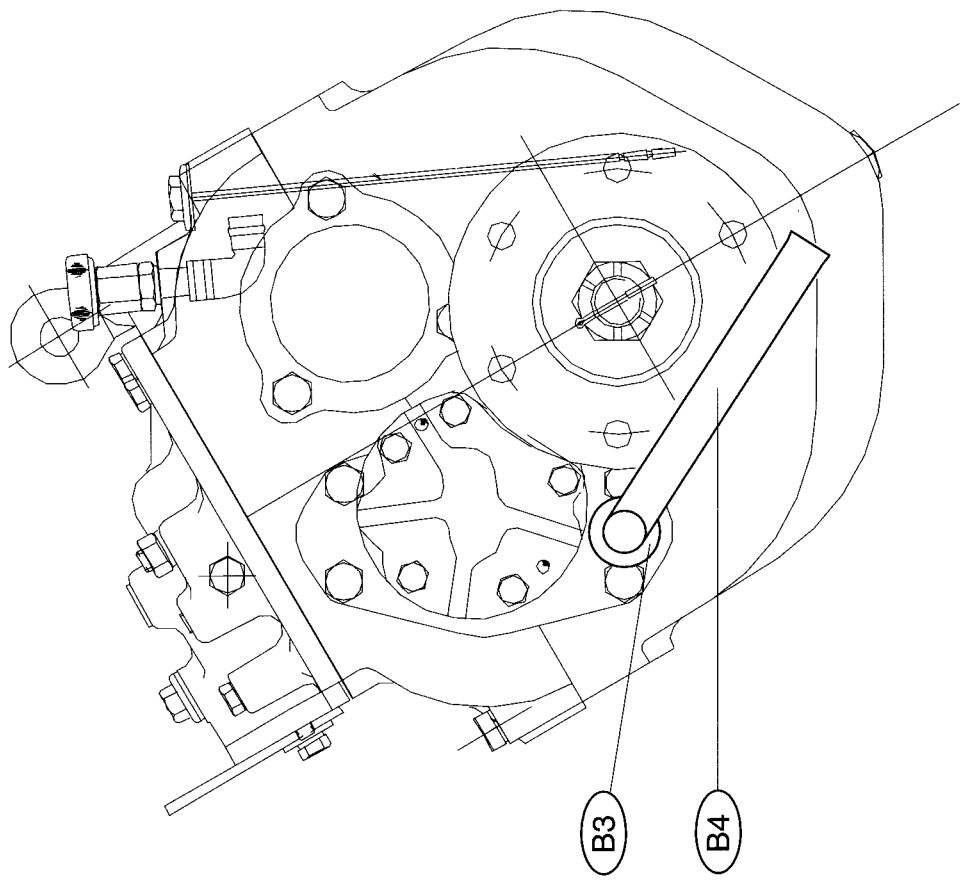
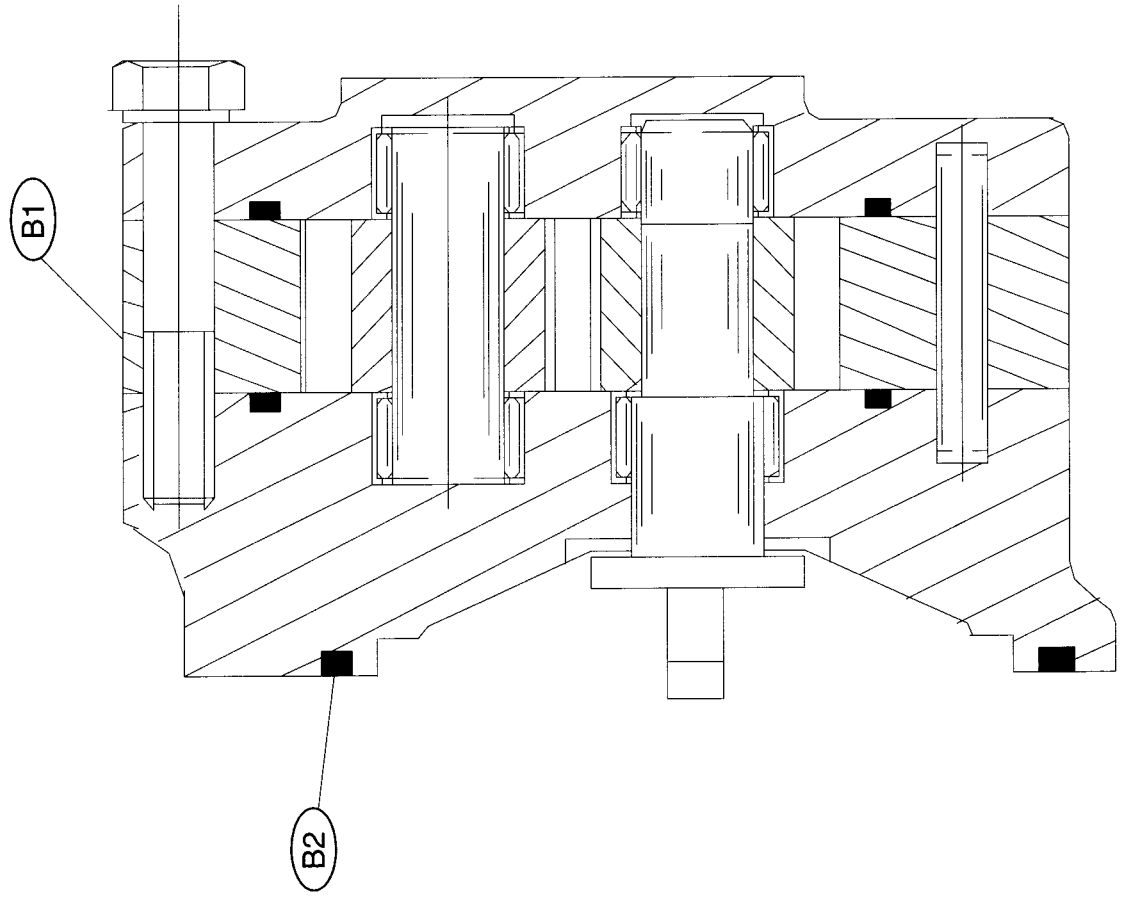


SECTION A - GEARCASE ASSEMBLY

ITEM NO.	DESCRIPTION	PART NO.	QTY
A	Case sub-assembly	MT0316	1
A1	Gearcase - top - Not supplied separately	MT1517	1
A2	Gearcase - bottom - Not supplied separately	MT1530	1
A3	Bolt	0041014	6
A4	Washer	0191710	11
A5 *	Gasket (top cover)	MT343	1
A6	Top cover	MT1467	1
A7	Screw	0040804	10
A8	Washer	CP1223	10
A9	Dipstick	MT472	1
A10	End cover	MT1267	1
A11	Screw	0041208	3
A12	Washer (spring)	0191107A	3
A14	Bolt	0041010	4
A15	Drain plug	CP1331	1
A16	Washer (dipstick)	0201714	2
A17	Eyebolt	CP1339	1
A18	Bolt	0041019	1
A19 *	'O' ring	0430771	1
A20	Breather	CP1383	1
A21	Locknut	CP1385	1
A22	Washer	CP1204	1
A23	Breather tube assembly	CP1382S/A	1

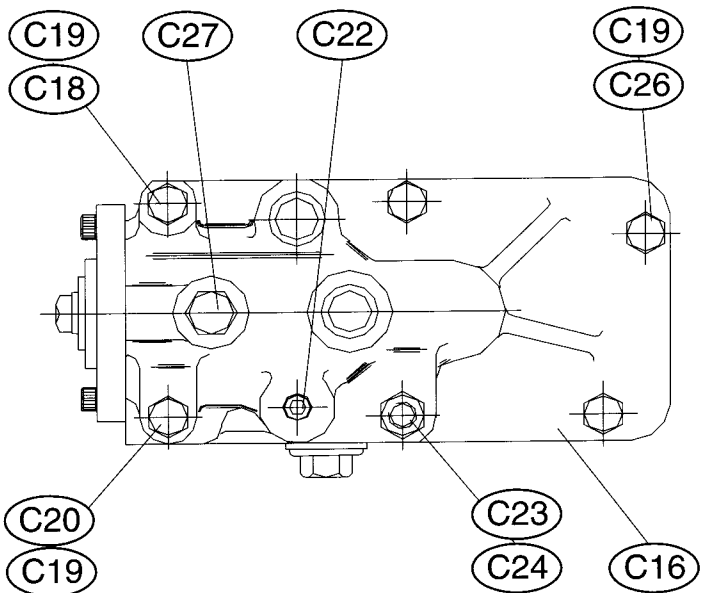
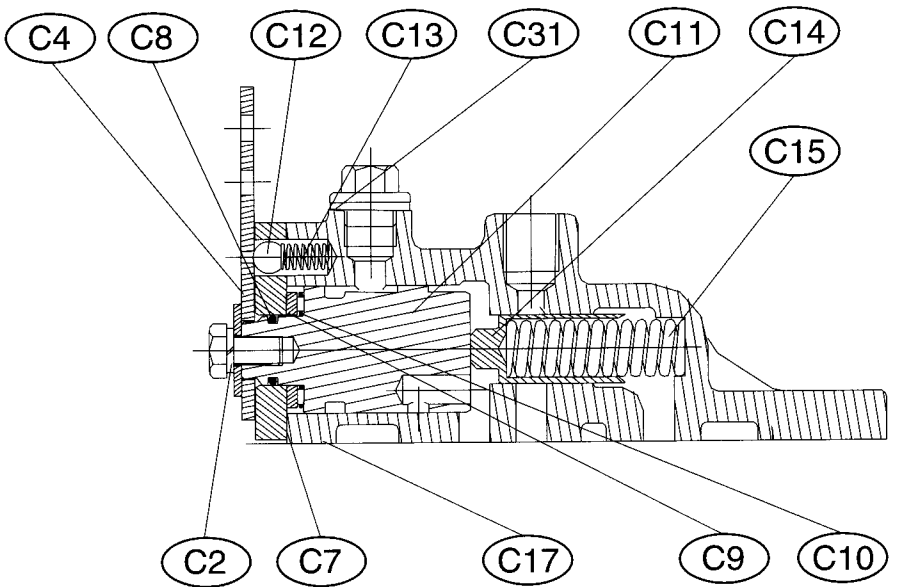
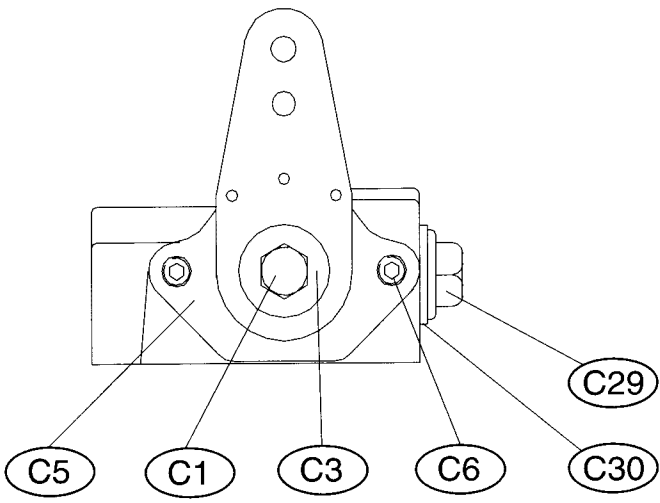
* Part of gasket/seal kit MT0434



SECTION B - OIL PUMP ASSEMBLY

ITEM NO.	DESCRIPTION	PART NO.	QTY
B1	Oil pump (Kit)	MT0412-KIT	1
B2 *	'O' ring	003383	1
B3 *	'O' ring	001254	2
B4	Oil pipe	MT736	1

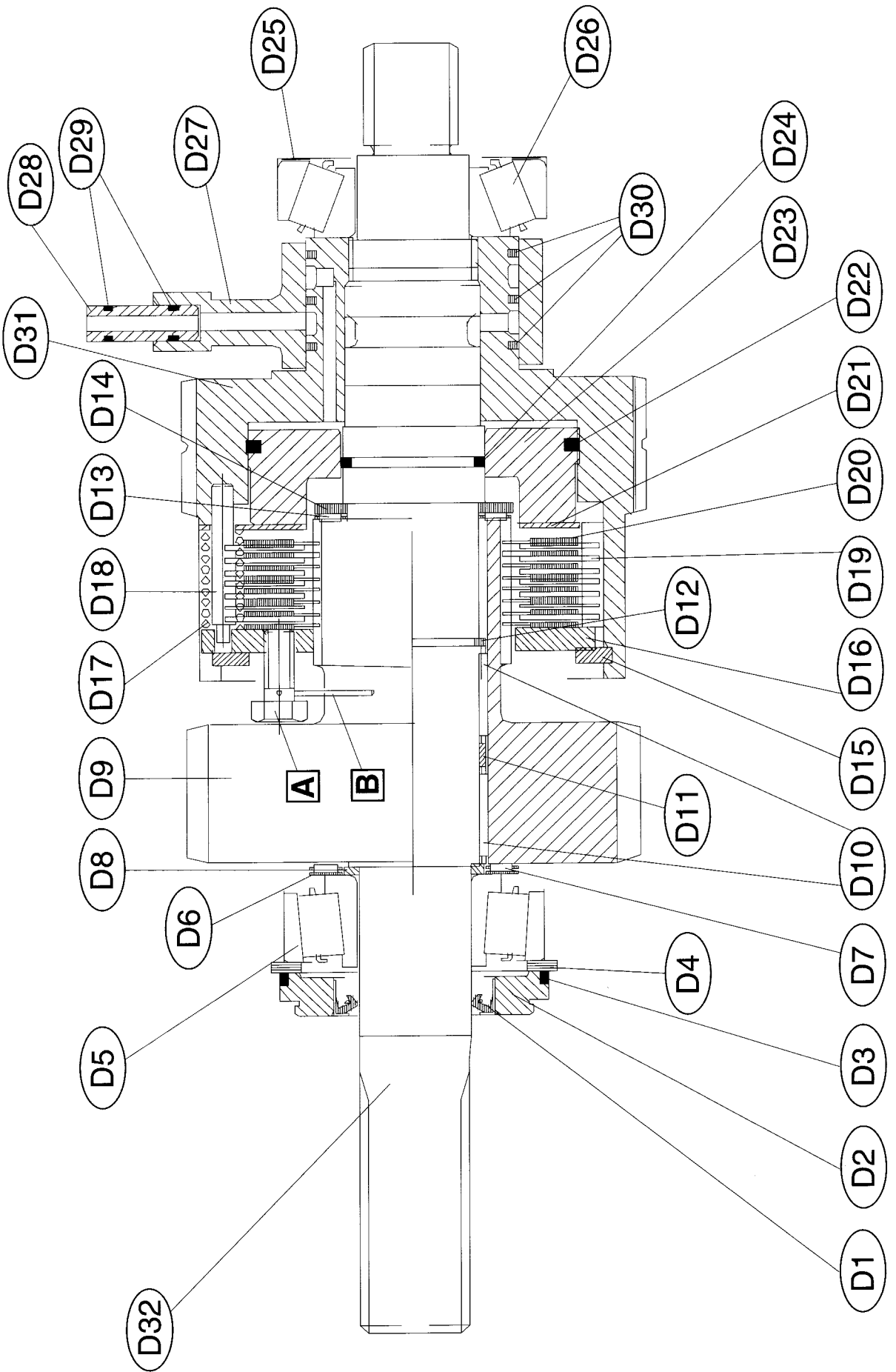
* Part of gasket/seal kit MT0434



SECTION C - VALVE BLOCK ASSEMBLY

ITEM NO.	DESCRIPTION	PART NO.	QTY
C	Valve block assembly	MT0354	1
C1	Screw	0040806	1
C2	Spring washer	0191105	1
C3	Washer	MT979	1
C4	Operating lever	MT977	1
C5	End cover	MT978	1
C6	Cap screw	0081220	2
C7 *	Gasket	MT1081	1
C8 *	Nu-lip seal	MT8082	1
C9	Thrust race	CP1308	1
C10	Thrust bearing	CP1307	1
C11	Control valve	MT4656	1
C12	Detent ball	CP1077	1
C13	Detent spring	MT305	1
C14	Piston	MT4751	1
C15	Valve spring 1800 Kpa (260 psi)	MT4772	1
C16	Valve block	MT4780	1
C17 *	Gasket	MT1073	1
C18	Bolt	0040812	1
C19	Washer	CP1223	5
C20	Bolt	0040815	1
C21	Redcap seal (transit only)	MT477	2
C22	Pressure plug	MT311	1
C23	Nut	0051001	1
C24	Washer	0191710	1
C25	Stud	MT1292	1
C26	Screw	0040808	3
C27	Plug	CP1360	1
or			
C27	Switch and ball assy	MT0214	1
C28	Bonded seal	0201715	1
C29	Plug (M18 pressure port)	0150318	1
C30	Bonded seal	0191718	1
C31	Bonded seal	0201715	1

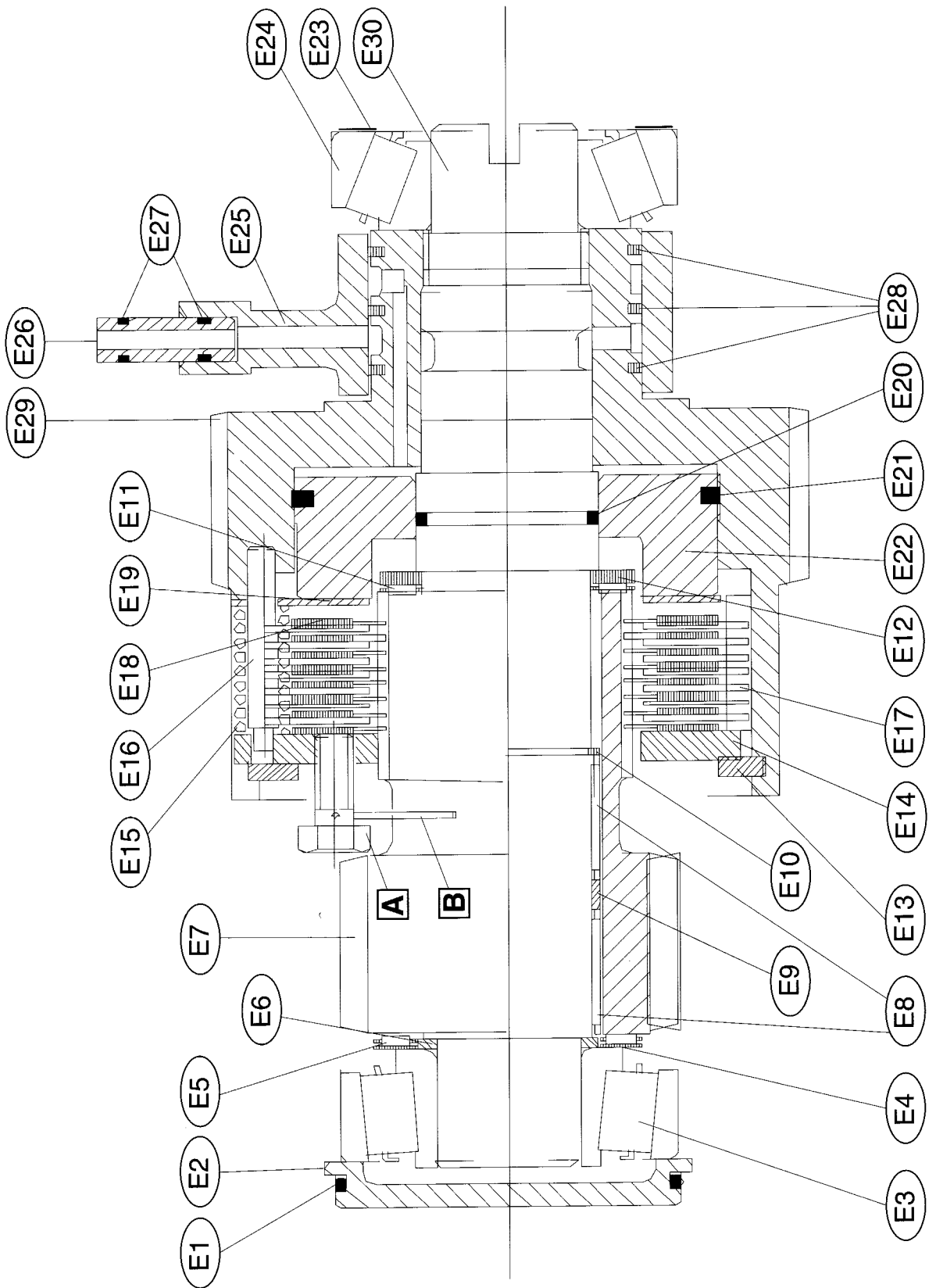
* Part of valve block gasket kit MT0392 or gasket/seal kit MT0434



SECTION D - INPUT SHAFT ASSEMBLY

ITEM NO.	DESCRIPTION	PART NO.	QTY
D1 *	Oil seal	MT251	1
D2	Oil seal housing	MT1514	1
D3 *	'O' ring	04306725	1
D4	Thrust washer	MT1516	1
D5	Bearing cup	055U044	1
	Bearing cone	055C019	1
D6	Thrust washer	0673801	1
D7	Thrust bearing	0603801	1
D8	Spacer	MT1471	1
D9	Pinion (1.5:1) 37T	MT1583	1
D9	Pinion (2:1) 31T	MT1475	1
D9	Pinion (2.5:1) 23T	MT1476	1
D9	Pinion (3:1) 21T	MT1477	1
D10	Needle roller bearing	0563501	2
D11	Spacer	MT1472	1
D12	Snap ring	0300350	1
D13	Thrust bearing	0603501	1
D14	Thrust washer	0673503	1
D15 •	Circlip	0251020	1
D16 •	Clutch end cover	MT1484S/A	1
D17 •	Spring	MT1067	3
D18 •	Clutch pin	MT1485	3
D19 •	Clutch plate - driven	MT982	7
D20 •	Clutch plate - driver	MT725/S	8
D21 •	End plate	MT983	1
D22 *	Piston 'O' ring	003504	1
D23	Piston	MT1264	1
D24 *	Piston 'O' ring	0421503	1
D25 **	Shim 0.002"	MT1077/02	AR
	Shim 0.010"	MT1077/10	AR
	Shim 0.031"	MT1077/31	AR
D26	Bearing	0540302	1
D27	Feeder	MT380	1
D28	Feeder connector	MT1057	2
D29 *	Feeder 'O' ring	000372	4
D30 !	Piston ring	MT292	3
D31	Clutch gear	MT4853	1
D32	Input shaft	MT4935	1

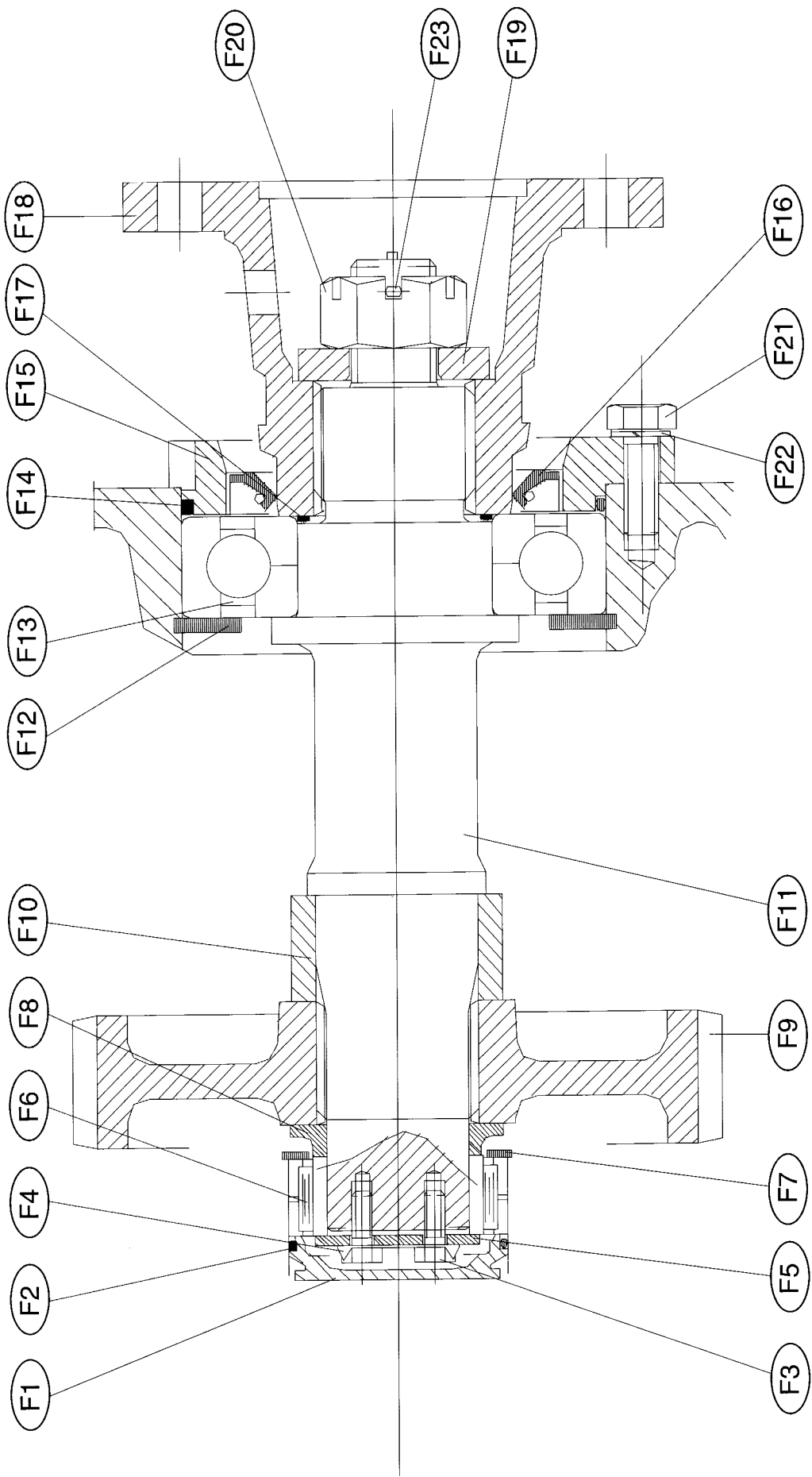
- Part of clutch pack kit MT0349
- * Part of gasket/seal kit MT0434
- ! Part of piston ring kit MT0439
- ** Part of shim kit MT0068



SECTION E - LAYSHAFT ASSEMBLY

ITEM NO.	DESCRIPTION	PART NO.	QTY
E1 *	'O' ring	04306725	1
E2	End cover	MT1515	1
E3	Bearing cup	055U044	1
	Bearing cone	055C019	1
E4	Thrust washer	0673801	1
E5	Thrust bearing	0603801	1
E6	Spacer	MT1471	1
E7	Drive pinion (1.5:1) 37T	MT1583	1
E7	Drive pinion (2:1) 31T	MT1475	1
E7	Drive pinion (2.5:1) 23T	MT1476	1
E7	Drive pinion (3:1) 21T	MT1477	1
E8	Needle roller bearing	0563501	2
E9	Spacer	MT1472	1
E10	Snap ring	0300350	1
E11	Thrust bearing	0603501	1
E12	Thrust washer	0673503	1
E13 •	Circlip	0251020	1
E14 •	Clutch end cover	MT1484S/A	1
E15 •	Spring	MT1067	3
E16 •	Clutch pin	MT1485	3
E17 •	Clutch plate - driven	MT982	7
E18 •	Clutch plate - driver	MT725/S	8
E19 •	End plate	MT983	1
E20 *	Piston 'O' ring	0421503	1
E21 *	Piston 'O' ring	003504	1
E22	Piston	MT1264	1
E23 **	Shim 0.002"	MT1077/02	AR
E23 **	Shim 0.010"	MT1077/10	AR
E23 **	Shim 0.031"	MT1077/31	AR
E24	Bearing	0540302	1
E25	Feeder	MT380	7
E26	Feeder connector	MT1057	2
E27 *	Feeder 'O' ring	000372	4
E28 !	Piston ring	MT292	3
E29	Clutch gear	MT4854	1
E30	Layshaft	MT1500	1

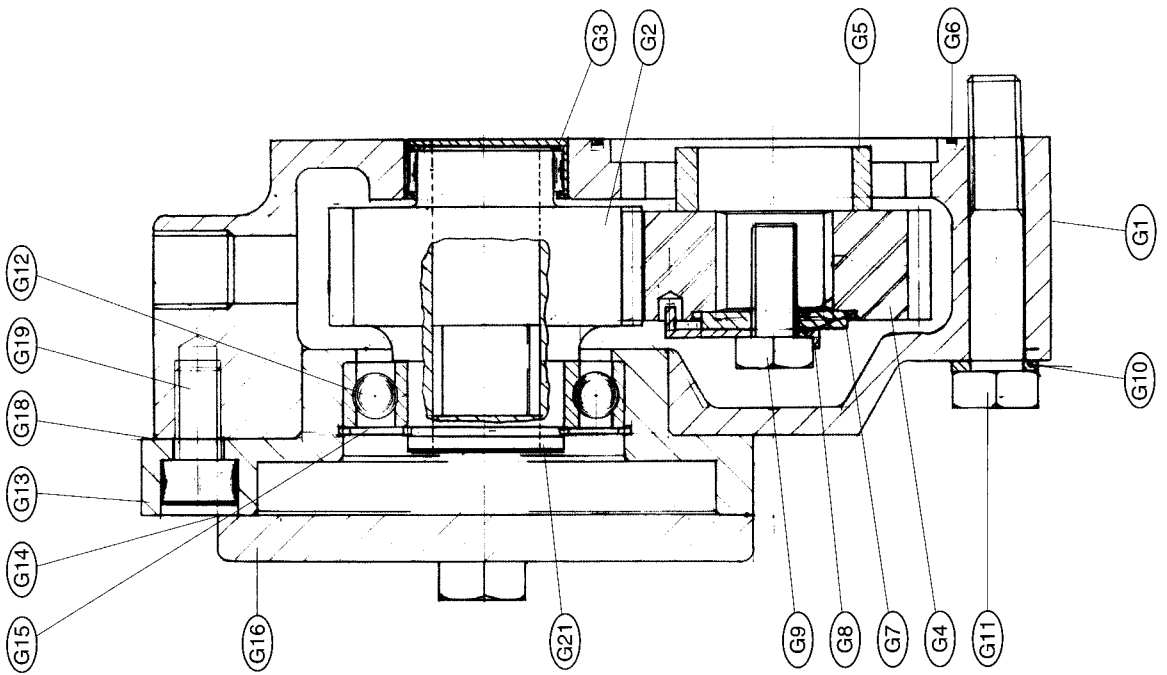
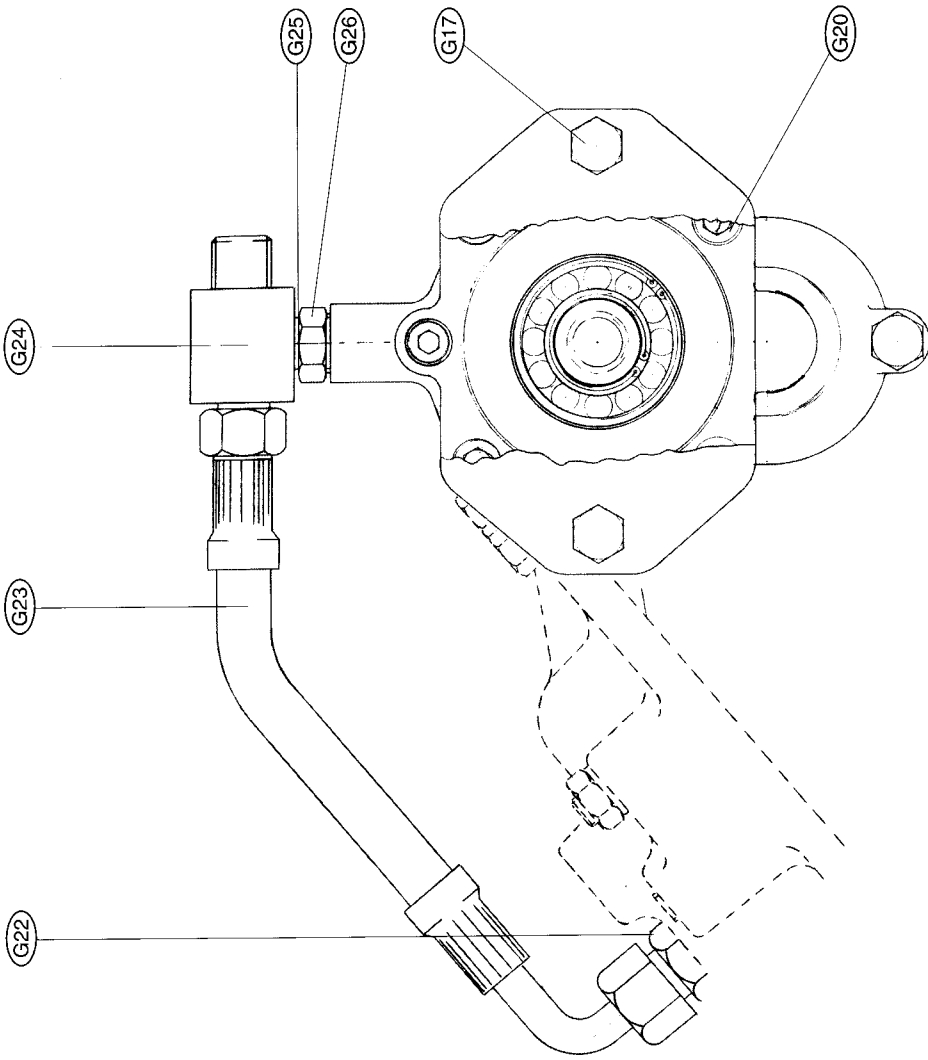
- Part of clutch pack kit MT0349
- ! Part of piston ring kit MT0439
- * Part of gasket/seal kit MT0434
- **Part of shim kit MT0068



SECTION F - OUTPUT SHAFT ASSEMBLY

ITEM NO.	DESCRIPTION	PART NO.	QTY
F1	End cover	MT1529	1
F2 *	'O' ring	04305725	1
F3	Screw	0040606	2
F4	Special tab	MT986	1
F5	Bearing retaining washer	MT984	1
F6	Needle bearing	0564001	1
F7	Circlip	0250620	1
F8	Spacer	MT987	1
F9	Output gear 1.459:1 (54T)	MT1585	1
F9	Output gear 1.935:1 (60T)	MT1254	1
F9	Output gear 2.565:1 (59T)	MT1419	1
F9	Output gear 2.904:1 (61T)	MT1316	1
F10	Spacer	MT717	1
F11	Output shaft	MT1423	1
F12	Circlip	CP1194	1
F13	Bearing	MT451	1
F14 *	'O' ring	004754	1
F15	End cover	MT1424	1
F16 *	Oil seal	MT252	1
F17 *	'O' ring	002123	1
F18	Output coupling	MT755	1
F19	Washer	MT1251	1
F20	Nut	MT1488	1
F21	Screw	0041009	4
F22	Spring washer	0191106	4
F23	Split pin	024M345	1

* Part of gasket/seal kit MT0434



SECTION G - POWER TAKE-OFF

ITEM NO.	DESCRIPTION	PART NO.	QTY
G	Power Take-Off	MT0193	1
G1	PTO housing	MT1300	1
G2	Driven gear	MT1297	1
G3	Needle bearing	0563003	1
G4	Driving gear	MT1296	1
G5	Spacer	MT1589	1
G6 *	'O' ring	0430771	1
G7	Washer	MT1301	1
G8	Tab washer	MT1302	1
G9	Screw	0041008	1
G10	Spring washer	0191107	3
G11	Bolt	0041216	1
G12	Ball bearing	40M433	1
G13	Adaptor flange	MT1299	1
G14	Gasket 4 bolt	MT1307	1
G14	Gasket 2 bolt	MT5012	1
G15	Circlip	0250620	1
G16	Cover plate	MT1293	1
G17	Screw	0041208	2
G18	Gasket	MT1303	1
G19	Cap screw	0081520	1
G20	Cap screw	0081685	2
G21	Circlip	CM2067	1
G22	Adaptor	CP1255	1
G23	Oil pipe	MT766	1
G24	Tee piece	CP1367	1
G25	Washer	0201715	1
G26	Metering union	MT4583	1

* Part of gasket/seal kit MT0434