

Marine Turbine Series

Replacement Parts

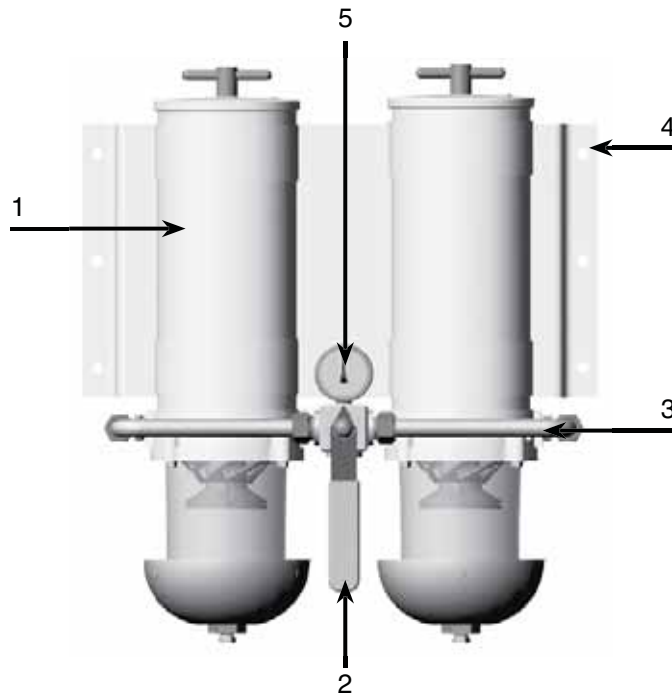
751000MAX

<u>Part Number</u>	<u>Description</u>
1. 1000MA	Refer to model 1000MA for a complete part breakdown.
2. RK 19473 RK 19506	6 Port Valve Assembly Kit Stem Service Kit
3. RK 19475	Rigid Tubing Assembly Kit
4. RK 11-1777	Dual unit Bracket Kit
5. RK11-1676E	Gauge Assembly Kit

Additional Parts (not shown)

RK 19492	UL Listed Brass Marine Drain Valve Kit (two for use with this unit)
19519	Installation Instructions

751000MAX Certifications



Marine Turbine Series

Replacement Parts

1000MA and 1003MA

<u>Part Number</u>	<u>Description</u>
1. RK 11888	T-handle Kit (includes o-ring)
2. RK 11-1933-04	Lid Kit (includes #3)
3. 11007	Lid Gasket
4. Replacement Element (includes #3)	
2020SMOR	2 Micron Element
2020TMOR	10 Micron Element
2020PMOR	30 Micron Element
5. RK11-2006	Turbine Body Bracket Kit
6. N/A	Base/Outer Cylinder Kit
7. RK 11028B	Checkball and Seal Kit
8. RK 11026D	Turbine/Centrifuge Kit (includes # 7, 8 & 9)
9. 11007	Bowl O-ring
10. RK 11-1606-1	Clear Bowl Kit (includes # 9 & 13)
RK 11734-03	Metal Bowl (painted white)
11. RK 11037A	Bowl Ring Kit (includes #12)
12. RK 11542	Capscrew Kit (4 screws) (1/4"-20 x 1")
13. RK 11341	Bowl Drain Gasket Kit
RK 11340	Drain Fitting O-ring
14. RK 11868¹	Heat Deflector Kit (includes #'s 13-15)
15. 918-N4	Bowl Plug (1/4" NPT)
RK 11-1910	Bowl Drain Fitting Kit
Additional Parts (not shown)	
RK 20022	Probe Port Plug Kit
RK 19492	Shut-off Drain Valve Kit
RK 21069²	Water Probe Kit (MA Bowls)
RK 11-1679	Plastic Plug Kit
RK 11-1404	Complete Service Kit
19526	Installation Instructions

¹For replacement only. The Coast Guard does not accept 'FH' units converted to 'MA' configurations.

²For diesel service only. Must be used with a Water Detection Kit.

