

Marine Turbine Series

Replacement Parts

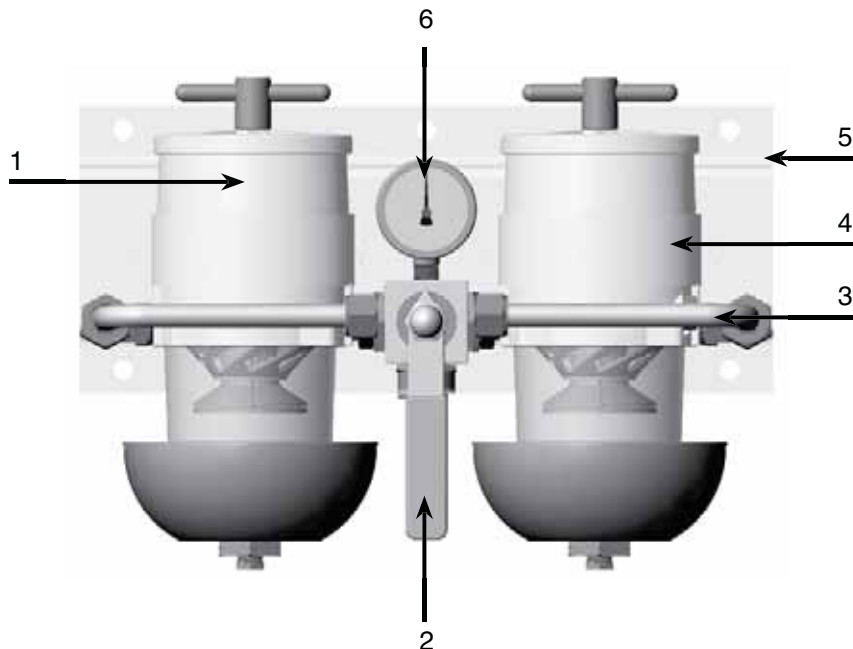
75500MAX

Part Number	Description
1. 500MA	Refer to model 500MA for a complete part breakdown
2. RK 15390	6 Port Valve Kit
3. RK 15391 RK15419	Rigid Tubing Kit
4. RK 15378	Body Clamp Bracket Kit (One-Piece)
RK 15300	Body Clamp Bracket Kit (Three-Piece)
5. RK 15329	Mounting Bracket Kit
6. RK11-1676E	Gauge Kit

Additional Parts (not shown)

RK 19492	UL Listed Brass Marine Drain Kit (two for use with this unit)
15349	Installation Instructions

75500MAX Certifications



Marine Turbine Series

Replacement Parts

500MA and 503MA

Part Number	Description
1. RK 11888	T-handle Kit (includes o-ring)
2. RK15078-02	MA Lid Kit (white) (includes #3)
3. 15005	Lid Gasket
4. Replacement Elements (includes #3)	
2010SM-OR	2 Micron
2010TM-OR	10 Micron
2010PM-OR	30 Micron
5. RK 15090	Mounting Bracket Kit
6. 15418-09	500MA Body (3/4"-16 UNF Ports)
15418-08	500MA Body (16MM ports)
15418-10	503MA Body (3/8" NPTF Ports)
7. RK 15010B	Checkball Kit (includes seal)
8. RK 15013D	Turbine/Centrifuge Kit
9. 15374	Bowl Gasket
10. RK 15279-01	Clear Bowl Kit (includes #9)
RK 15301-02	Metal Bowl Kit (includes #9)
11. RK 20022	Probe Port Plug Kit
12. RK 15035-01	Bowl Ring (includes # 9)
13. RK 15081	Capscrew Kit (10-24 x 7/8") (includes 4 capscrews)
14. RK 11340	Drain Fitting O-ring Kit
15. RK 15104¹	Heat Deflector Shield Kit (includes #'s 14 & 16)
16. RK 11-1910	Drain Fitting Kit (includes # 14)

Additional Parts (not shown)

RK 11341	Drain Washer
RK 19492	Marine Shut-off Valve Kit
RK 21069²	Water Probe Kit
RK 15211	Complete Seal Service Kit
15335	Installation Instructions

¹For replacement only. The Coast Guard does not accept 'FH' units converted to 'MA' configurations.

²For diesel service only. Must be used with a water Detection Kit.

