

## Marine Turbine Series

### Replacement Parts

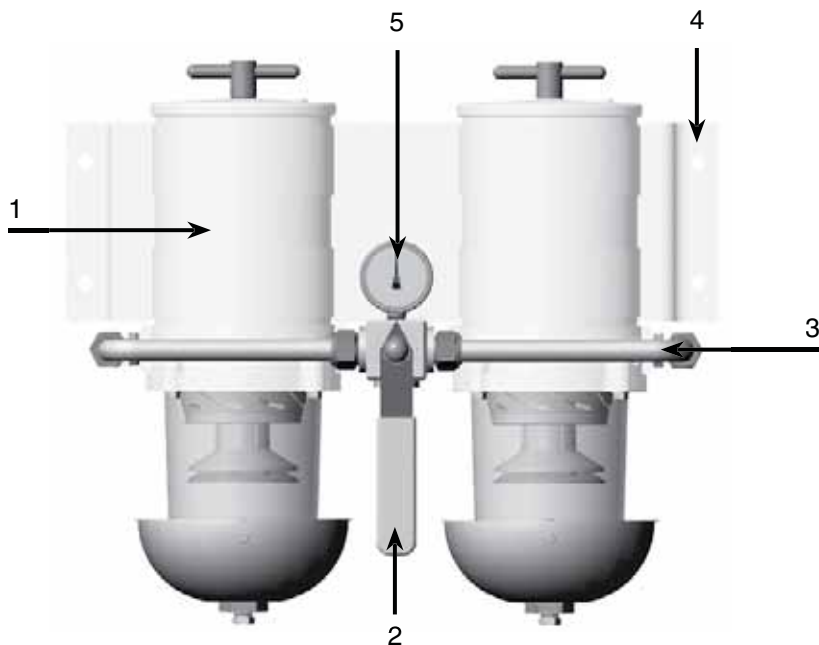
#### 75900MAX

<u>Part Number</u>	<u>Description</u>
1. <b>900MA</b>	Refer to model 900MA for a complete part breakdown.
2. <b>RK 19473</b>	6 Port Valve Kit
<b>RK 19506</b>	Valve Service Kit
3. <b>RK 19475</b>	Rigid Tubing Kit
4. <b>RK 19486</b>	Dual unit Bracket Kit
5. <b>RK11-1676E</b>	Gauge Assembly Kit

#### Additional Parts (not shown)

<b>RK 19492</b>	UL Listed Brass Marine Valve Kit (two for use with this unit)
<b>19519</b>	Installation Instructions

#### 75900MAX Certifications



## Marine Turbine Series

### Replacement Parts

#### 900MA and 903MA

	<u>Part Number</u>	<u>Description</u>
1.	<b>RK 11888</b>	T-handle Kit (includes o-ring)
2.	<b>RK 11-1933-04</b>	Lid Kit (includes #3)
3.	<b>11007</b>	Lid O-ring
4.	Replacement Element (includes #3)	
	<b>2040SM-OR</b>	2 Micron Element
	<b>2040TM-OR</b>	10 Micron Element
	<b>2040PM-OR</b>	30 Micron Element
5.	<b>RK11-2006</b>	Body Clamp Bracket Kit
6.	<b>N/A</b>	Base/Outer Cylinder Kit (includes # 9)
7.	<b>RK 11028B</b>	Checkball and Seal Kit
8.	<b>RK 11026D</b>	Turbine/Centrifuge Kit
9.	<b>11007</b>	Bowl O-ring
10.	<b>RK 11-1606-1</b>	Clear Bowl Kit (includes # 9)
	<b>RK 11734-03</b>	Metal Bowl (painted white)
11.	<b>RK 11037A</b>	Bowl Ring Kit
12.	<b>RK 11542</b>	Capscrew Kit (1/4"-20 x 1") (includes 4 capscrews)
13.	<b>RK 11341</b>	Bowl Drain Gasket Kit
	<b>11041</b>	Bowl Drain Washer
14.	<b>RK 11868<sup>1</sup></b>	Heat Deflector Shield
15.	<b>RK 11-1910</b>	Drain Fitting Kit
	<b>RK 11340</b>	Drain O-ring Kit
16.	<b>RK 20022</b>	Probe Port Plug Kit

#### Additional Parts (not shown)

<b>RK 19492</b>	Marine Shut-off Valve Kit
<b>RK 21069</b>	Water Probe Kit
<b>RK 11-1679</b>	Plastic Body Plug Kit
<b>RK 11-1404</b>	Complete Seal Service Kit
<b>19526</b>	Installation Instructions
<b>N/A</b>	Base with 22x1.5 mm ports

<sup>1</sup>For replacement only. The Coast Guard does not accept 'FH' units converted to 'MA' configurations.

