

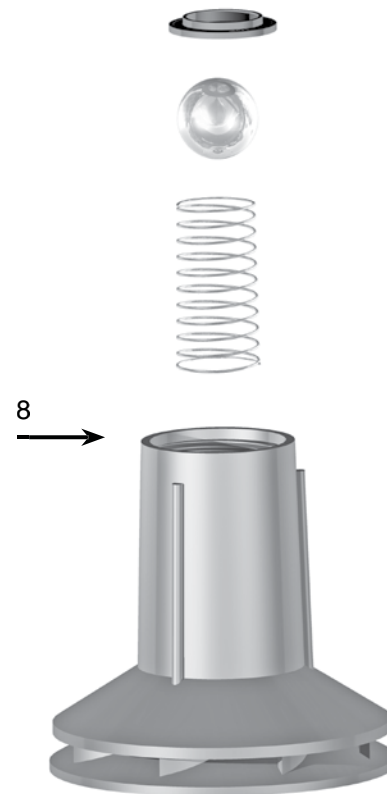
Marine Turbine Series

Replacement Parts

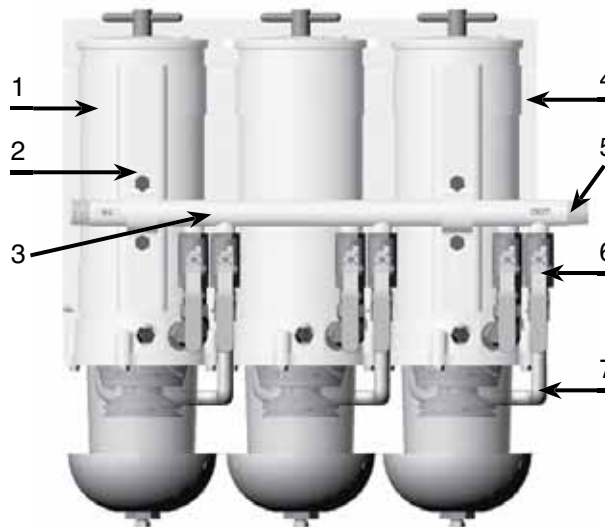
791000MAV

Part Number	Description
1 1000MA	Refer to model 1000MA for a complete part breakdown.
2 11-1632	Triple unit Bracket
3 19460	Inlet Manifold
4 RK11-2008	Bracket Kit
5 19461	Outlet Manifold
6 RK 11073	1/2" Ball Valve Kit
7 11-1626	Formed Tubing Assembly
Additional Parts (not shown)	
RK 19492	UL Listed Brass Marine Drain Valve Kit (three for use with this unit)
19523	Installation Instructions
8 RK11-1978	Checkball and spring kit for turbines

For water detection kits and manifold conversion kits - see the marine accessories section.



791000MAV Certifications



Marine Turbine Series

Replacement Parts

1000MA and 1003MA

<u>Part Number</u>	<u>Description</u>
1. RK 11888	T-handle Kit (includes o-ring)
2. RK 11-1933-04	Lid Kit (includes #3)
3. 11007	Lid Gasket
4. Replacement Element (includes #3)	
2020SMOR	2 Micron Element
2020TMOR	10 Micron Element
2020PMOR	30 Micron Element
5. RK11-2006	Turbine Body Bracket Kit
6. N/A	Base/Outer Cylinder Kit
7. RK 11028B	Checkball and Seal Kit
8. RK 11026D	Turbine/Centrifuge Kit (includes # 7, 8 & 9)
9. 11007	Bowl O-ring
10. RK 11-1606-1	Clear Bowl Kit (includes # 9 & 13)
RK 11734-03	Metal Bowl (painted white)
11. RK 11037A	Bowl Ring Kit (includes #12)
12. RK 11542	Capscrew Kit (4 screws) (1/4"-20 x 1")
13. RK 11341	Bowl Drain Gasket Kit
RK 11340	Drain Fitting O-ring
14. RK 11868¹	Heat Deflector Kit (includes #'s 13-15)
15. 918-N4	Bowl Plug (1/4" NPT)
RK 11-1910	Bowl Drain Fitting Kit
Additional Parts (not shown)	
RK 20022	Probe Port Plug Kit
RK 19492	Shut-off Drain Valve Kit
RK 21069²	Water Probe Kit (MA Bowls)
RK 11-1679	Plastic Plug Kit
RK 11-1404	Complete Service Kit
19526	Installation Instructions

¹For replacement only. The Coast Guard does not accept 'FH' units converted to 'MA' configurations.

²For diesel service only. Must be used with a Water Detection Kit.

