

Established 1958



Marine Products for Power & Sail

# PHII and PHEII



Mid-priced, high quality, non-macerating manual or electric toilet. Reliable, high-quality design uses sea or lake water.

## Benefits

- Good choice for sailboats and mid-size powerboats
- Simple design means economical, trouble-free quiet operation
- Powerful flushing action
- Simple and flexible installation for mounting above or below waterline
- Easy to clean and maintain
- Dry pumping is easier because air vent reduces back pressure
- Electric model can be switched to manual operation
- Double action piston pump simultaneously draws new flush water as it discharges the wastewater
- Can be used with on-board treatment systems (such as the Lectra/San®) and/or holding tanks
- Each unit is assembled by hand, individually tested and backed by Raritan's one-year Limited Warranty and legendary technical support team

## Options

- Easy to convert from manual to electric toilet with upgrade kit.
- Electric models available for 12, 24, 32V DC or 120/240V AC
- Choice of full-size household-style or marine-size white porcelain bowl
- Can be mounted for pumping on either left or right side

*Raritan manufactures equipment for pleasure boats throughout the world. Products include marine toilets, waste treatment systems, icemakers and water heaters.*

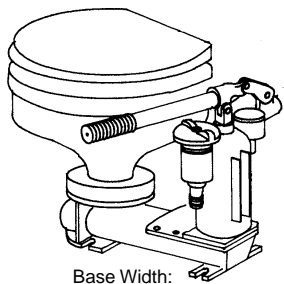
*Committed to the environment and preserving sea life, Raritan designs products to help maintain an environmental balance and ensure the quality of marine waters. In addition, the company has achieved ISO 9001:2000 certification for quality.*

## ***Innovation Through Experience***

## PHII & PHEII

Height:  
14 1/4" (36.3cm)  
Household  
14 1/6" (36cm)  
Marine

Width:  
18 1/4" (46.5cm)  
Household  
17 3/4" (45.4cm)  
Marine



Base Width:  
15 3/8" (39.1cm)

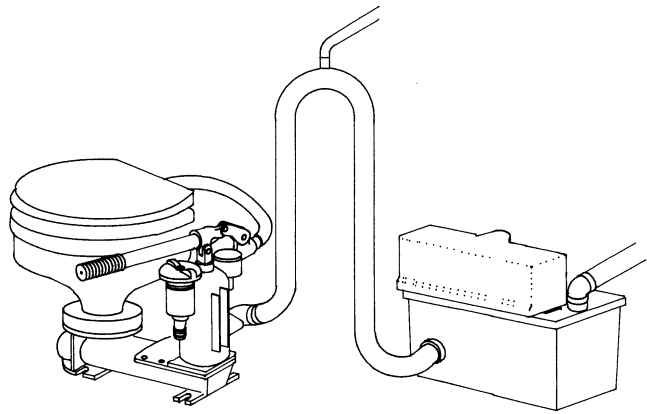
Depth:  
22 1/4" (56.6cm)  
Household  
19 1/2" (49.5 cm)  
Marine

The PHII and PHEII both operate by using a double action piston pump that simultaneously draws new flush water as it discharges the wastewater. By using raw water for flushing, on board water supplies can be reserved for essential freshwater use.

The PHII pump has a unique, easily replaceable seal cartridge. A simple quarter turn of the inlet water valve control knob allows the bowl to be pumped dry without using additional water. This provides the user with the option of emptying the bowl while in heavy seas. A special air vent reduces back pressure.

Electric PHEIIs operate by the push of a button and should be installed with a momentary or Push Button Switch (PBS) and a Continuous Duty Solenoid (CDS). In the case of power loss, the PHEII comes with a lever handle for temporary manual operation. Manual PHIIs can be easily converted to electric operation with a PHECKII Conversion Kit.

## Sample Installation



PHII and a Lectra/San MC

**Additional parts that are needed for installation:** hose clamps, four stainless steel mounting bolts (minimum 1/4" [6mm]) or lag screws and washers, 1 1/2" (38mm) I.D. sanitation hose, and 3/4" (19mm) I.D. sanitation hose. If installing a PHEII you will also need fuses or circuit breakers and wiring.

## Sample of Models

Part #	Description
PHII	PHII, Manual Operation, White marine-size bowl
PHHBII	PHII, Manual Operation, White household-style bowl
PHEII12	PHEII, Electric Operation, White marine-size bowl, 12V
PHEHBII12	PHEII, Electric Operation, White household-style bowl, 12V
PHECKII12	PHII, Electric Conversion Kit (manual to electric) 12V

**Approximate Shipping Weight:** 30-41 lbs (14-19 kg)

### For more information contact:

Raritan Engineering Company Inc.  
530 Orange Street, PO Box 1157  
Millville, NJ 08332, USA  
Telephone: 856-825-4900  
FAX: 856-825-4409  
e-mail: [info@raritaneng.com](mailto:info@raritaneng.com)  
[www.raritaneng.com](http://www.raritaneng.com)

Southern Plant and Office  
3101 SW 2nd Avenue  
Ft. Lauderdale, FL 33315 USA  
Telephone: 954-525-0378  
FAX: 954-764-4370



*Innovation Through Experience*