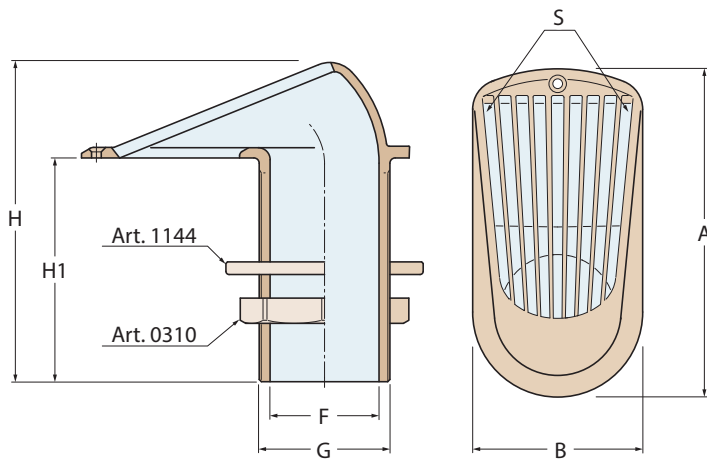


prese e scarichi a mare water intakes and thru-hulls

1112

Pres a mare serie "2000"
Grated water intake "2000" series



FILETTATURE / THREAD :
G = ISO 228/1 (BS 2779)

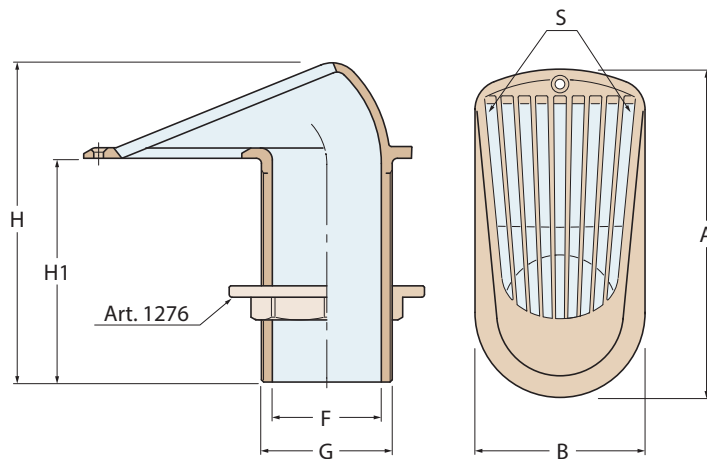
| 1112 | ■ | ■ | ■ |
|----------------------|--------------|-----------|-----------|
| Weight (gr) | 2800 | 3500 | 6400 |
| S (cm ²) | 51 | 66.2 | 122 |
| H | 189 | 214 | 285 |
| H1 | 130 | 150 | 200 |
| F | 64 | 77 | 101 |
| A | 200 | 220 | 293 |
| B | 100 | 115 | 145 |
| G | 2"1/2 | 3" | 4" |



Ottone sabbiato
Yellow brass ■

1112B

Pres a mare serie "2000"
Grated water intake "2000" series



FILETTATURE / THREAD :
G = ISO 228/1 (BS 2779)

| 1112B | ■ | ■ | ■ | ■ | ■ | ■ | ■ | ■ | ■ |
|----------------------|-------------|-------------|-----------|--------------|--------------|-----------|--------------|-----------|-----------|
| Weight (gr) | 260 | 360 | 635 | 917 | 1177 | 1706 | 2850 | 3600 | 6600 |
| S (cm ²) | 6.2 | 7 | 15 | 21 | 25.5 | 37 | 51 | 66.2 | 122 |
| H | 95 | 103 | 111 | 118 | 129 | 142 | 189 | 214 | 285 |
| H1 | 75 | 80 | 85 | 90 | 100 | 110 | 130 | 150 | 200 |
| F | 11.5 | 15 | 25 | 33 | 38.5 | 49.5 | 64 | 77 | 101 |
| A | 74 | 81 | 104 | 118 | 130 | 154 | 200 | 220 | 293 |
| B | 37 | 40 | 55 | 64 | 71 | 84 | 100 | 115 | 145 |
| G | 1/2" | 3/4" | 1" | 1"1/4 | 1"1/2 | 2" | 2"1/2 | 3" | 4" |



Bronzo
Bronze ■