

# prese e scarichi a mare water intakes and thru-hulls

**1118**

**Cuffia fresata**  
Slotted scoop

Fig. 1

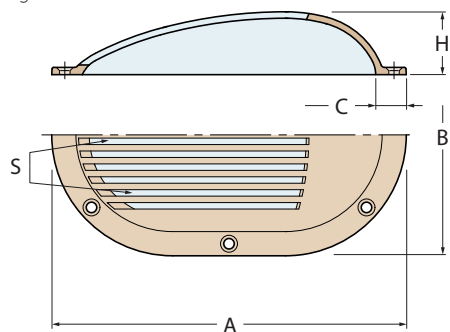
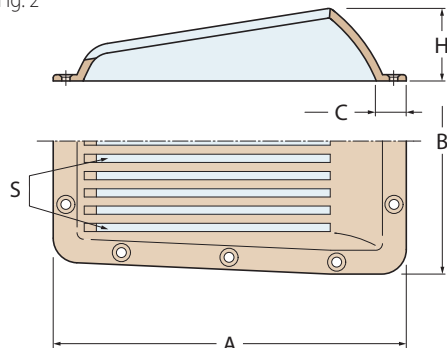


Fig. 2



Ottone sabbato  
Yellow brass

1118	■	■	■
Fig.	1	2	2
Weight (gr)	1000	1700	2550
S (cm <sup>2</sup> )	57	64	117
C	19	20	20
H	39	45	52
A	220	224	266
B	150	168	200
Ref.	2"1/2	3"	4"

**1119**

**Cuffia forata**  
Drilled scoop

Fig. 1

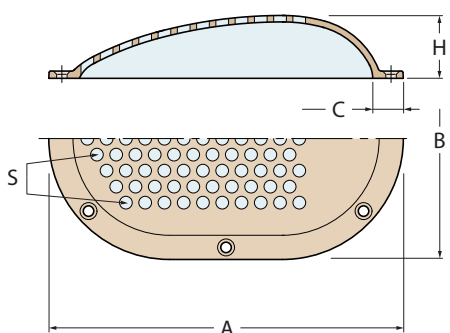
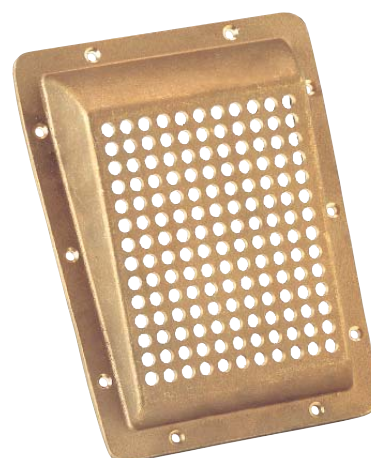
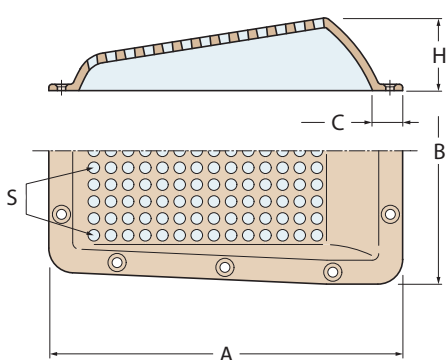


Fig. 2



Ottone sabbato  
Yellow brass

1119	■	■
Fig.	1	2
Weight (gr)	1050	1885
S (cm <sup>2</sup> )	38	59
C	19	20
H	39	45
A	220	224
B	150	168
Ref.	2"1/2	3"