

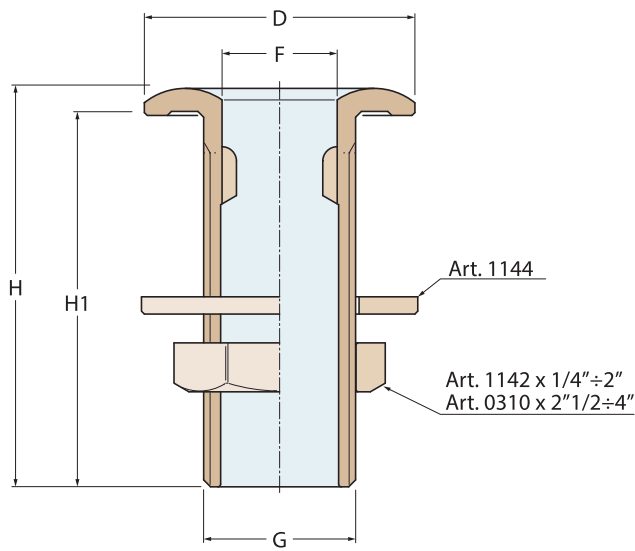
prese e scarichi a mare water intakes and thru-hulls

1121

Scarico a mare
Thru-hull connection

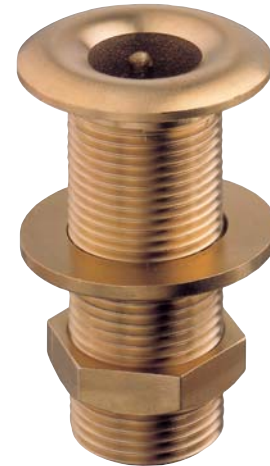
Omologato RINA
RINA validated

Conforme alla norma
Compliant with
UNI EN ISO 9093-1



FILETTATURE / THREAD :
G = ISO 228/1 (BS 2779)

1121	40	85	125	205	350	470	650	990	1950	2560	4300
Weight (gr)	40	85	125	205	350	470	650	990	1950	2560	4300
H	62	55	65	70	85	86	96	107	130	158	209
H1	58	50	60	65	80	80	90	100	122	150	200
F	8	12	15	20	25	33	39	50	63	76	100
D	22	32	36	47	54	63	70	85	110	123	150
G	1/4"	3/8"	1/2"	3/4"	1"	1 1/4"	1 1/2"	2"	2 1/2"	3"	4"



Ottone sabbato
Yellow brass

1121C

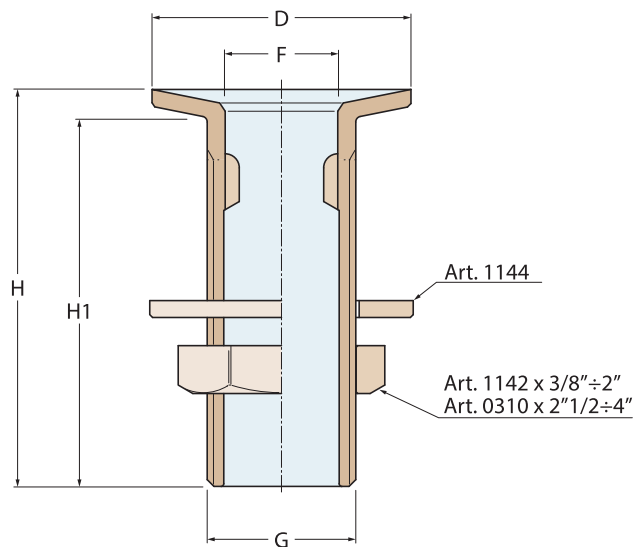


Ottone cromato
Chromium-plated brass

1122

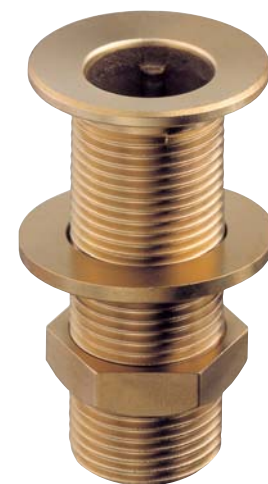
Scarico a mare a pozzetto
Thru-hull connection well pattern

Omologato RINA
RINA validated



FILETTATURE / THREAD :
G = ISO 228/1 (BS 2779)

1122	75	115	190	335	445	580	880	1840	2530	4120
Weight (gr)	75	115	190	335	445	580	880	1840	2530	4120
H	55	65	70	85	86	95	107	128	157	207
H1	50	60	65	80	80	90	100	122	148	200
F	12	15	20	25	33	39	50	63	76	100
D	30	35	45	53	62	69	82	108	118	150
G	3/8"	1/2"	3/4"	1"	1 1/4"	1 1/2"	2"	2 1/2"	3"	4"



Ottone sabbato
Yellow brass

1122C



Ottone cromato
Chromium-plated brass