

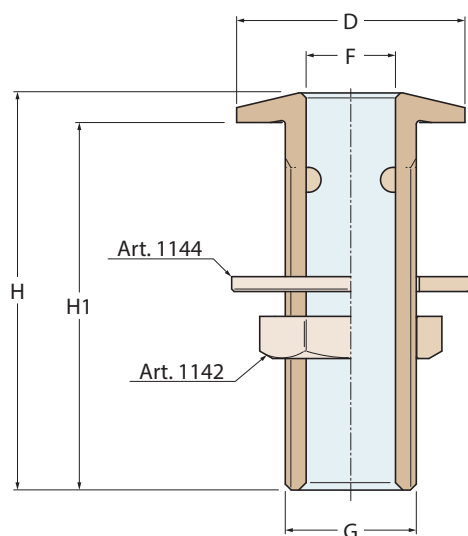
# prese e scarichi a mare water intakes and thru-hulls

## 1147

**Scarico a mare serie "export" - h100**  
Thru-hull connection "export" series - h100

**Omologato RINA**  
RINA validated

**Conforme alla norma**  
Compliant with  
**UNI EN ISO 9093-1**



Ottone sabbiato  
Yellow brass

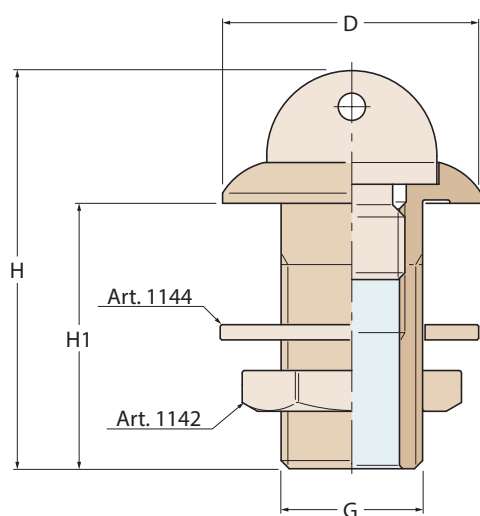
FILETTATURE / THREAD :  
G = ISO 228/1 (BS 2779)

1147	■	■	■	■	■	■
Weight (gr)	220	320	420	570	760	960
H	105	105	106	106	106	107
H1	100	100	100	100	100	100
D	45	50	56	70	74	85
F	14	18	24	33	37	50
G	1/2"	3/4"	1"	1 1/4"	1 1/2"	2"

## 1195

**Scarico alaggio**  
Thru-bilge outlet

**Conforme alla norma**  
Compliant with  
**UNI EN ISO 9093-1**



Ottone sabbiato  
Yellow brass

FILETTATURE / THREAD :  
G = ISO 228/1 (BS 2779)

1195	■	■
Weight (gr)	150	280
H	58	86
H1	40	66
D	38	48
G	1/2"	3/4"