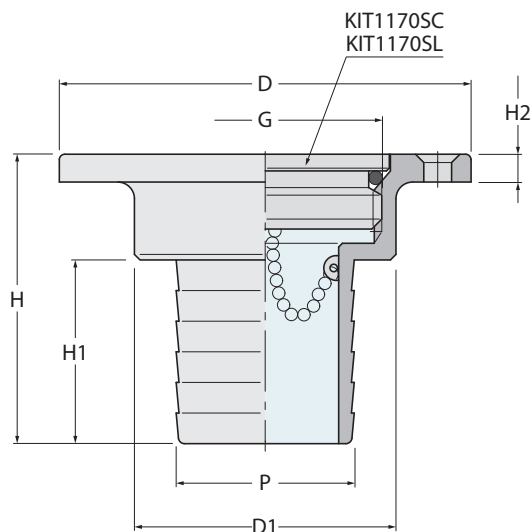


tappi imbarco e tappi scarico deck fillers and pump-out

1171C

Tappo imbarco a filo "FUEL" con portagomma
"FUEL" deck filler with hose connector



FILETTATURE / THREAD :
G = ISO 228/1 (BS 2779)

1171C	■	■	■
1171L	■	■	■
Weight (gr)	430	455	540
H	65	65	65
H1	45	45	46
H2	5	5	5
D1	54	54	54
D	83	83	83
P	38	40	50
G	1"1/2	1"1/2	1"1/2



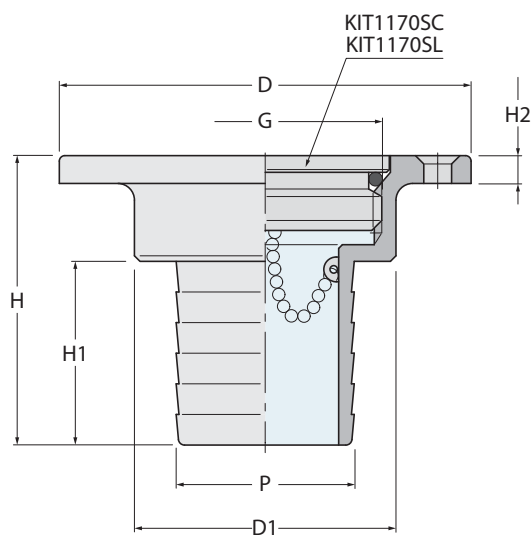
Ottone cromato
Chromium-plated brass ■

1171L

Ottone lucido
Polished brass ■

1172C

Tappo imbarco a filo "WATER" con portagomma
"WATER" deck filler with hose connector



FILETTATURE / THREAD :
G = ISO 228/1 (BS 2779)

1172C	■	■	■
1172L	■	■	■
Weight (gr)	430	455	540
H	65	65	65
H1	45	45	46
H2	5	5	5
D1	54	54	54
D	83	83	83
P	38	40	50
G	1"1/2	1"1/2	1"1/2



Ottone cromato
Chromium-plated brass ■

1172L

Ottone lucido
Polished brass ■