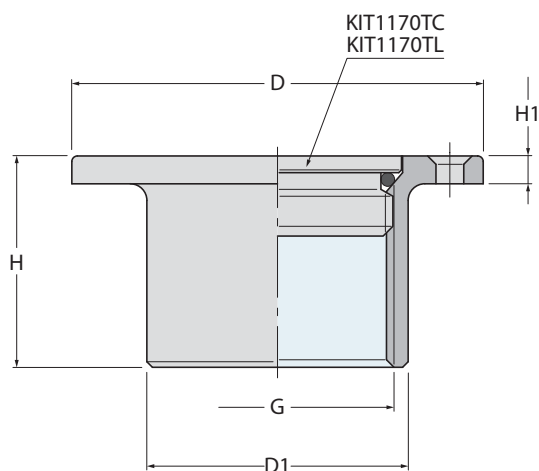


tappi imbarco e tappi scarico deck fillers and pump-out

1173C

tappo imbarco a filo "FUEL"
"FUEL" deck filler



FILETTATURE / THREAD :
G = ISO 228/1 (BS 2779)

1173C	■	■
1173L	■	■
Weight (gr)	330	440
H	48	48
H1	5	5
D1	47	54
D	74	83
G	1"1/4	1"1/2

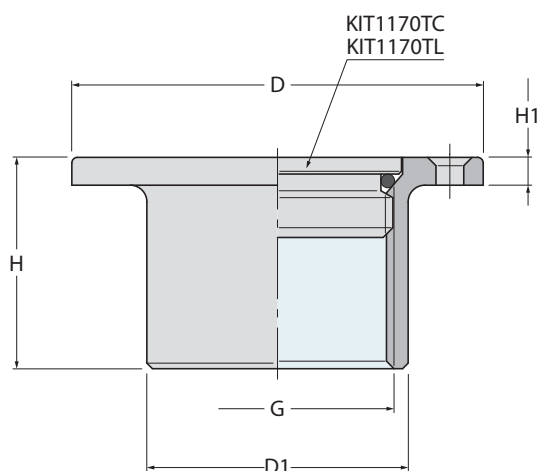
Ottone cromato
Chromium-plated brass ■

1173L

Ottone lucido
Polished brass ■

1176C

tappo imbarco a filo "WATER"
"WATER" deck filler



FILETTATURE / THREAD :
G = ISO 228/1 (BS 2779)

1176C	■	■
1176L	■	■
Weight (gr)	330	440
H	48	48
H1	5	5
D1	47	54
D	74	83
G	1"1/4	1"1/2

Ottone cromato
Chromium-plated brass ■

1176L

Ottone lucido
Polished brass ■