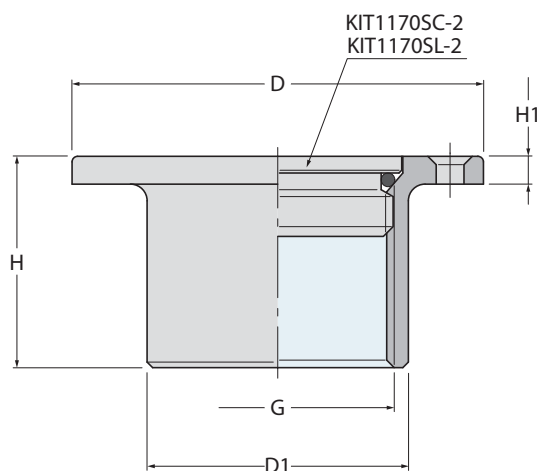


tappi imbarco e tappi scarico deck fillers and pump-out

1178C

tappo imbarco a filo "FUEL"
"FUEL" deck filler



FILETTATURE / THREAD :
G = ISO 228/1 (BS 2779)

1178C ■

1178L ■

Weight (gr)	440
H	48
H1	5
D	83
D1	54
G	1"1/2



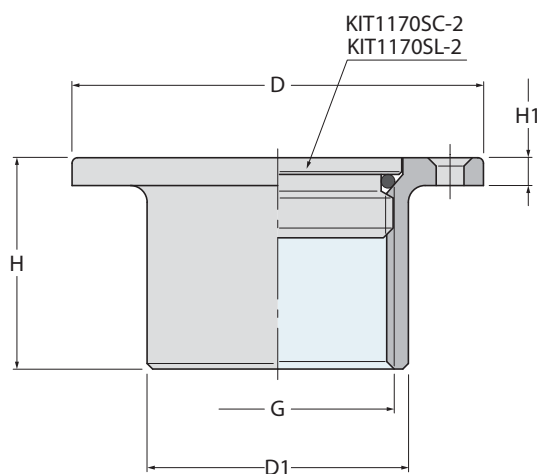
Ottone cromato
Chromium-plated brass ■

1178L

Ottone lucido
Polished brass ■

1179C

tappo imbarco a filo "WATER"
"WATER" deck filler



FILETTATURE / THREAD :
G = ISO 228/1 (BS 2779)

1179C ■

1179L ■

Weight (gr)	440
H	48
H1	5
D	83
D1	54
G	1"1/2



Ottone cromato
Chromium-plated brass ■

1179L

Ottone lucido
Polished brass ■

A6