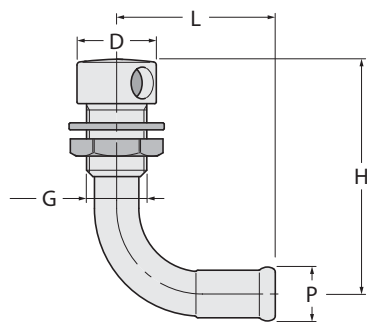


sfiati e ombrinali vents and scuppers

1188D



Sfiato con portagomma curvo destro
90° gas tank vent with hose connection.
right side



Ottone cromato
Chromium-plated brass

1188DL

Ottone lucido
Polished brass

1188D ■

1188DL ■

Weight (gr) 97

L 52

D 25

H 77

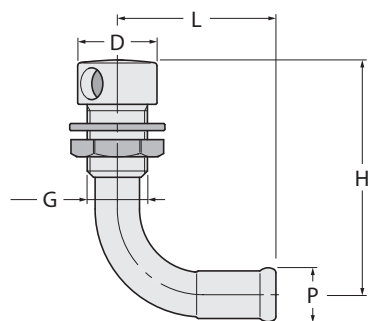
P 17

G 19x19F

Size $\varnothing 19 \times 16$

1188S

Sfiato con portagomma curvo sinistro
90° gas tank vent with hose connection.
left side



Ottone cromato
Chromium-plated brass

1188SL

Ottone lucido
Polished brass

1188S ■

1188SL ■

Weight (gr) 97

L 52

D 25

H 77

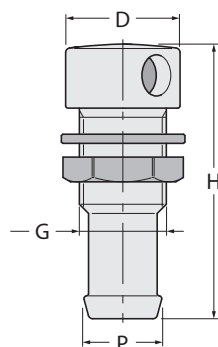
P 17

G 19x19F

Size $\varnothing 19 \times 16$

1190

Sfiato diritto
Straight gas tank vent



FILETTATURE / THREAD :
G = ISO 228/1 (BS 2779)



Ottone cromato
Chromium-plated brass

1190L

Ottone lucido
Polished brass

1190 ■ ■

1190L ■ ■

Weight (gr) 85 205

H 60 70

D 25 32

P 16 20

G 19x19F 3/4"

Size $\varnothing 19 \times 16$ 3/4" x 20