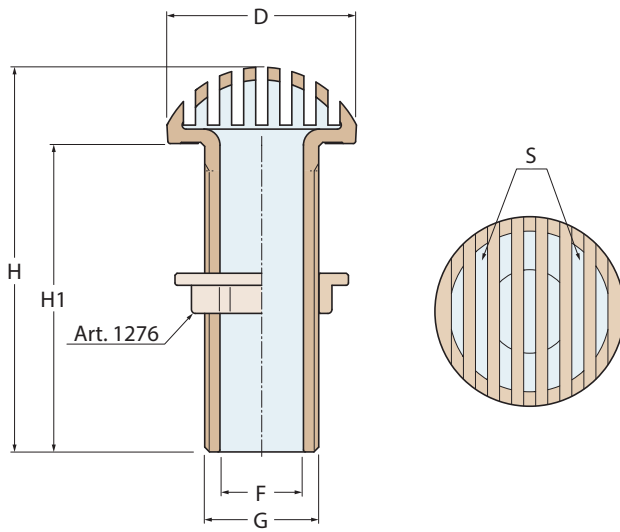


# prese e scarichi a mare water intakes and thru-hulls

**1210**

**Preso a mare tonda**  
Round water inlet



FILETTATURE / THREAD :  
G = ISO 228/1 (BS 2779)



Bronzo  
Bronze

1210	■	■
Weight (gr)	355	525
S (cm <sup>2</sup> )	5.0	12.1
H	118	121
H1	100	100
F	19	25
D	51	61
<b>G</b>	<b>3/4"</b>	<b>1"</b>