

# prese e scarichi a mare water intakes and thru-hulls

1261

Cuffia serie "manta"  
Water inlet "manta" series

A2

Fig. 1

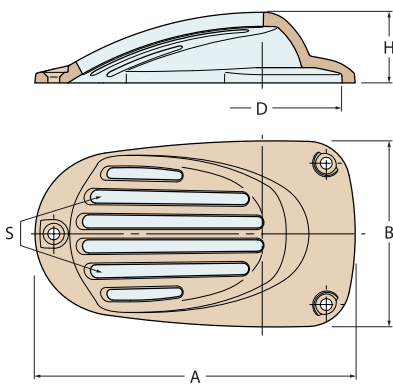
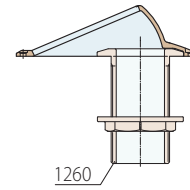
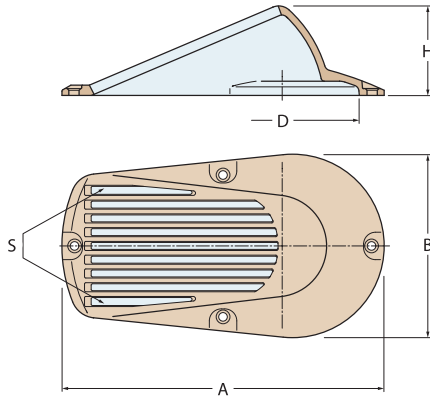


Fig. 2



<b>1261</b>	■	■	■	■	■	■	■	■	■	■	■	■
Weight (gr)	136	200	300	430	565	810	1270	1850	3120	5260	8500	14950
<b>3261</b>	■	■	■	■	■	■	■	■	■	■	■	■
Weight (gr)		90	129	170	243	380	555	936	1578	2550	4485	
<b>Fig.</b>	<b>1</b>	<b>1</b>	<b>1</b>	<b>1</b>	<b>1</b>	<b>1</b>	<b>1</b>	<b>1</b>	<b>1</b>	<b>1</b>	<b>2</b>	<b>2</b>
S (cm <sup>2</sup> )	5.8	9.5	11.5	19.3	24.9	36	53	70	119.7	188	273	441.5
D	41	48	58	68	76	90	110	124	152.5	193	228	284
H	20	23	26	30	34	39	46	53	65	80	122	127
B	49	57	68	79	88	102	122	140	174	212	272	332
A	84	102	118	136	154	180	220	255	320	400	480	578
<b>Ref.</b>	<b>1/2"</b>	<b>3/4"</b>	<b>1"</b>	<b>1 1/4"</b>	<b>1 1/2"</b>	<b>2"</b>	<b>2 1/2"</b>	<b>3"</b>	<b>4"</b>	<b>5"</b>	<b>6"</b>	<b>8"</b>

Bronzo  
Bronze

3261



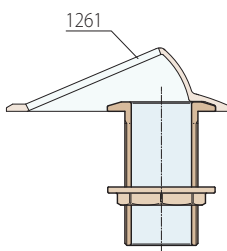
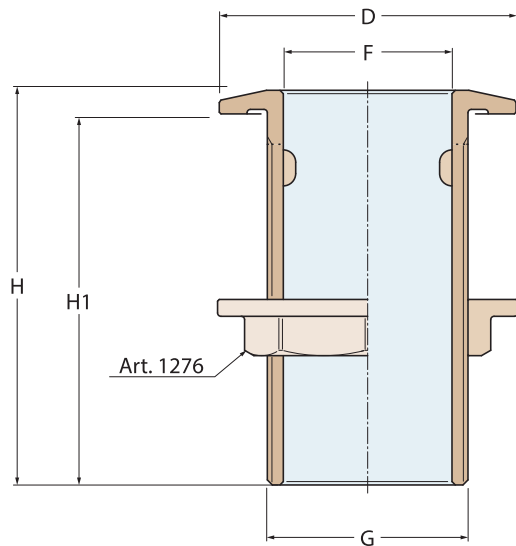
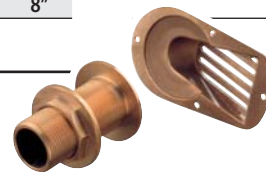
Alluminio anodizzato nero  
Black anodized aluminium

1260

Scarico a mare  
Thru-hull connection

Omologato RINA  
RINA validated

Conforme alla norma  
Compliant with  
UNI EN ISO 9093-1



\* M216x3.5  
FILETTATURE / THREAD :  
G = ISO 228/1 (BS 2779)

<b>1260</b>	■	■	■	■	■	■	■	■	■	■	■	■	
Weight (gr)	90	170	250	360	610	755	1040	1860	2650	4480	9050	10900	18400
<b>3260</b>	■	■	■	■	■	■	■	■	■	■	■	■	■
Weight (gr)			108	183	227	312	558	795	1344	2715	3270	5520	
H	64	70	75	85	91	96	107	128	158	209	260	262	312
D	28	40	47	57	67	75	88	108	122	150	190	225	280
H1	60	65	70	80	85	90	100	120	150	200	250	250	300
F	11	13	19	25	32	38	50	63	76	100	120	150	200
<b>G</b>	<b>3/8"</b>	<b>1/2"</b>	<b>3/4"</b>	<b>1"</b>	<b>1 1/4"</b>	<b>1 1/2"</b>	<b>2"</b>	<b>2 1/2"</b>	<b>3"</b>	<b>4"</b>	<b>5"</b>	<b>6"</b>	<b>(8")*</b>

Bronzo  
Bronze

3260



Alluminio anodizzato nero  
Black anodized aluminium