

prese e scarichi a mare water intakes and thru-hulls

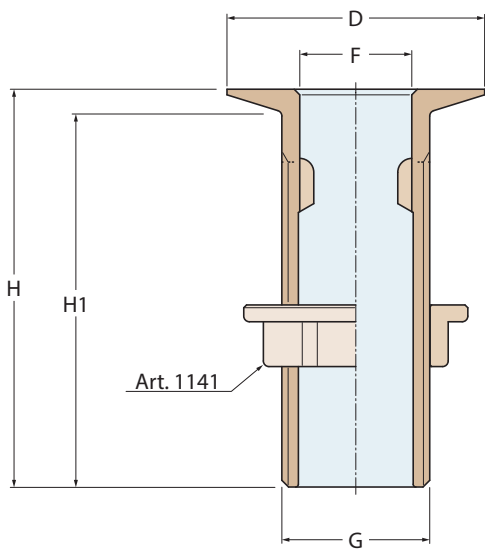
1265

A2

Scarico a mare serie "export" speciale Thru-hull connection "export" special series

Omologato RINA
RINA validated

Conforme alla norma
Compliant with
UNI EN ISO 9093-1



FILETTATURE / THREAD :
G = ISO 228/1 (BS 2779)

1265	■	■	■	■	■	■	■
1265C	■	■	■	■	■	■	■
Weight (gr)	55	100	160	235	345	455	675
H	54	65	71	76	75	76	80
D	30	35	50	59	60	66	82
H1	50	61	67	72	70	71	75
F	12	15	20	25	33	39	50
G	3/8"	1/2"	3/4"	1"	1"1/4	1"1/2	2"



Ottone sabbiato
Yellow brass ■

1265C

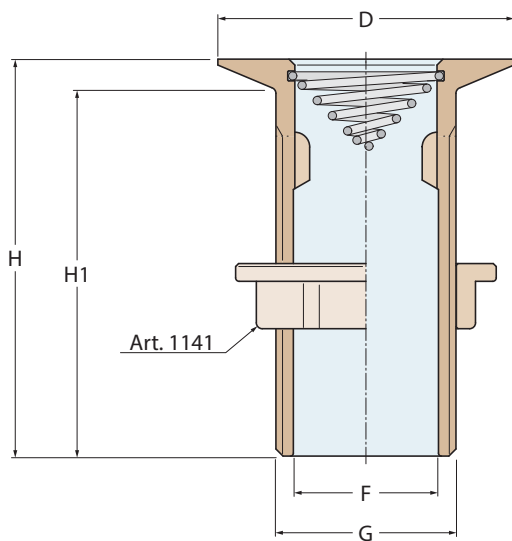


Ottone cromato
Chromium-plated brass ■

1266

Scarico a mare "export" con griglia Thru-hull connection "export" with spiral spring

Conforme alla norma
Compliant with
UNI EN ISO 9093-1



FILETTATURE / THREAD :
G = ISO 228/1 (BS 2779)

1266	■	■	■	■	■	■
Weight (gr)	102	160	260	360	440	690
H	65	71	76	75	76	80
D	35	50	59	60	66	82
H1	61	67	72	70	71	75
F	15	20	25	33	39	50
G	1/2"	3/4"	1"	1"1/4	1"1/2	2"



Ottone sabbiato
Yellow brass ■