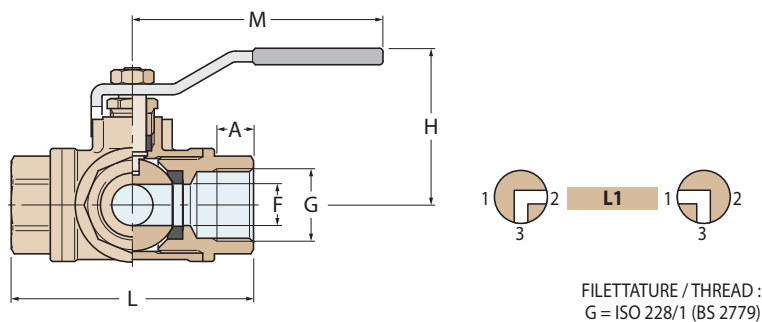


valvole a sfera ball valves

1552



FILETTATURE / THREAD :
G = ISO 228/1 (BS 2779)

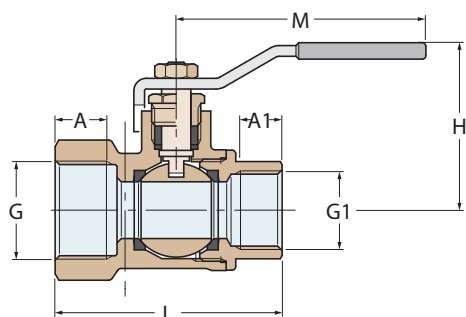
Valvola a sfera a tre vie flusso a "L"
Three ways ball valve F-F-F - "L" flow



Ottone nichelato
Nickel-plated brass

1552	■	■	■	■	■	■	■	■
PN	32	32	32	32	32	25	25	25
Weight (gr)	450	420	660	870	1510	1840	3650	5170
M	90	90	125	125	140	140	220	220
H	56	56	62	66	73	76	97	104
L	74	74	80	90	105	115	138	161
F	10	10	12	15	20	25	32	40
A	12	12	14	16	19	21	23	26
G	1/4"	3/8"	1/2"	3/4"	1"	1 1/4"	1 1/2"	2"

1585



FILETTATURE / THREAD :
G - G1 = ISO 228/1 (BS 2779)

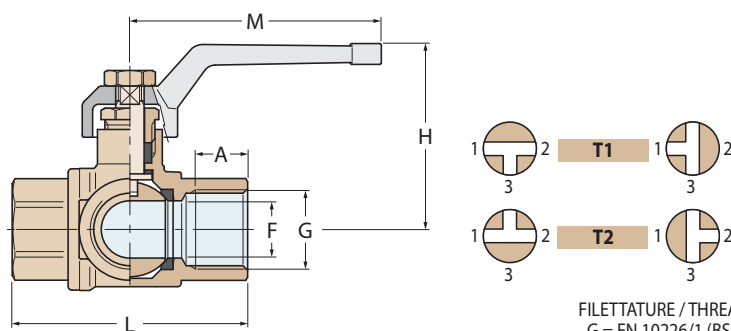
Valvola a sfera F-F-F a leva con doppia uscita
Lever operated ball valve F-F-F with double outlet



Ottone nichelato
Nickel-plated brass

1585	■	■	■	■
PN	16	16	16	16
Weight (gr)	620	570	910	860
M	90	90	125	125
H	54	54	58	58
L	67	67	84	84
A - A1	15	15	16	16
G1	3/8"x 3/8"	1/2"x 1/2"	3/4"x 3/4"	1"x 1"
G	1/2"	3/4"	1"	1 1/4"

1900



FILETTATURE / THREAD :
G = EN 10226/1 (BS 21)

Valvola deviatrice a tre vie passaggio totale F-F-F - flusso a "T"
Full flow 3 ways diverter valve "T" flow F-F-F

Conforme alla norma
Compliant with
UNI EN ISO 9093-1



Ottone nichelato
Nickel-plated brass

1900	■	■	■	■	■	■	■	■	■
PN	16	16	16	16	16	16	16	16	16
Weight (gr)	170	185	290	480	780	1320	1920	3100	6600
M	110	110	110	130	130	159	159	188	190
H	48	48	50	62.5	67	82	88.5	109	120
L	46	52	66	76	90	110	120	140	160
F	10	10	15	20	25	32	40	50	65
A	10	11.4	15	16.3	19.1	21.4	21.4	25.7	35
G	1/4"	3/8"	1/2"	3/4"	1"	1 1/4"	1 1/2"	2"	2 1/2"

C1