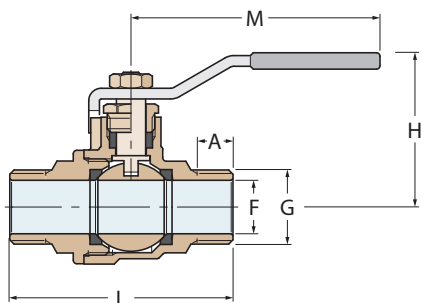


# valvole a sfera ball valves

1572



**Valvola a sfera M-M passaggio totale a leva**  
Lever operated ball valve M-M full flow

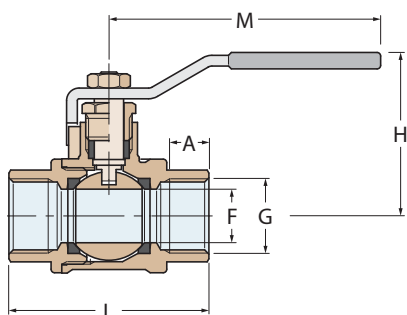


FILETTATURE / THREAD :  
G = ISO 228/1 (BS 2779)

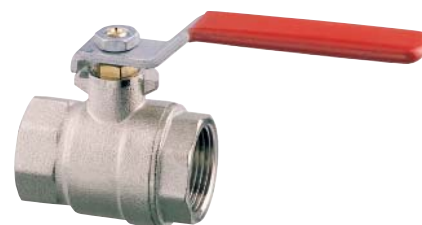
Ottone nichelato  
Nickel-plated brass

1572	■	■	■	■
PN	40	40	40	40
Weight (gr)	125	210	350	650
M	80	90	90	125
H	41	54	58	66
L	54	68	77	92
F	10	15	20	25
A	10	15	16	19
G	3/8"	1/2"	3/4"	1"

1575



**Valvola a sfera F-F passaggio totale a leva**  
Lever operated ball valve F-F full flow

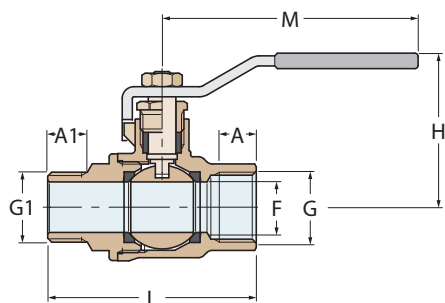


FILETTATURE / THREAD :  
G = ISO 228/1 (BS 2779)

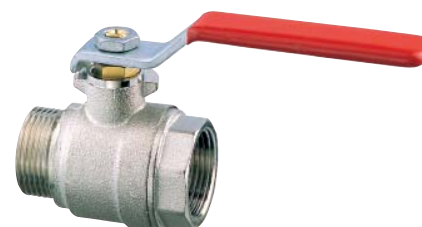
Ottone nichelato  
Nickel-plated brass

1575	■	■	■	■	■	■	■	■	■	■	■
PN	30	30	30	30	30	30	30	25	25	25	
Weight (gr)	145	130	200	280	440	670	1150	1870	3000	4100	6500
M	77	77	100	100	120	120	157	157	230	230	230
H	41	41	46	49	62	67	85	92	120	128	142
L	44	44	50	58	68	80	93	110	134	151	180
F	10	10	15	20	25	32	40	50	63	74	92
A	12	12	12	13	15	17	19	21	23	25	29
G	1/4"	3/8"	1/2"	3/4"	1"	1 1/4"	1 1/2"	2"	2 1/2"	3"	4"

1576



**Valvola a sfera M-F passaggio totale a leva**  
Lever operated ball valve M-F full flow



FILETTATURE / THREAD :  
G - G1 = ISO 228/1 (BS 2779)

Ottone nichelato  
Nickel-plated brass

1576	■	■	■	■	■	■	■	■
PN	30	30	30	30	30	30	30	30
Weight (gr)	128	126	192	270	440	660	910	1770
M	77	77	100	100	120	120	157	157
H	41	41	46	49	62	67	85	92
L	44	44	50	58	68	80	93	110
F	10	10	15	20	25	32	40	50
A - A1	12	12	12	13	15	17	19	21
G - G1	1/4"	3/8"	1/2"	3/4"	1"	1 1/4"	1 1/2"	2"

C1