

valvole a globo e saracinesche gate and globe valves

1650A

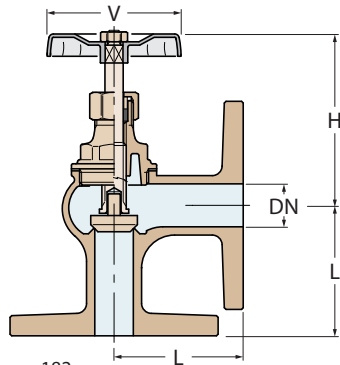


Tabella flange a pag. 182
Flange table on page 182

1650A	■	■	■	■	■	■	■	■	■
PN	16	16	16	16	16	16	16	16	16
Weight (gr)	1800	2150	3100	4500	5200	7500	10700	12800	16000
V	60	60	70	70	80	90	125	150	150
H	74	83	104	110	143	160	187	225	220
L	60	65	72	85	90	105	110	115	140
DN	15	20	25	32	40	50	65	80	100

Valvola "globo" a squadra sede metallica - chiusura semiautomatica con flange cieche o forate PN6/16
"Globe" angle valve metal tightness - semi automatic closing with undrilled or PN6/16 drilled flanges



Bronzo
Bronze ■

1660

Valvola saracinesca con flange forate PN6/16
Gate valve with PN6/16 drilled flanges

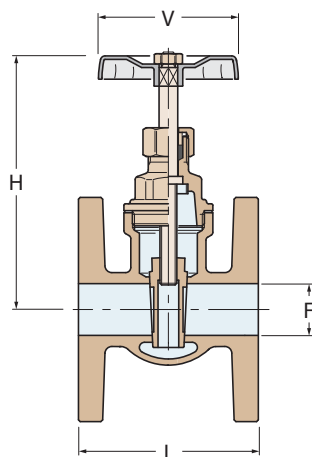


Tabella flange a pag. 182
Flange table on page 182

1660	■	■	■	■	■	■	■	■	■	■	■
Weight PN6 (Kg)	950	1270	1640	2440	3500	4350	6800	9320	14000	20840	30200
Weight PN16(Kg)	1200	1780	2020	3400	4200	5600	7400	10000	14700	22100	31000
PN	16	16	16	16	16	16	16	16	16	16	16
V	55	55	60	70	70	80	110	120	140	175	200
H	82	103	103	122	132	155	198	237	325	312	370
L	75	80	90	100	110	125	145	162	170	200	210
F	16	22	25	32	40	48	65	80	100	119	142
DN	15	20	25	32	40	50	65	80	100	125	150



Bronzo
Bronze ■