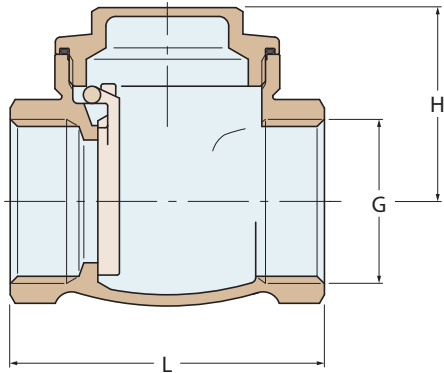


valvole di non ritorno e filtraggio non-return and filtering valves

1670

Valvola a clapet tenuta metallica
Swing check valve metal tightness



FILETTATURE / THREAD :
G = ISO 228/1 (BS 2779)

1670	16	16	16	16	16	16	16	16	16	16
PN	16	16	16	16	16	16	16	16	16	16
Weight (gr)	170	145	210	335	485	650	1000	1555	2240	3795
H	32	32	35	39	47	51	59	67	77	92
L	47	47	54	64	76	83	98	116	135	164
G	3/8"	1/2"	3/4"	1"	1"1/4	1"1/2	2"	2"1/2	3"	4"

1670B	16	16	16	16	16	16	16	16	16
PN	16	16	16	16	16	16	16	16	16
Weight (gr)	215	350	500	690	870	1380	2050	3190	4500
H	36	43	49	57	63	69	82	91	123
L	55	62	72	82	90	105	125	144	176
G	1/2"	3/4"	1"	1"1/4	1"1/2	2"	2"1/2	3"	4"



Ottone sabbiato
Yellow brass

1670B



Bronzo
Bronze