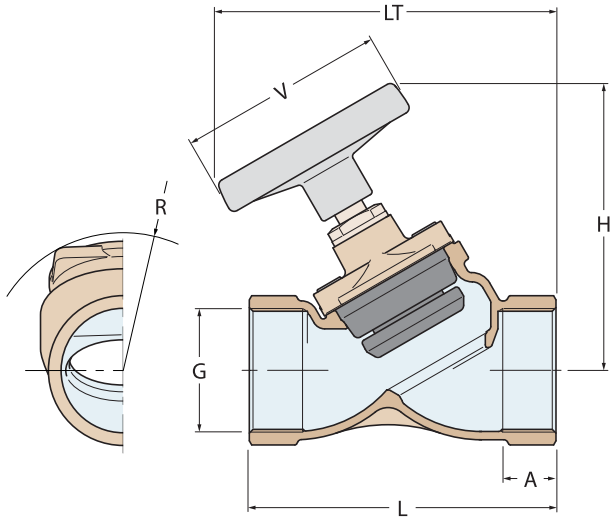


Valvola "antiblocco" filettata
Threaded "non stick" valve

Omologato RINA
RINA validated

Conforme alla norma
Compliant with
UNI EN ISO 9093-1



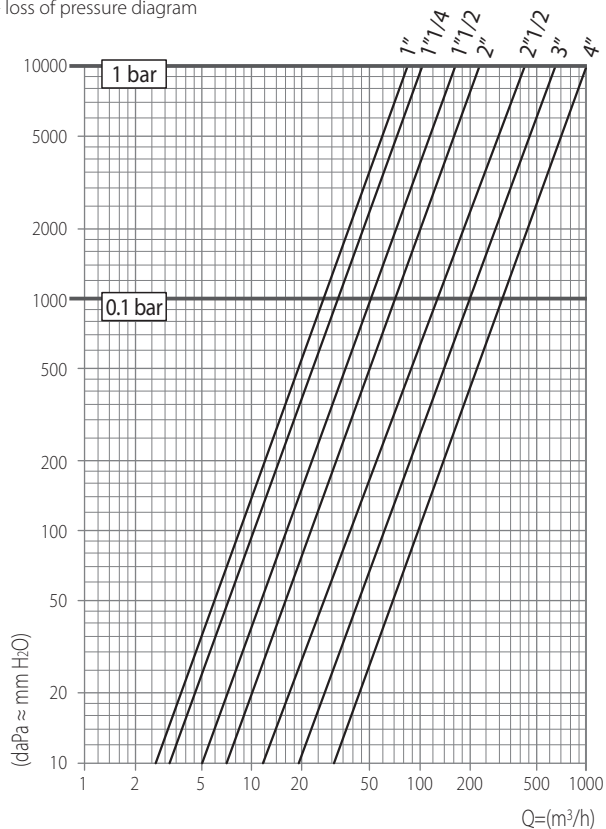
FILETTATURE / THREAD :
G = EN 10226/1 (BS 21)



Bronzo
Bronze

2230							
Weight (gr)	1350	1450	2200	2650	5300	6200	9500
R	59	61	69	69	98	106	120
LT	132	135	159	164	215	216	256
V	80	80	100	100	125	125	160
H	122	124	142	142	180	185	213
L	104	112	126	148	195	206	245
A	19.1	21.4	21.4	25.7	30.2	33.3	35.8
G	1"	1"1/4	1"1/2	2"	2"1/2	3"	4"

Diagramma portate - perdite di carico
Flow rate - loss of pressure diagram



Struttura in bronzo
Bronze body

Guarnizioni in neoprene
Neoprene gaskets

Viti in acciaio inox
Stainless steel screws

Volantino in termoplastico
Thermoplastic handwheel

G	0.1 bar	1 bar
1"	27000	85400
1"1/4	33200	105100
1"1/2	51900	164200
2"	70800	223800
2"1/2	135800	429500
3"	207700	656700
4"	324500	1026100

Portate di acqua - lt/h
Flow-rate capacity - lt/h