

# flange flanges

**1340**

**Flangia PN6 / PN16 con filetto maschio**  
PN6 / PN16 flange with male thread

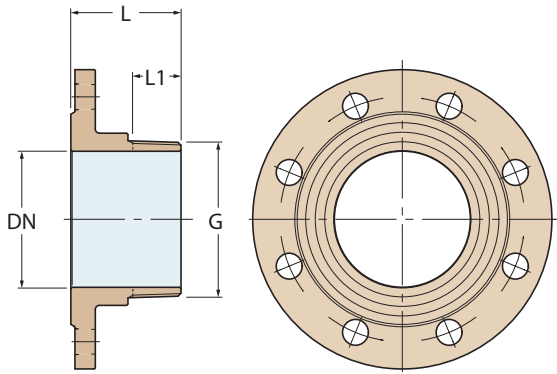


Tabella flange a pag. 182  
Flange table on page 182

FILETTATURE / THREAD :  
G = ISO 228/1 (BS 2779)

1340	25	32	40	50	65	80	100	125	150
Weight (PN6) (gr)	730	1100	1270	1600	2160	3150	4220	5590	6680
Weight (PN16) (gr)	1060	1700	1910	2520	3400	3980	5240	6980	8530
1340N	25	32	40	50	65	80	100	125	150
Weight (PN6) (gr)	700	1050	1205	1530	2050	2930	4020	5370	6380
Weight (PN16) (gr)	1015	1620	1820	2430	3300	3760	4960	6640	8250
3340	25	32	40	50	65	80	100	125	150
Weight (PN6) (gr)	220	330	380	480	650	945	1265	1680	2010
Weight (PN16) (gr)	320	510	575	755	1020	1195	1570	2095	2560
L (PN6)	49	55	56	59	66	71	78	86	88
L (PN16)	52	57	58	62	69	74	81	89	91
L1	20	22	23	26	30	33	39	44	44
<b>DN</b>	<b>25</b>	<b>32</b>	<b>40</b>	<b>50</b>	<b>65</b>	<b>80</b>	<b>100</b>	<b>125</b>	<b>150</b>
<b>G</b>	<b>1"</b>	<b>1 1/4"</b>	<b>1 1/2"</b>	<b>2"</b>	<b>2 1/2"</b>	<b>3"</b>	<b>4"</b>	<b>5"</b>	<b>6"</b>

Bronzo  
Bronze

**1340N**



Ottone nichelato  
Nickel-plated brass

**3340**



Alluminio anodizzato nero  
Black anodized aluminium

**1350**

**Flangia PN6 / PN16 con filetto femmina**  
PN6 / PN16 flange with female thread

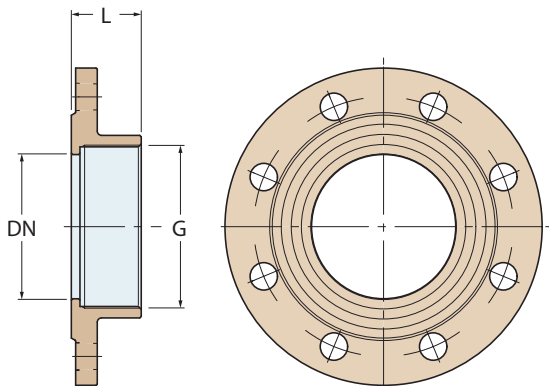


Tabella flange a pag. 182  
Flange table on page 182

FILETTATURE / THREAD :  
G = EN 10226/1 (BS 21)

1350	25	32	40	50	65	80	100	125	150	200
Weight (PN6) (gr)	640	970	1120	1390	1865	2600	3400	4700	5210	-
Weight (PN16) (gr)	1100	1530	1700	2320	3100	3450	4400	5900	7200	9800
1350N	25	32	40	50	65	80	100	125	150	200
Weight (PN6) (gr)	610	920	1060	1320	1755	2380	3200	4520	4910	-
Weight (PN16) (gr)	1050	1450	1610	2230	3000	3230	4120	5560	6920	9800
3350	25	32	40	50	65	80	100	125	150	200
Weight (PN6) (gr)	190	290	340	420	560	780	1020	1410	1565	-
Weight (PN16) (gr)	330	460	510	700	930	1035	1320	1770	2160	2940
L	27	29	29	34	38	42	49	52	53	54
<b>DN</b>	<b>25</b>	<b>32</b>	<b>40</b>	<b>50</b>	<b>65</b>	<b>80</b>	<b>100</b>	<b>125</b>	<b>150</b>	<b>200</b>
<b>G</b>	<b>1"</b>	<b>1 1/4"</b>	<b>1 1/2"</b>	<b>2"</b>	<b>2 1/2"</b>	<b>3"</b>	<b>4"</b>	<b>5"</b>	<b>6"</b>	<b>M216x3.5</b>

Bronzo  
Bronze

**1350N**



Ottone nichelato  
Nickel-plated brass

**3350**



Alluminio anodizzato nero  
Black anodized aluminium