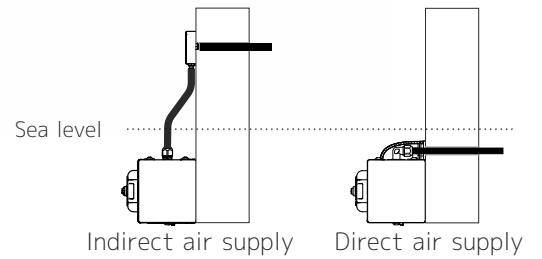
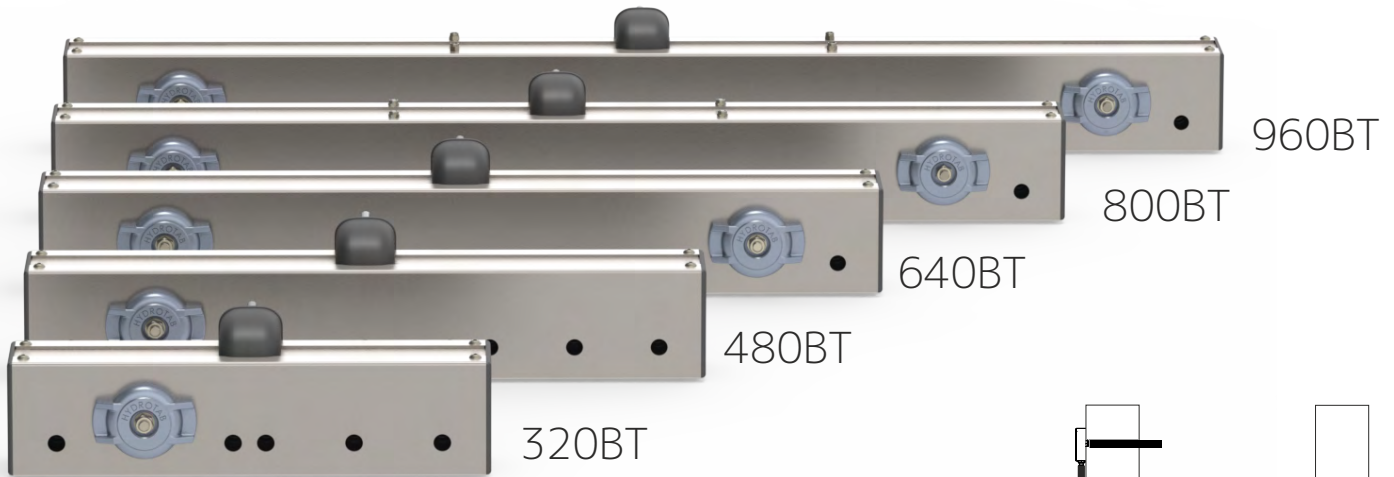


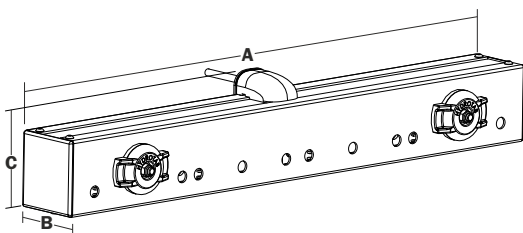
BT Series

Patented



Technical data

Model	Material	Dimensions (mm)			Max.Operating Pressure (bar)	Shifting Force (kgr)	Package weight (kgr)	Packaging dimensions (mm)
		A	B	C				
320 BT	INOX 316	370	89	115.5	3	495	18	720 x 320 x 290h
480 BT	INOX 316	544	89	115.5	3	861	20	720 x 320 x 290h
640 BT	INOX 316	700	89	115.5	3	1188	26	720 x 320 x 290h
800 BT	INOX 316	870	89	115.5	3	1545	56	1040 x 320 x 290h
960 BT	INOX 316	1030	89	115.5	3	1881	64	1040 x 320 x 290h



**5**  
Years  
Warranty

Ready to install

The system is delivered in kit ready to be installed with all the necessary components included



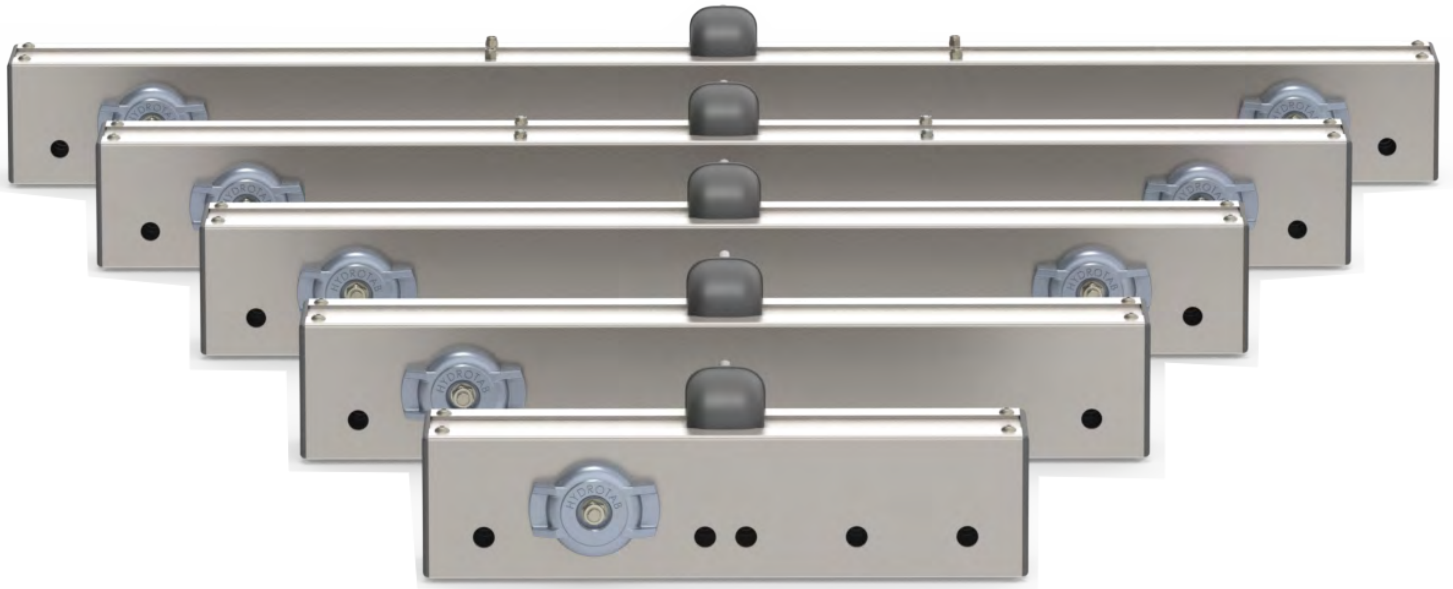


## Custom solutions

Hydrotab's unique design and technology offers the possibility to develop a custom size product that fulfills the specific needs of your boat.

Please contact us for a special size product or custom shape blade.





## Indicative Sizing Table

The following table is indicative and it differs depending on the boat type. It is always recommended to choose the biggest Hydrotab model that can be fitted on your boat.

Boat (ft)	Model
15-22	320BT
22-34	320 BT - 480 BT
32-42	480 BT - 640 BT
40-53	800 BT
50-70	960 BT
70 - 120	Combination of the above models (ex. 2x800BT or 2x960BT)

**Note:** The boat owner is exclusively responsible for the right selection of the model.

w w w . h y d r o t a b . g r



Olympic Engineering Ltd  
 4 Papazoglou str, GR 17778  
 Athens, Greece  
 TEL: +30 210 48 36 343,5,6  
 FAX: +30 210 48 36 342  
 E-mail: info@hydrotab.gr  
 www.hydrotab.gr

