

Parts Catalog

MDKBL

MDKBM

MDKBN

MODEL IDENTIFICATION

To avoid errors or delay in filling your parts order, always give the MODEL, SPEC NO. and SERIAL NO. from the Onan nameplate.

For handy reference, insert your nameplate information in the spaces below.

MODEL AND SPEC NO.

SERIAL NO.

DIGITAL CONTROL SOFTWARE VERSION AND DATE (IF APPLICABLE)

SAFETY PRECAUTIONS

The following symbols are used in Onan manuals to alert users to the potentially dangerous conditions relating to maintenance of equipment and replacement of parts. Please read and observe.



This symbol warns of immediate hazards which will result in severe personal injury or death.



This symbol refers to a hazard or unsafe practice which can result in severe personal injury or death.



This symbol refers to a hazard or unsafe practice which can result in severe personal injury or product or property damage.

PRODUCT SAFETY PRECAUTIONS



Service and repair of Onan equipment must be performed by trained, experienced personnel only. Improper service or repair may result in property damage, severe personal injury or death. Do not use this catalog as a guide to servicing your equipment. Read and follow the IMPORTANT SAFETY INSTRUCTIONS in the Service Manual appropriate for the equipment you are working on.



Contact with USED ENGINE OILS has been identified by a United States federal agency and some USA state agencies as causing CANCER or REPRODUCTIVE TOXICITY. When checking or changing engine oils take all necessary precautions not to ingest, breathe the fumes or contact the used oil.



Contact with ASBESTOS has been identified by a United States federal agency and some USA state agencies as causing CANCER or REPRODUCTIVE TOXICITY. When handling engine gaskets take all necessary precautions not to ingest, breathe or contact the dust from the gaskets! Use adequate ventilation and wear protective gloves, masks and clothing!



Contact with BENZINE and LEAD, found in gasoline, fuel additives and solvents has been identified by a United States federal agency and some USA state agencies as causing CANCER or REPRODUCTIVE TOXICITY. When checking, draining or adding gasoline and fuel additives or using solvents take all necessary precautions not to ingest, breathe the fumes or contact the liquids. Use adequate ventilation and wear protective gloves, masks and protective clothing!

Introduction

This catalog applies to the standard marine generator sets listed below. Parts are arranged in groups of related items and each illustrated part is identified by a reference number corresponding to the same reference number in the parts list. Parts illustrations are typical. Unless otherwise mentioned in the description or page heading, parts are interchangeable between models. Throughout this catalog left and right sides are determined by facing the engine end (front) of the set.

<u>MODEL</u>	<u>HERTZ</u>
MDKBL/*	50/60
MDKBM/*	50/60
MDKBN/*	50/60

* – The diagonal line (/) in the model and specification number separates generator set characteristics from the specification number and letter. The specification number denotes customer requested options or deviations from the standard model. The specification letter advances (A to B, B to C, etc.) with major manufacturing changes.

Index

Actuator, Governor, **41**
Adapter, Metric NPT, **37**
Adapter, Oil Drain, **49**
Adapter, Pipe, **37**
Alternator (12V), **32**
Alternator (24V), **33**
Arm, Rocker, **27**
Armature, Starter (12V), **12**
Armature, Starter (24V), **13**
Assy Control (eSDD), **68**
Assy Panel, Blank, **68**
Assy Panel, Engine, **68**

Baffle, Generator, **60**
Ball, Crankshaft, **8**
Ball, Pressure Valve, **30**
Base, Fuel Filter Aluminum, **37**
Base, Mounting, **56**
Bearing, Alternator (24V), **35**
Bearing, Ball Fuel Camshaft, **15**
Bearing, Connecting Rod, **10**
Bearing, Crankshaft, **8**
Bearing, Fork Lever, **18**
Bearing, Generator Rotor Ball, **64**
Bearing, Governor Miniature, **18**
Bearing, Governor Weight, **15**
Bearing, Raw Water Pump, **46**
Bearing, Starter Ball (24V), **13**
Bearing, Starter Oilless (12V), **12**
Bearing, Water Pump, **31**
Belt, Fan, **32, 33**
Block, Cylinder, **7**
Body, Raw Water Pump, **46**
Box, Control, **66**
Bracket, Belt Guard Bottom, **57**
Bracket, Belt Guard Side, **57**
Bracket, Belt Guard Top, **57**
Bracket, Fuel Pump, **37**
Bracket, Heat Exchanger, **43**
Bracket, Isolated Ground, **55**
Bracket, Lifting, **22**
Bracket, Oil Drain, **49**
Bracket, Remote Separator Mounting, **39**
Bracket, Resistor (24V), **37**
Bracket, Rocker Arm, **27**
Breaker, Circuit, **67, 69**
Breaker, Circuit (15 Amp), **70**
Breaker, Circuit (50 Amp), **70**
Brush, Alternator (24V), **35**
Brush, Starter Yoke (24V), **13**
Bush, Governor Gear, **7**
Bushing, Connecting Rod, **10**
Bushing, Idle Gear, **9**
Bushing, Pipe, **37**

Cam, Fuel, **15**
Camshaft, **9**
Camshaft, Fuel, **15**

Cap, Coolant Tank, **48**
Cap, Cylinder Block Sealing, **7**
Cap, Cylinder Head Sealing, **22**
Cap, Injection Pump Eye Joint, **19**
Cap, Oil Drain Hose Pipe, **49**
Cap, Radiator, **53**
Cap, Stop Lever, **17**
Cap, Valve, **27**
Case, Main Bearing, **14**
Catch, Door, **63**
Circlip, Governor External, **18**
Circlip, Governor Shaft, **15**
Circlip, Idle Gear, **9**
Circlip, Piston Pin, **10**
Circlip, Rocker Arm External, **27**
Clamp, Hose, **45**
Clamp, Injection Pipe, **23**
Clip, Hose, **37**
Clutch, Starter (12V), **12**
Clutch, Starter (24V), **13**
Cock, Cylinder Block Drain, **7**
Collar, Crankshaft, **8**
Collar, Eye Joint, **19**
Collar, Governor, **18**
Collar, Governor Shaft, **15**
Collar, Idle Gear, **9**
Collar, Starter (12V), **12**
Collet, Valve Spring, **27**
Components, Alternator (24V), **35**
Components, Captive Water Pump, **31**
Components, Control Panel (Breaker Switch), **70**
Components, Injection Pump, **20, 21**
Components, Nozzle Holder, **24, 25**
Components, Raw Water Pump, **46**
Components, Remote Water Separator, **40**
Components, Starter, **12**
Components, Starter (12V), **12**
Components, Starter (24V), **13**
Connector Barbed Hose (1/4–18 x 3/8"), **37**
Connector Barbed Hose (1/4–18 x 5/16"), **37**
Connector, Female Bulkhead, **37**
Connector, Fuel System Male, **37**
Connector, Inverted Male, **37**
Control Panel Components (eSDD Display), **69**
Control Panel Components (NIM), **68**
Control, Box, **67**
Controls, **69**
Cord, Glow Plug, **23**
Cover, **19**
Cover, Access, **61**
Cover, Alternator Bearing (24V), **35**
Cover, Bearing Case, **14**
Cover, Control Box, **67**
Cover, Cylinder Head, **29**
Cover, Endbell, **64**
Cover, Flywheel Housing, **11**
Cover, Fork Lever Shaft, **18**

Index

Cover, Gearcase Oil Fill, **30**
Cover, Head Cover Oil Fill, **29**
Cover, Heat Exchanger End, **43**
Cover, Oil Filter Hole, **30**
Cover, Oil Pump, **30**
Cover, Rear, **58**
Cover, Thermostat, **28**
Crankshaft, **8**

Disk, Generator Rotor Drive, **64**
Door, Sound Shield, **62**
Drain Assy, Water Separator, **40**

Edging, Heat Exchanger Bracket, **43**
Elbow, Exhaust , **53**
Elbow, Exhaust (Dry Exhaust), **53**
Elbow, Inverted Male, **37**
Elbow, Male, **37**
Elbow, Molded Exhaust, **53**
Elbow, Oil System, **49**
Elbow, Pipe, **37**
Element, Breather, **29**
Element, Fuel Filter, **37**
Element, Remote Water Separator, **40**
Endbell, **64**
Engine, Replacement, **7**
Exchanger, Heat, **43**
Extension, Mounting Base, **56**

Fan, Generator, **64**
Filter, Fuel, **37, 76**
Filter, Oil, **30, 76**
Fitting, Oil Filter Connector, **30**
Flange, Injection Pump Sleeve, **21**
Flange, Water, **28**
Flange, Water Pump, **31**
Flywheel, **11**

Gasket, Bearing Case, **14**
Gasket, Bearing Case Cover, **14**
Gasket, Cap Nut, **29**
Gasket, Cylinder Block Plug, **7**
Gasket, Cylinder Head, **22**
Gasket, Cylinder Head Cover, **29**
Gasket, Delivery Valve, **21**
Gasket, Exhaust, **53**
Gasket, Exhaust Manifold, **53**
Gasket, Eye Joint, **19**
Gasket, Fork Lever Shaft Cover, **18**
Gasket, Gearcase, **30**
Gasket, Heat Exchanger End Cover, **43**
Gasket, Hole Cover, **19**
Gasket, Injection Pump, **21**
Gasket, Intake Manifold, **51**
Gasket, Nozzle Holder, **23**
Gasket, Oil Drain, **49**
Gasket, Oil Pan, **50**
Gasket, Overflow Pipe, **23**

Gasket, Solenoid Cover, **41**
Gasket, Speed Control Plate, **16**
Gasket, Stop Lever, **17**
Gasket, Thermostat, **28**
Gasket, Water Flange, **28**
Gasket, Water Pump, **31, 45**
Gear, Cam, **9**
Gear, Crankshaft, **8**
Gear, Governor, **15**
Gear, Idle, **9**
Gear, Injection Pump, **15**
Gear, Oil Pump Drive, **8**
Gear, Ring, **11**
Gear, Starter (12V), **12**
Gear, Starter Pinion (24V), **13**
Gearcase, **30**
Generator, **64**
Governor, **18**
Grommet, **53**
Grommet, Remote, **67**
Grommet, Rubber, **58**
Grommet, Stator Housing, **64**
Ground, Isolation, **55**
Guard, Belt, **57**
Guard, Starter, **11**
Guide, Control Box Card, **67**
Guide, Valve, **22**

Hanger, Coolant Tank, **48**
Harness, Battery, **59**
Harness, Control, **68, 73**
Harness, Control , **73**
Harness, Ground, **55**
Harness, Isolated Ground, **55**
Harness, Junction, **75**
Harness, Remote Extension, **75**
Harness, Remote Panel, **71, 72**
Harnesses, **74, 75**
Head Assy, Water Separator Replacement, **40**
Head, Cylinder, **22**
Heat Exchanger, **43**
Holder Assy, Brush (24V), **13**
Holder, Alternator Brush (24V), **35**
Holder, Delivery Valve, **21**
Holder, Governor Gear, **15**
Holder, Nozzle, **23, 25**
Holder, Starter (12V), **12**
Hose, Air Intake, **51**
Hose, Breather, **29**
Hose, Coolant, **45, 53**
Hose, Coolant , **45**
Hose, Coolant Tank, **48**
Hose, Exhaust, **53**
Hose, Exhaust (Wet), **53**
Hose, Oil Drain, **49**
Hose, Coolant, **45**
Hourmeter, **69**

Index

Housing, Bracket, **56**
Housing, Flywheel, **11**
Housing, Generator Sound Shield, **58**
Housing, Raw Water Pump, **46**

Impeller, Captive Water Pump, **31**
Impeller, Raw Water Pump, **46**
Indicator, Oil Level, **7**
Insulation, Door, **62**
Insulation, Duct, **63**
Insulation, Generator, Housing, **59**
Insulation, Housing, **58**
Insulation, Housing (Rear Cover), **58**
Insulation, Housing (Top), **58**
Insulation, Roof, **61**
Insulator, Terminal (Black), **59**
Insulator, Terminal (Red), **59**
Isolator, Generator/Engine Vibration, **56**
Isolator, Vibration, **58**

Joint, Breather Pipe, **29**
Joint, Eye, **19**

Key, Camshaft Feather, **9**
Key, Crankshaft, **8**
Key, Fuel Camshaft Woodruff, **15**
Key, Raw Water Pump, **46**
Kit Isolated, Ground, **55**
Kit Panel, Roof , **61**
Kit Terminal, Boot , **59**
Kit, Adapter Fuel, 3/8", **37**
Kit, Adapter Fuel, 5/16", **37**
Kit, Adapter Metric, **37**
Kit, Belt Guard, **57**
Kit, Control, **69**
Kit, Coolant Recovery, **48**
Kit, Cruise, **76**
Kit, Door, **62**
Kit, Dry Exhaust, **53**
Kit, Exhaust, **53**
Kit, Heat Exchanger Cap, **43**
Kit, Keel Cooling, **7**
Kit, Low Coolant Sender, **53**
Kit, Major Water Service, **46**
Kit, Minor Water Service, **46**
Kit, Muffler, Fuel/Water Separator, **38**
Kit, Muffler, Marine, **38**
Kit, O-Ring, Water Separator, **40**
Kit, Panel Remote, **71**
Kit, Panel, Duct , **63**
Kit, Panel, Front , **63**
Kit, Panel, Roof Extension, **63**
Kit, Remote Fuel/Water Separator, **39**
Kit, Remote Panel, **72**
Kit, Remote Switch Harness, **71**
Kit, Remote Water Separator Metal Bowl Replacement, **40**
Kit, Sender, **28**
Kit, Siphon Break, **47**

Kit, Sound Shield, **61**
Kit, Terminal Boot , **59**
Kit, Water Separator, **38**

Label, Control , **70**
Label, Indicator, **71**
Label, Information, **69**
Labels, **76**
Latch, Door (1/4 Turn), **62**
Lever Assy, Governor, **17**
Lever, Fork, **18**
Lever, Governor, **17**
Line, Fuel (.25"), **37**
Line, Fuel (28.5"), **37**
Line, Fuel (38.5"), **37**

Manifold, Exhaust, **52, 53**
Manifold, Intake, **51**
Meter, Hour, **70, 72**
Mixer, Elbow (Wet), **53**
Mount, Engine, **56**
Mounting, Printed Circuit Board, **65**
Muffler, **38**

Neck, Filler, **53**

O'Ring, Cylinder Block Pipe Pin, **7**
O'Ring, Cylinder Head , **22**
O'Ring, Gearcase, **30**
O'Ring, Gearcase Oil Fill Cover, **30**
O'Ring, Head Cover Oil Fill Cover, **29**
O'Ring, Heat Exchanger Cover, **43**
O'Ring, Hole Cover, **30**
O'Ring, Injection Pump, **21**
O'Ring, Oil Filter Cover, **30**
O'Ring, Oil Pickup Tube, **50**
O'Ring, Oil Pump Drive Gear, **8**
O'Ring, Raw Water Pump, **46**
O'Ring, Speed Control Plate, **16**
Oil System, **49**

Pan, Oil, **50**
Panel, Control, **70**
Panel, Control(Gnd), **70**
Panel, Display, **69**
Panel, Duct, **63**
Panel, Front, **63**
Panel, Generator Housing, **59**
Panel, Generator, Housing, **59**
Panel, Housing, **58**
Panel, Remote, **71**
Panel, Remote Control, **71, 72**
Panel, Remote Printed, **72**
Panel, Roof, **61**
Panel, Roof End, **63**
Panel, Roof Extension, **63**
Panel, Roof Insulation (EXT), **63**
Panel, UMC Mounting, **65**

Index

PCB Assy, Control, **65**
Pencil, Zinc, **43**
Piece, Distance, **25**
Piece, Nozzle, **25**
Pin, Cylinder Block Pipe, **7**
Pin, Cylinder Block Start Spring, **7**
Pin, Cylinder Block Straight, **7**
Pin, Injection Pump Clamp, **21**
Pin, Injection Pump Joint, **21**
Pin, Piston, **10**
Pin, Tappet Guide, **21**
Pipe, Injection, **23**
Pipe, Overflow, **23**
Pipe, Water Return, **28, 31**
Piston, **10**
Plate, Breather Element, **29**
Plate, Injection Pump, **21**
Plate, Raw Water Pump Cover, **46**
Plate, Raw Water Pump Wear, **46**
Plate, Speed Control, **16**
Plug, **21**
Plug, Cylinder Block, **7**
Plug, Cylinder Head, **22**
Plug, Fuel Filter Drain, **37**
Plug, Gearcase, **30**
Plug, Glow, **23**
Plug, Oil Pan, **50**
Plug, Vent, **40**
Plug, Water Flange, **28**
Plunger, Pump, **21**
Pulley, Fan, **32, 33**
Pulley, Fan Drive, **32, 33**
Pump Assy, Water Separator, **40**
Pump, Fuel, **36, 37**
Pump, Injection, **19, 21**
Pump, Water, **31**

Rack, Injection Pump Control, **21**
Rectifier, Alternator (24V), **35**
Reducer, Bushing, **49**
Reducer, Hose Connector, **45**
Regulator, Alternator (24V), **35**
Relay, Isolated Ground Solenoid, **55**
Resistor (24V), **37**
Resonator, **51**
Resonator Intake, **51**
Resonator, Intake, **51**
Retainer, Starter (24V), **13**
Retainer, Valve Spring, **27**
Ring, Raw Water Pump Retaining, **46**
Ring, Starter Snap (12V), **12**
Rivet, Drive Plastic, **68**
Rod, Camshaft Push, **9**
Rod, Connecting, **10**
Rod, Nozzle Holder Push, **25**
Roller, Starter (24V), **13**
Rotor, Alternator (24V), **35**
Rotor, Generator, **64**

Rotor, Generator Exciter, **64**
Rotor, Oil Pump, **30**

Screw, Air Bleed, **21**
Seal, Bearing Case Oil, **14**
Seal, Endbell O'Ring, **64**
Seal, Gearcase Oil, **30**
Seal, Heat, **23**
Seal, Raw Water Pump Lip, **46**
Seal, Raw Water Pump Mechanical, **46**
Seal, Valve Stem, **27**
Seal, Water Pump Mechanical, **31**
Seal, Weather, **60**
Seal, Weather (15.6'), **62**
Seat, Injection Pump Spring, **21**
Seat, Pressure Valve, **30**
Seat, Raw Water Pump Seal, **46**
Sender, Oil Pressure, **49**
Sender, Water Temperature, **28**
Separator, Remote Fuel/Water, **39**
Separator, Remote Fuel/Water Separator, **39**
Separator, Remote Water, **40**
Separator, Water, **38**
Set, Piston Ring, **10**
Shaft, Fork Lever, **18**
Shaft, Governor, **15, 16**
Shaft, Governor Weight, **15**
Shaft, Idle Gear, **9**
Shaft, Raw Water Pump, **46**
Shaft, Rocker Arm, **27**
Shaft, Stop Lever, **16**
Shield, Breather Oil, **29**
Shield, Engine Sound, **61**
Shield, Sound, Panel Engine, **63**
Shield, Sound, Panel, Engine, **62**
Shim, Injection Pump, **19, 21**
Shim, Injection Pump (.30mm), **19**
Sleeve, Air Intake, **51**
Sleeve, Crankshaft, **8**
Sleeve, Governor, **15**
Sleeve, Injection Pump Control, **21**
Spacer, Raw Water Pump, **46**
Spring, Alternator Brush (24V), **35**
Spring, Brush (24V), **13**
Spring, Delivery Valve, **21**
Spring, Governor, **18**
Spring, Governor Start, **18**
Spring, Injection Pump Plunger, **21**
Spring, Nozzle, **25**
Spring, Pressure, **30**
Spring, Rocker Arm, **27**
Spring, Speed Control Plate Return, **16**
Spring, Valve, **27**
Standoff, Insulator, **67**
Starter (24V), **13**
Starter (Mounting), **11**
Stator, Exciter, **64**
Stator, Generator, **64**

Index

Stay, Alternator, **32, 33**
Stopper, Camshaft, **9**
Stopper, Fuel Camshaft, **15**
Strainer, Water Pickup, **38**
Strap, Bond, **51, 67**
Strap, Heat Exchanger Mounting, **43**
Stud, **53**
Switch, Pressure, **45**
Switch, Rocker (S11), **71, 72**
Switch, Rocker, SPDT, **70**
Switch, Starter Magnetic (12V), **12**
Switch, Starter Magnetic (24V), **13**
Switch, Temperature (Wet), **53**
System, Cooling, **44**

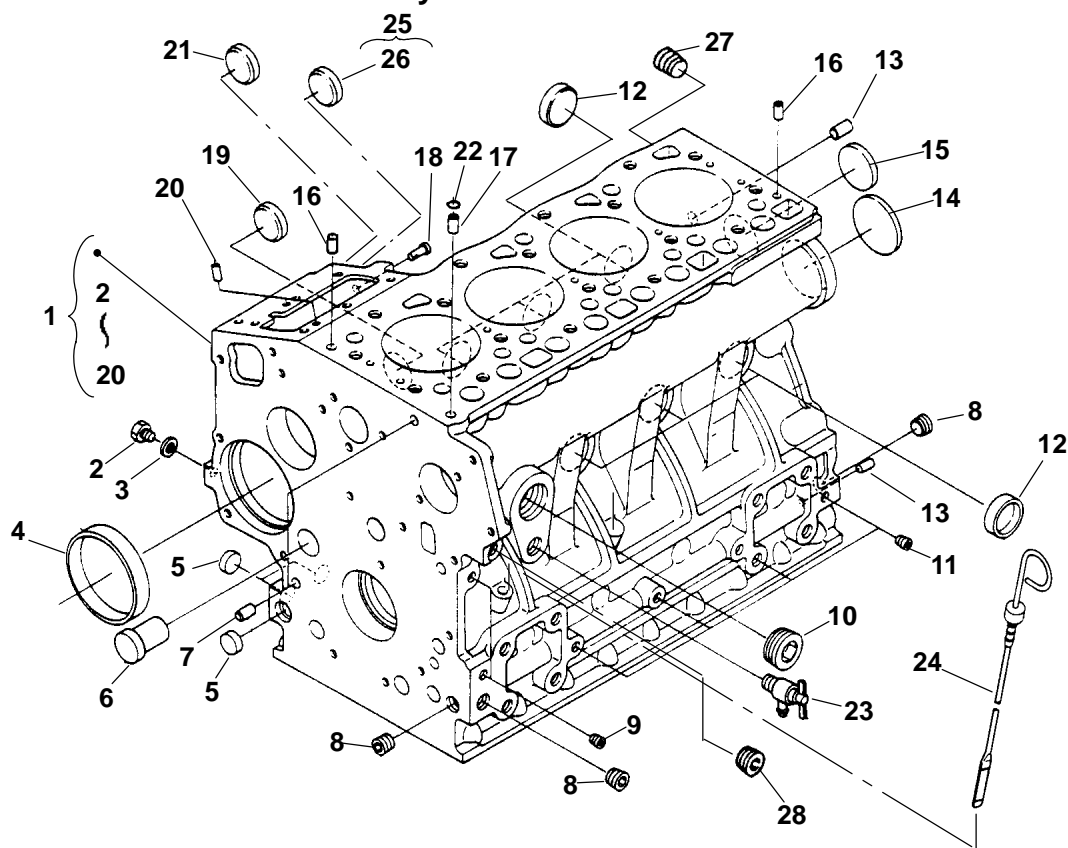
Tank, Coolant Recovery, **48**

Tappet, Camshaft, **9**
Tappet, Injection Pump, **21**
Thermostat, **28**
Tube, Exhaust, **53**
Tube, Exhaust (Wet), **53**
Tube, Low Pressure Switch, **45**
Tube, Oil Pickup, **50**

Valve, **27**
Valve, Delivery, **21**
Valve, Vacuum Relief, **47**

Water Pump, **45**
Water Separator/Muffler, **38**
Weight, Governor, **15**

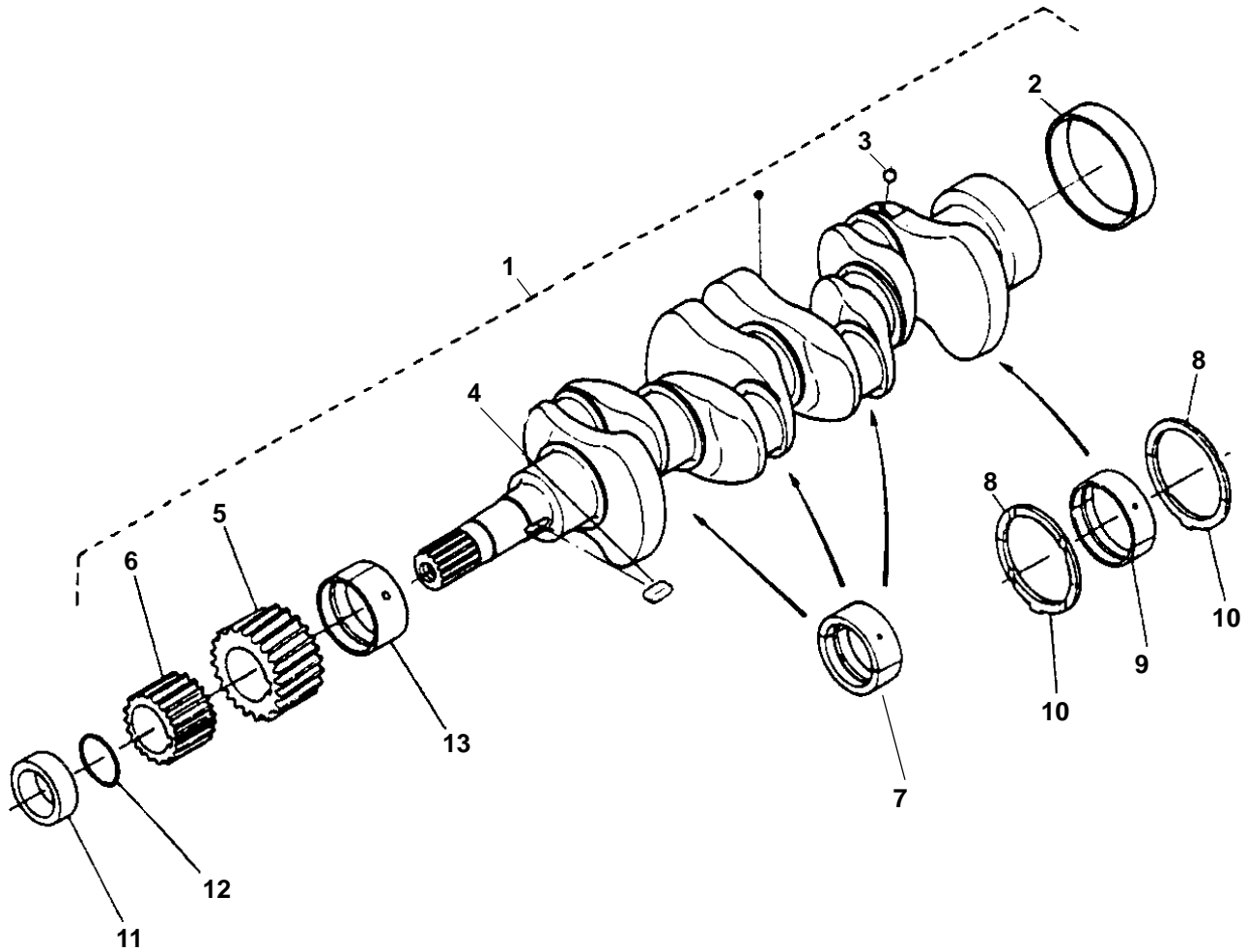
Cylinder Block



REF NO.	PART NO.	QTY. USED	PART DESCRIPTION	REF NO.	PART NO.	QTY. USED	PART DESCRIPTION
			Engine, Replacement	12	185-5484	6	*Cap, Sealing
			MDKBL 3 Cylinder	13	185-5487	2	*Pin, Straight
	100-3810-01	1	12V	14	185-6040	1	*Plug, Expansion
	100-3810-02	1	24V	15	185-2412	1	*Cap, Sealing
			MDKBM 4 Cylinder	16	185-5843	2	*Pin, Straight
	100-3811-01	1	12V	17	185-6469	1	*Pin, Pipe
	100-3811-02	1	24V	18		1	*Pin, Start Spring
			MDKBN 4 Cylinder		185-6857	1	MDKBL
	100-3812-01	1	12V		185-2102	1	MDKBM, MDKBN
	100-3812-02	1	24V	19	185-7212	1	*Plug
1			Block, Cylinder (Includes Parts	20	185-5486	2	*Pin, Straight
			Marked *)	21	185-6889	1	Cap, Sealing
	185-7372	1	MDKBL	22	185-2095	1	O'Ring
	185-7245	1	MDKBM	23	185-5490	1	Cock Assy, Drain
	185-7302	1	MDKBN	24			Indicator, Oil Level
2	185-5845	1	*Plug		185-7103	1	MDKBL
3	185-2338	1	*Gasket		185-6866	1	MDKBM, MDKBN
4	185-6472	1	*Bush, Governor Gear	25	155-3199	1	Kit, Keel Cooling (Includes
5	185-6121	3	*Plug, Expansion				Plug)
6	185-6471	1	*Plug	26	185-7212	1	*Plug
7	185-2115	2	*Pin, Pipe	27	185-6039	1	Plug (MDKBL)
8	185-6468	3	*Plug	28	184-0072	1	Plug Square Head (MDKBL)
9	185-2233	2	*Plug				
10	185-6856	1	*Plug				
11	185-2188	4	*Plug				

* - Parts Included in Cylinder Block.

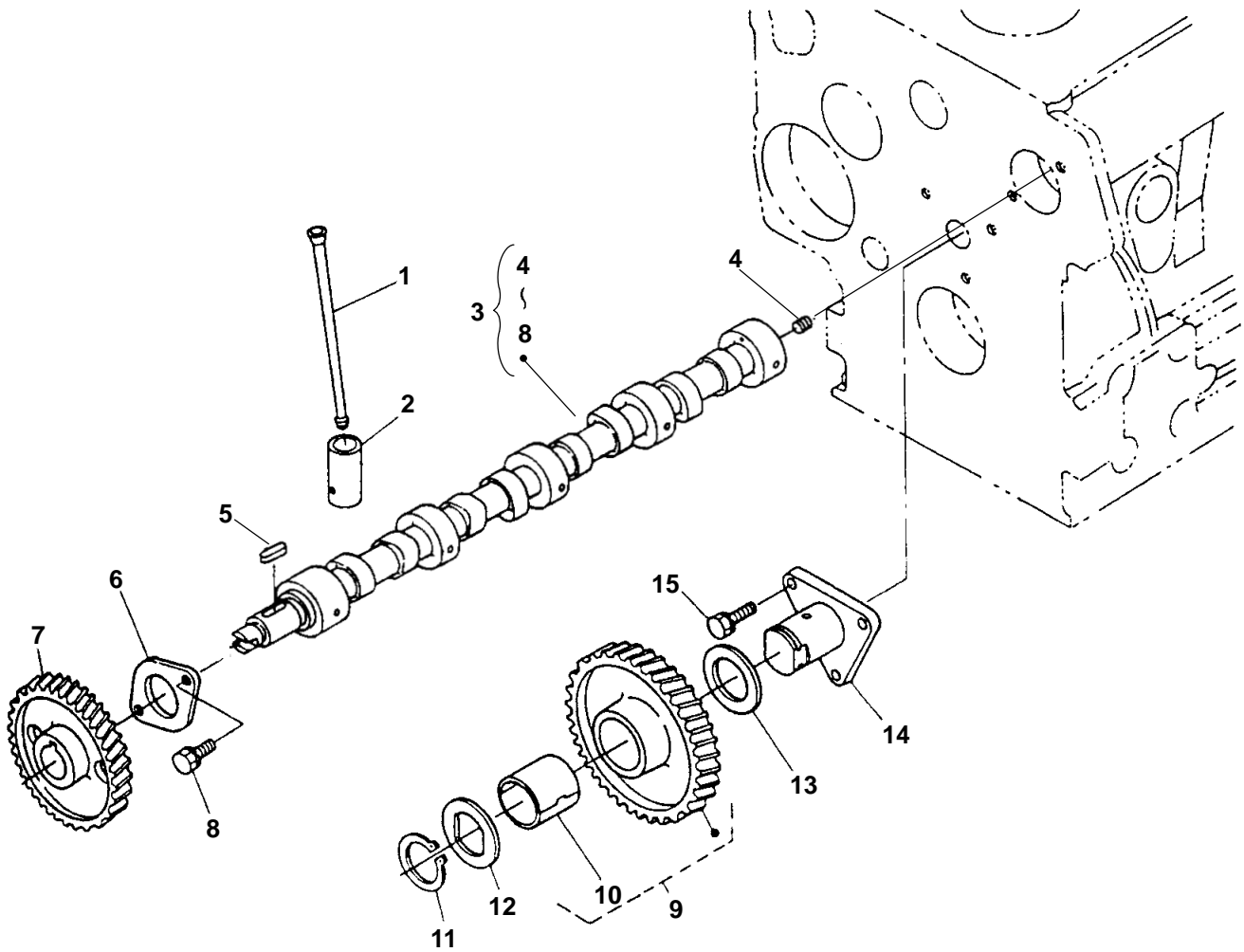
Crankshaft



REF NO.	PART NO.	QTY. USED	PART DESCRIPTION	REF NO.	PART NO.	QTY. USED	PART DESCRIPTION
1			Crankshaft (Includes Parts Marked *)	8			Washer, Thrust
	185-7376	1	MDKBL		185-5938	2	Standard
	185-7249	1	MDKBM		185-6555	2	.2mm, Oversize
	185-7312	1	MDKBN		185-6556	2	.4mm, Oversize
2	185-6543	1	*Sleeve, Crankshaft	9			Bearing, Crankshaft
3			*Ball		185-6552	1	Standard
	185-5924	3	MDKBL		185-6553	1	.2mm, Undersize
	185-5924	4	MDKBM, MDKBN		185-6554	1	.4mm, Undersize
4	185-6541	1	*Key	10			Washer, Thrust
5	185-6540	1	*Gear, Crankshaft		185-5941	2	Standard
6	185-6542	1	*Gear, Oil Pump Drive		185-5942	2	.2mm, Oversize
7			Bearing, Crankshaft		185-5943	2	.4mm, Oversize
			MDKBL	11	185-6544	1	Collar, Crankshaft
	185-6549	2	Standard	12	185-6545	1	O'Ring
	185-6550	2	.2mm, Undersize	13			Bearing, Crankshaft
	185-6551	2	.4mm, Undersize		185-6546	1	Standard
			MDKBM, MDKBN		185-6547	1	.2mm, Undersize
	185-6549	3	Standard		185-6548	1	.4mm, Undersize
	185-6550	3	.2mm, Undersize				
	185-6551	3	.4mm, Undersize				

* - Parts Included With Crankshaft.

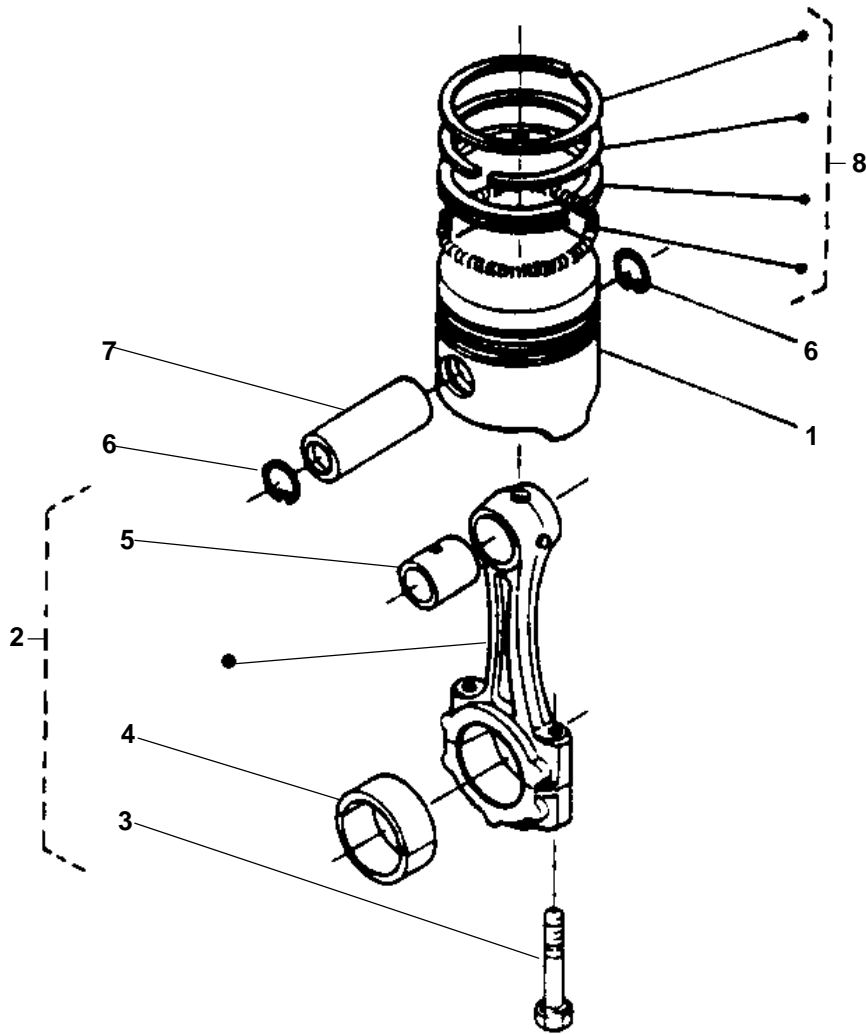
Camshaft



REF NO.	PART NO.	QTY. USED	PART DESCRIPTION	REF NO.	PART NO.	QTY. USED	PART DESCRIPTION
1	185-6517	8	Rod, Push	9	185-6521	1	Gear Assy, Idle (Includes Bushing)
2	185-6516	8	Tappet	10	185-6522	1	Bushing, Idle Gear
3			Camshaft Assy (Includes Parts Marked *)	11	185-6525	1	Circlip, Idle Gear
	185-6873	1	MDKBL	12	185-6524	1	Collar, Idle Gear
	185-6518	1	MDKBM, MDKBN	13	185-6523	1	Collar, Idle Gear
4	185-5558	1	*Screw, Set	14	185-6526	1	Shaft, Idle Gear
5	185-5560	1	*Key, Feather	15	185-2388	3	Bolt
6	185-6520	1	*Stopper, Camshaft				
7	185-6519	1	*Gear, Cam				
8	185-2387	2	*Bolt				

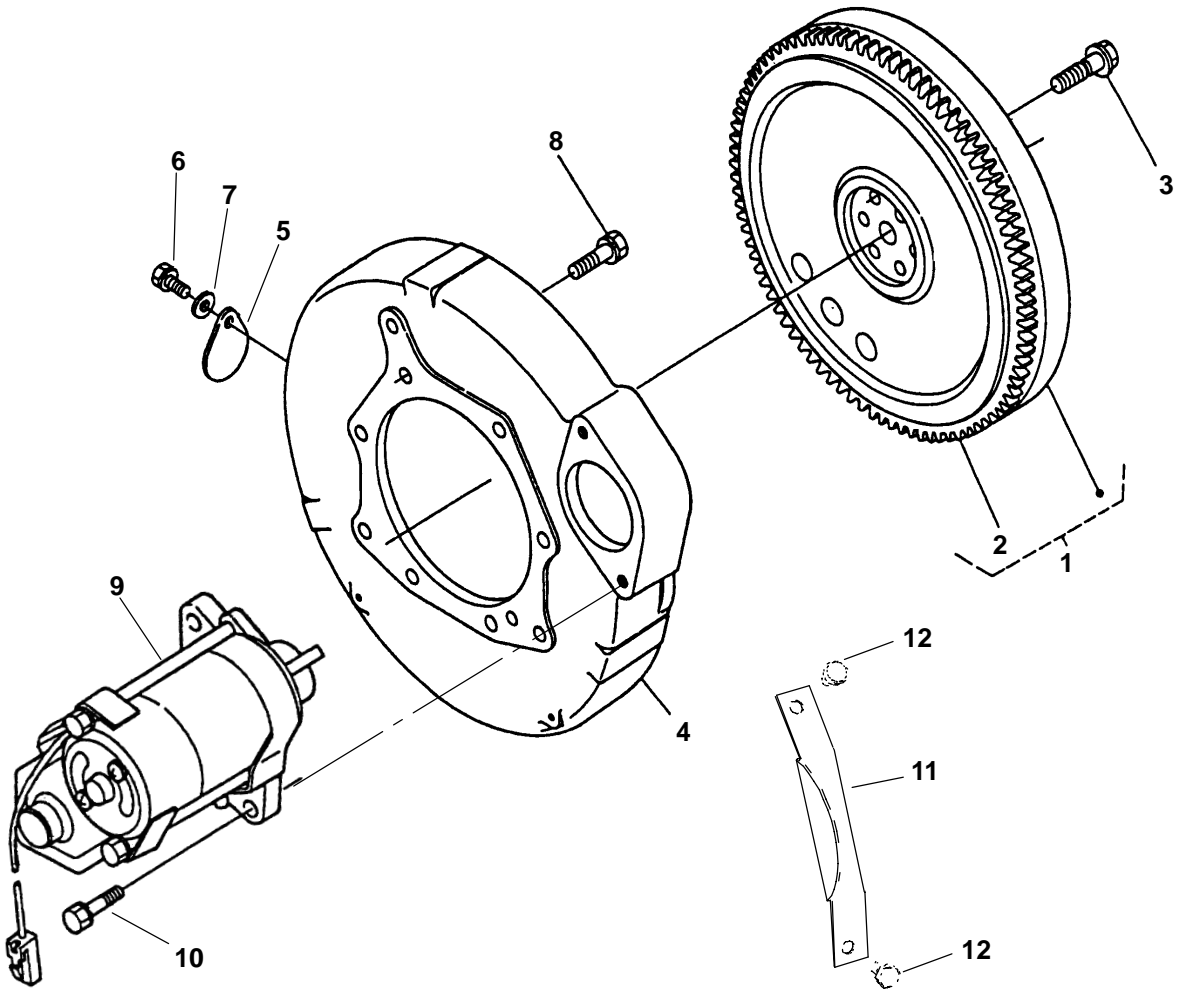
* - Parts Included in Camshaft Assy.

Piston



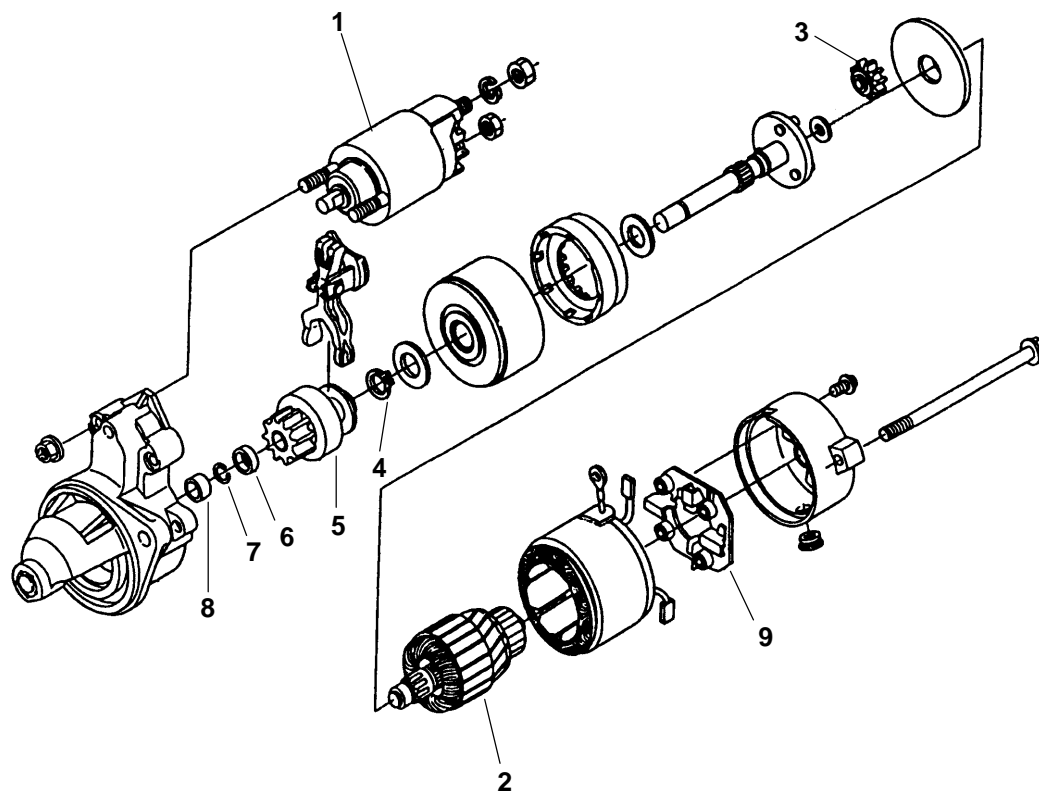
REF NO.	PART NO.	QTY. USED	PART DESCRIPTION	REF NO.	PART NO.	QTY. USED	PART DESCRIPTION
1			Piston	5	185-6534	4	Bushing, Connecting Rod
	185-7308	3	MDKBL Standard	6	185-6532	8	Circlip, Piston Pin
	185-7309	3	5mm, Oversize	7	185-6531	4	Pin, Piston
			MDKBM	8			Ring Set, Piston
	185-6745	4	Standard		185-7310	3	MDKBL Standard
	185-6746	4	.5mm, Oversize		185-7311	3	.5mm Oversize MDKBM
			MDKBN		185-6529	4	Standard
	185-7308	4	Standard		185-6530	4	.5mm Oversize
	185-7309	4	.5mm Oversize				MDKBN
2	185-6533	4	Rod Assy, Connecting (Includes Bolt, Bearing and Bushing)		185-7310	4	Standard
3	185-6535	8	Bolt, Connecting Rod		185-7311	4	.5mm Oversize
4			Bearing, Connecting Rod				
	185-6536	4	Standard				
	185-6537	4	.2mm Undersize				
	185-6538	4	.4mm Undersize				

Flywheel



REF NO.	PART NO.	QTY. USED	PART DESCRIPTION	REF NO.	PART NO.	QTY. USED	PART DESCRIPTION
1	185-7217	1	Flywheel (Includes Ring Gear)	8	185-2178	8	Bolt
	185-7250	1	MDKBL	9			Starter (See Separate Page for Components)
2	185-2170	1	MDKBM, MDKBN		185-7104	1	12V
3	185-2170	1	Gear, Ring		185-7105	1	24V
4	185-6409	6	Bolt, Flywheel	10	185-2564	2	Screw
5	185-7218	1	Housing, Flywheel	11	191-2275-02	1	Guard, Starter (24V Grounded)
6	185-7219	1	Cover	12	815-0194	2	Screw, Hex Head (24V Grounded) (#10-32 x 3/8")
7	185-7222	1	Bolt				
	185-7221	1	Washer, Plain				

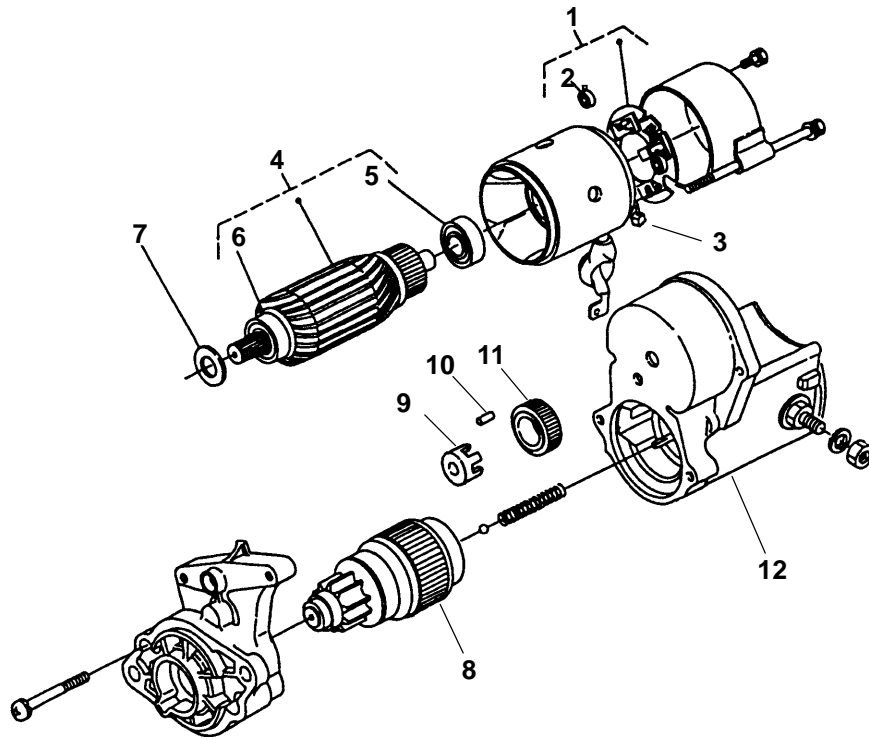
Starter Components (12V)



REF NO.	PART NO.	QTY. USED	PART DESCRIPTION	REF NO.	PART NO.	QTY. USED	PART DESCRIPTION
	185-7104	1	Starter	6	185-7236	1	Collar
1	185-2658	1	Switch, Magnetic	7	185-6386	1	Ring, Snap
2	185-7231	1	Armature	8	185-7233	1	Bearing, Oilless
3	185-7234	3	Gear	9	185-7230	1	Holder, Brush
4	185-7235	1	Ring, Snap				
5	185-7232	1	Clutch, Starter				

Note: Parts not Identified are Not For Sale.

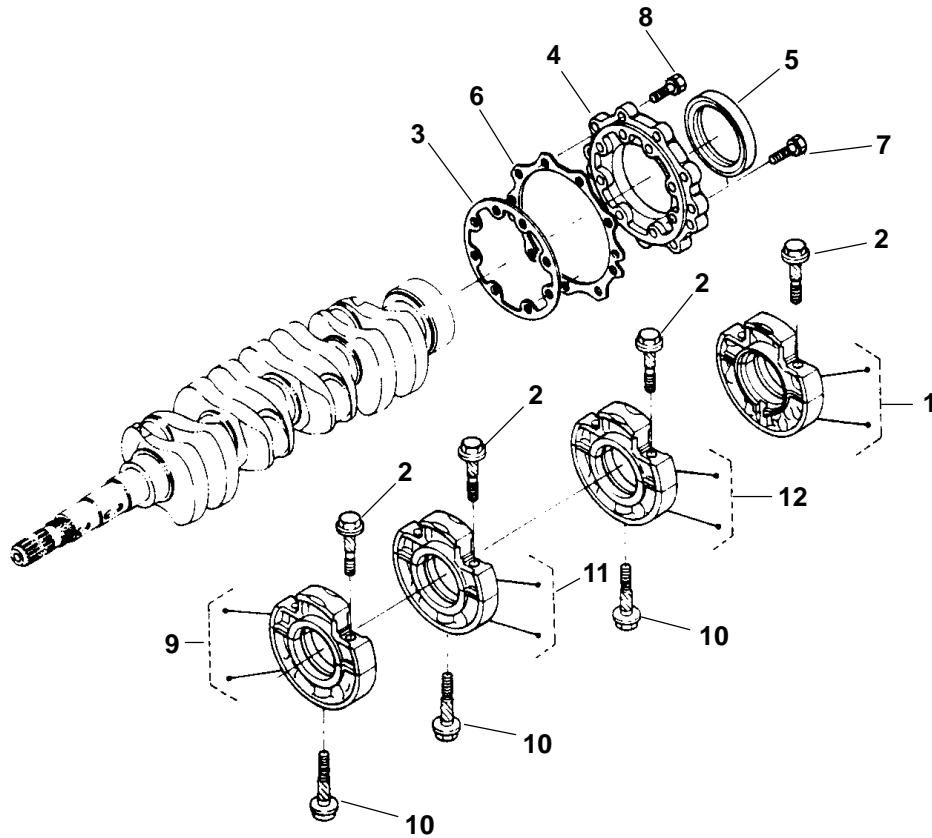
Starter Components (24V)



REF NO.	PART NO.	QTY. USED	PART DESCRIPTION	REF NO.	PART NO.	QTY. USED	PART DESCRIPTION
	185-7105	1	Starter	8	185-6354	1	Clutch
1	185-7240	1	Holder Assy, Brush	9	185-6362	1	Retainer
2	185-6358	4	Spring, Brush	10	191-2252	5	Roller
3	185-7237	2	Brush, Yoke	11	185-7296	5	Gear, Pinion
4	185-7238	1	Armature	12	185-7239	1	Switch, Magnetic
5	185-6442	1	Bearing, Ball				
6	185-6441	1	Bearing, Ball				
7	185-6365	1	Washer, Felt				

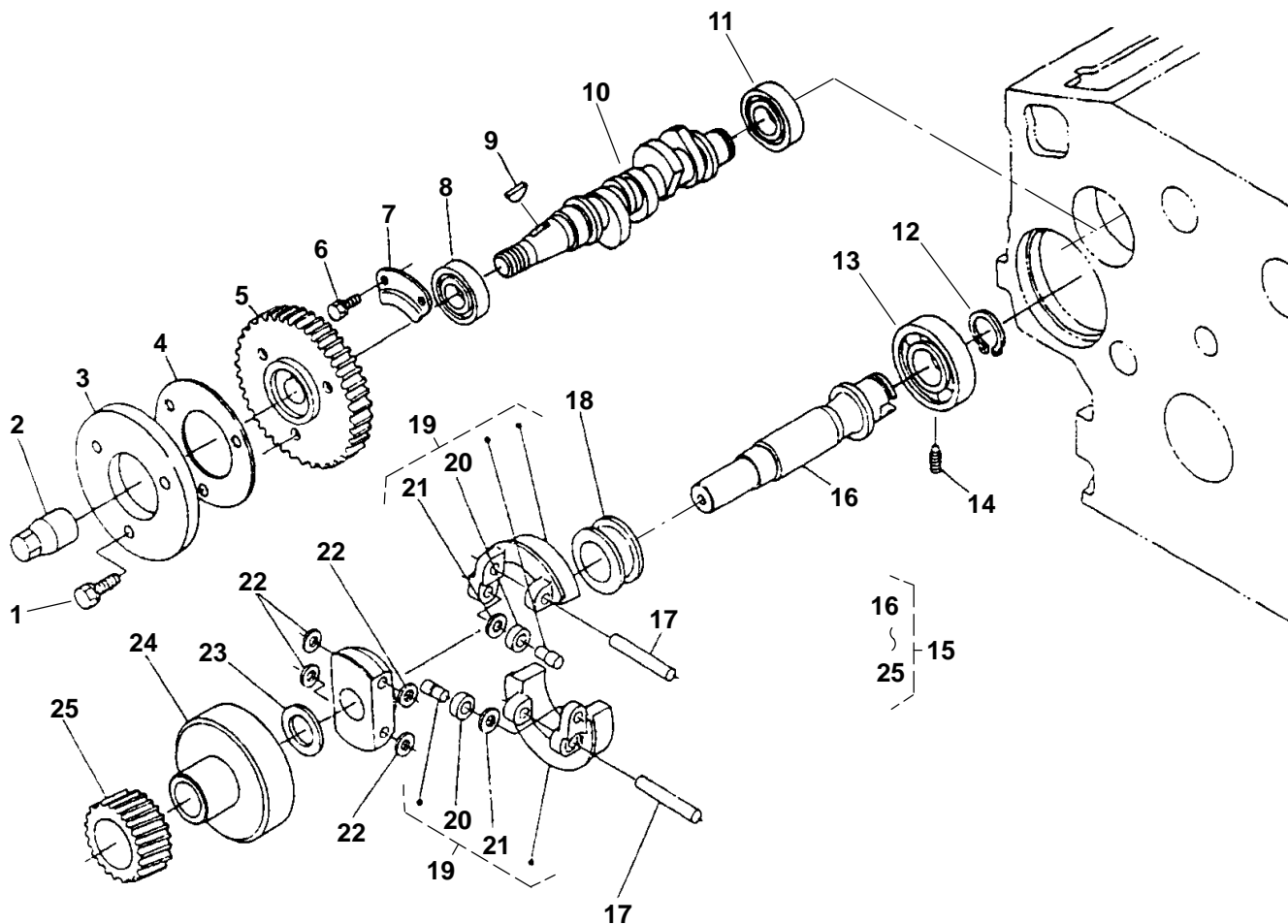
Note: Parts Not Identified are Not Sold Separately.

Main Bearing Case



REF NO.	PART NO.	QTY. USED	PART DESCRIPTION	REF NO.	PART NO.	QTY. USED	PART DESCRIPTION
1	185-6506	1	Case, Main Bearing	10			Bolt, Bearing Case
2			Bolt, Bearing Case	185-6513	2		MDKBL
	185-6507	6	MDKBL	185-6513	3		MDKBM, MDKBN
	185-6507	8	MDKBM, MDKBN	11			Case, Main Bearing
3	185-6869	1	Gasket, Bearing Case	185-7306	1		MDKBL, MDKBN
4	185-6509	1	Cover, Bearing Case	185-6514	1		MDKBM
5	185-6510	1	Seal, Oil	12			Case, Main Bearing
6	185-6871	1	Gasket, Bearing Case Cover	185-6515	1		MDKBM
7	185-2391	8	Bolt	185-7305	1		MDKBN
8	185-2390	9	Bolt				
9			Case, Main Bearing				
	185-7305	1	MDKBL, MDKBN				
	185-6512	1	MDKBM				

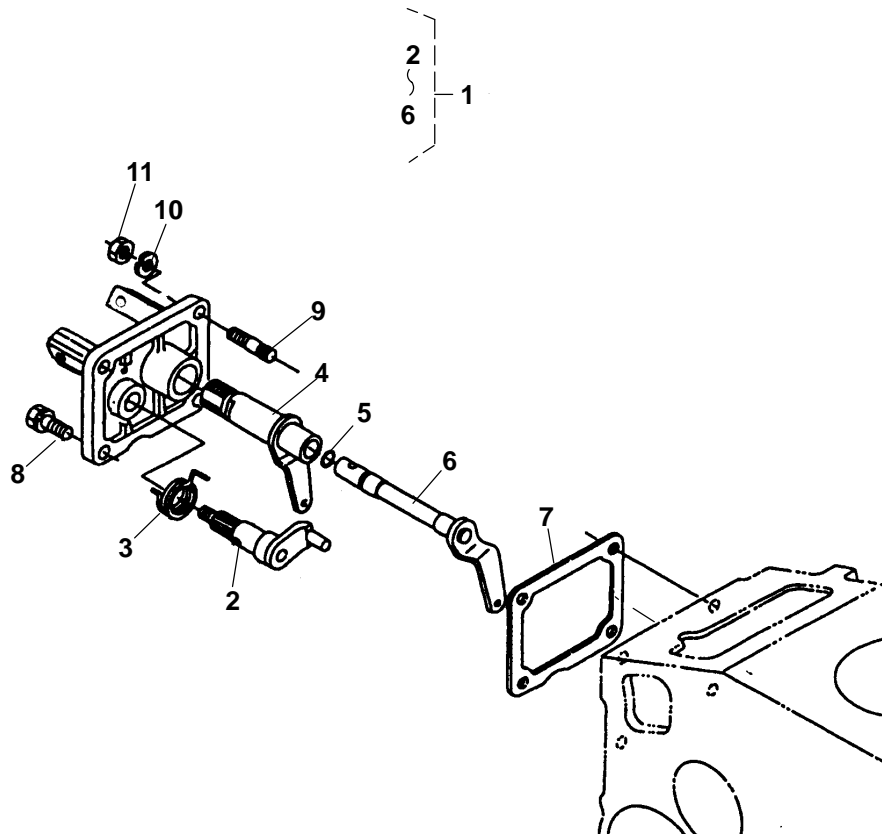
Fuel Camshaft



REF NO.	PART NO.	QTY. USED	PART DESCRIPTION	REF NO.	PART NO.	QTY. USED	PART DESCRIPTION
1	185-2389	3	Bolt	16			*Shaft, Governor
2	185-6560	1	Nut, Cap	185-6878	1		MDKBL
3	185-6876	1	Cam, Fuel	185-6564	1		MDKBM, MDKBN
4	185-6879	1	Washer	17	185-6569	2	*Shaft, Governor Weight
5	185-6558	1	Gear, Injection Pump	18	185-6570	1	*Sleeve, Governor
6	185-2386	2	Bolt	19	185-6567	2	*Weight, Governor (Includes Bearing and Washer)
7	185-6562	1	Stopper, Fuel Camshaft	20	185-5959	2	Bearing
8	185-3093	1	Bearing, Ball	21	185-5960	2	Washer
9	185-6561	1	Key, Woodruff	22	185-6568	4	*Washer, Governor Weight
10			Camshaft, Fuel	23	185-6566	1	*Collar, Governor Shaft
	185-6875	1	MDKBL	24	185-6880	1	*Holder, Governor Gear
	185-6741	1	MDKBM, MDKBN	25	185-6565	1	*Gear, Governor
11	510-0163	1	Bearing, Ball				
12	185-6572	1	Circlip, Governor Shaft				
13	185-6571	1	Bearing, Ball				
14	185-6573	1	Screw, Set				
15			Shaft Assy, Governor (Includes Parts Marked *)				
	185-6877	1	MDKBL				
	185-6563	1	MDKBM, MDKBN				

* - Parts Included in Governor Shaft Assy.

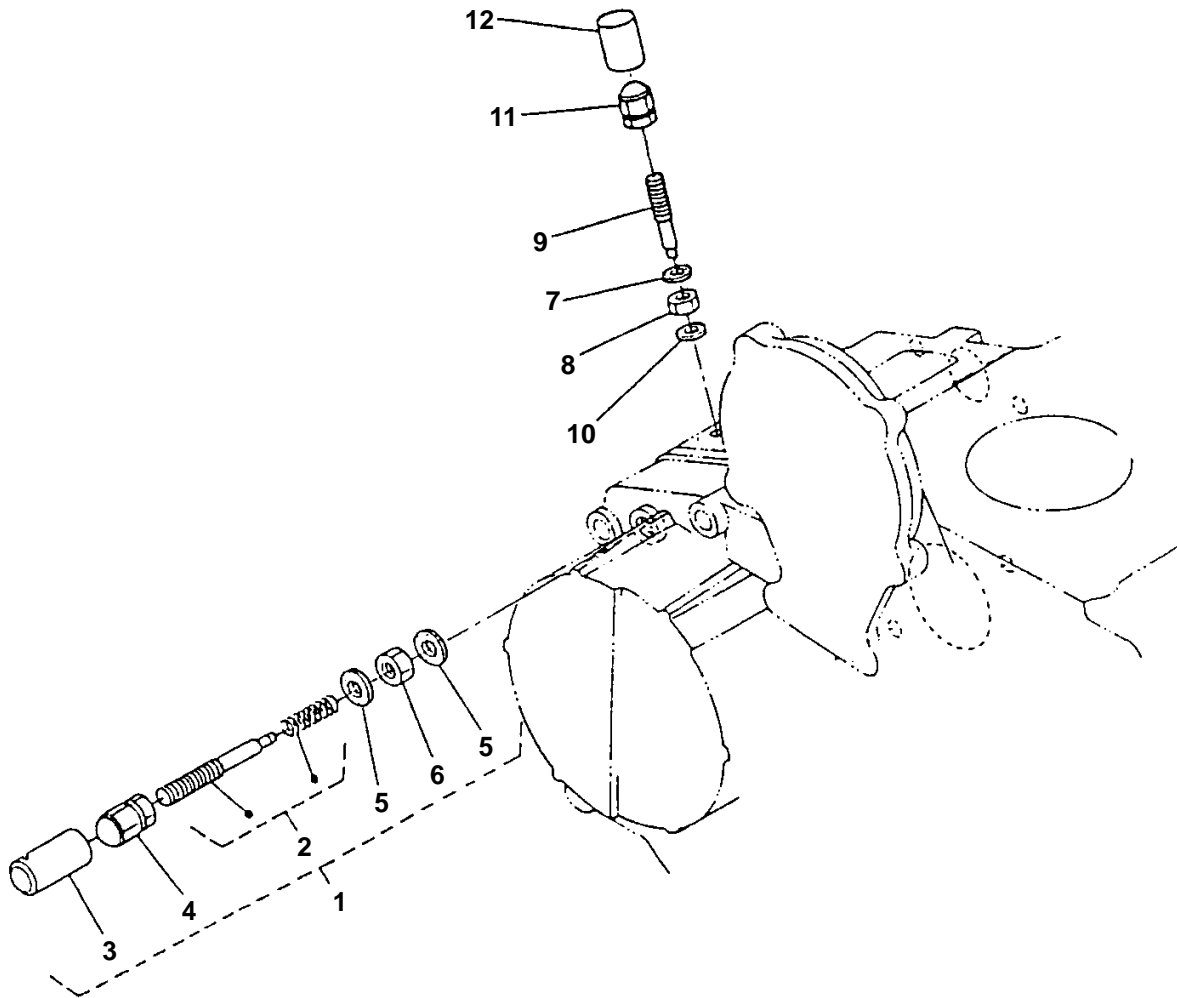
Speed Control Plate



REF NO.	PART NO.	QTY. USED	PART DESCRIPTION	REF NO.	PART NO.	QTY. USED	PART DESCRIPTION
1	185-7256	1	Plate Assy, Control (Includes Parts Marked *)	7	185-6894	1	Gasket
2	185-6615	1	*Shaft, Stop Lever	8	185-2388	1	Bolt
3	185-6614	1	*Spring, Return	9	185-2359	2	Stud
4	185-7260	1	*Shaft, Governor	10	185-6759	2	Washer, Spring
5	185-2347	1	*O'Ring	11	185-4255	2	Nut
6	185-7259	1	*Shaft, Governor				

* - Parts Included in Control Plate Assy.

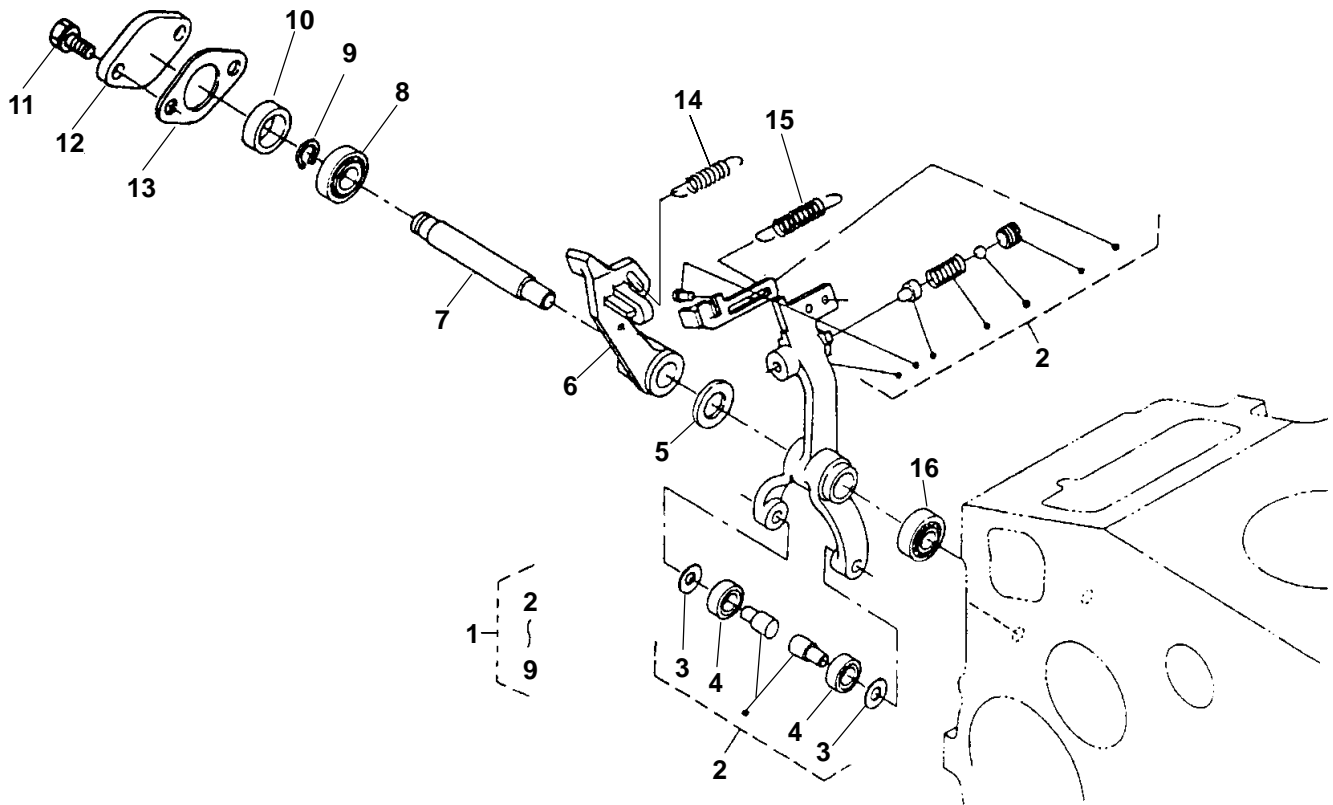
Governor Lever



REF NO.	PART NO.	QTY. USED	PART DESCRIPTION	REF NO.	PART NO.	QTY. USED	PART DESCRIPTION
1	185-6574	1	Lever Assy, Governor (Includes Parts Marked *)	8	185-6931	1	Nut, Lock
2	185-6575	1	*Bolt Assy, Adjusting	9	185-6577	1	Bolt, Adjusting
3	185-6930	1	*Cap	10	185-6881	1	Gasket
4	185-5685	1	*Nut, Cap	11	185-5685	1	Nut, Cap
5	185-2284	2	*Gasket	12	185-6932	1	Cap
6	185-5684	1	*Nut				
7	185-2284	1	Gasket				

* - Parts Included in Governor Lever Assy.

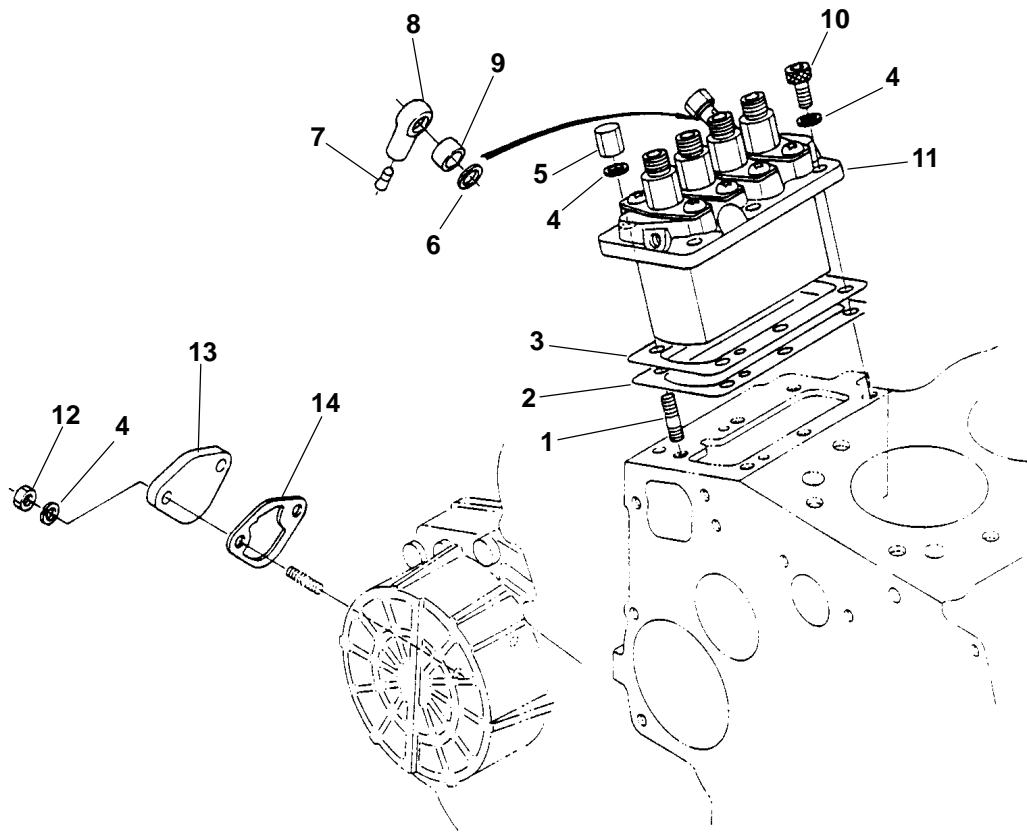
Governor



REF NO.	PART NO.	QTY. USED	PART DESCRIPTION	REF NO.	PART NO.	QTY. USED	PART DESCRIPTION
1	185-7254	1	Lever Assy, Fork (Includes Parts Marked *)	12	185-6602	1	Cover, Fork Lever Shaft
2	185-7255	1	*Lever, Fork (Includes Washer and Bearing)	13	185-6603	1	Gasket
3	185-5960	2	Washer	14			Spring, Governor MDKBL
4	185-5959	2	Bearing		185-7377	1	60 Hz
5	185-6163	1	*Washer, Plain		185-7378	1	50 Hz
6	185-6598	1	*Lever, Fork		185-7253	1	MDKBM, MDKBN
7	185-6599	1	*Shaft, Fork Lever	15			Spring, Start
8	185-6600	1	*Bearing, Miniature		185-6891	1	MDKBL
9	185-6601	1	*Circlip, External		185-7252	1	MDKBM, MDKBN
10	185-6604	1	Collar	16	185-6605	1	Bearing, Miniature
11	185-2387	2	Bolt				

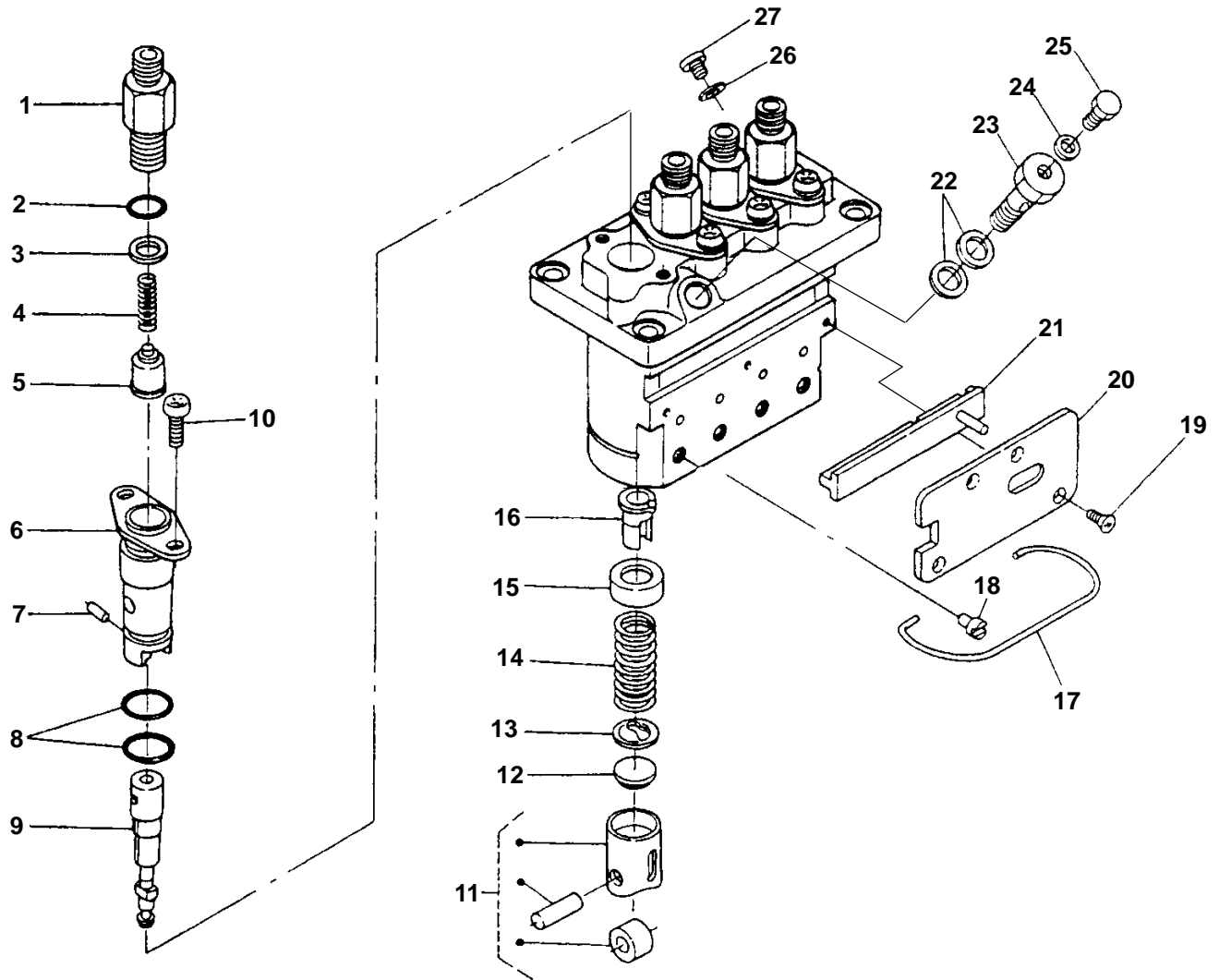
* - Parts Included in Fork Lever Assy.

Injection Pump



REF NO.	PART NO.	QTY. USED	PART DESCRIPTION	REF NO.	PART NO.	QTY. USED	PART DESCRIPTION
1	185-5624	3	Stud	7	185-6586	1	Cap
2	185-6845	1	Shim, Injection Pump (.30mm)	8	185-6584	1	Joint, Eye
3			Shim, Injection Pump MDKBL	9	185-6585	1	Collar, Eye Joint
	185-6749	AR	.20mm	10	185-5623	32	Bolt, Hex Socket Head
	185-6739	AR	.25mm	11			Pump Assy, Injection (See Separate Page for Components)
	185-6742	AR	.20mm		185-6882	1	MDKBL
	185-6743	AR	.25mm		185-6748	1	MDKBM, MDKBN
4	185-6759	86	Washer, Spring	12	185-4255	2	Nut
5	185-5625	32	Nut, Cap	13	185-5798	1	Cover
6	185-2578	1	Gasket	14	185-6580	1	Gasket

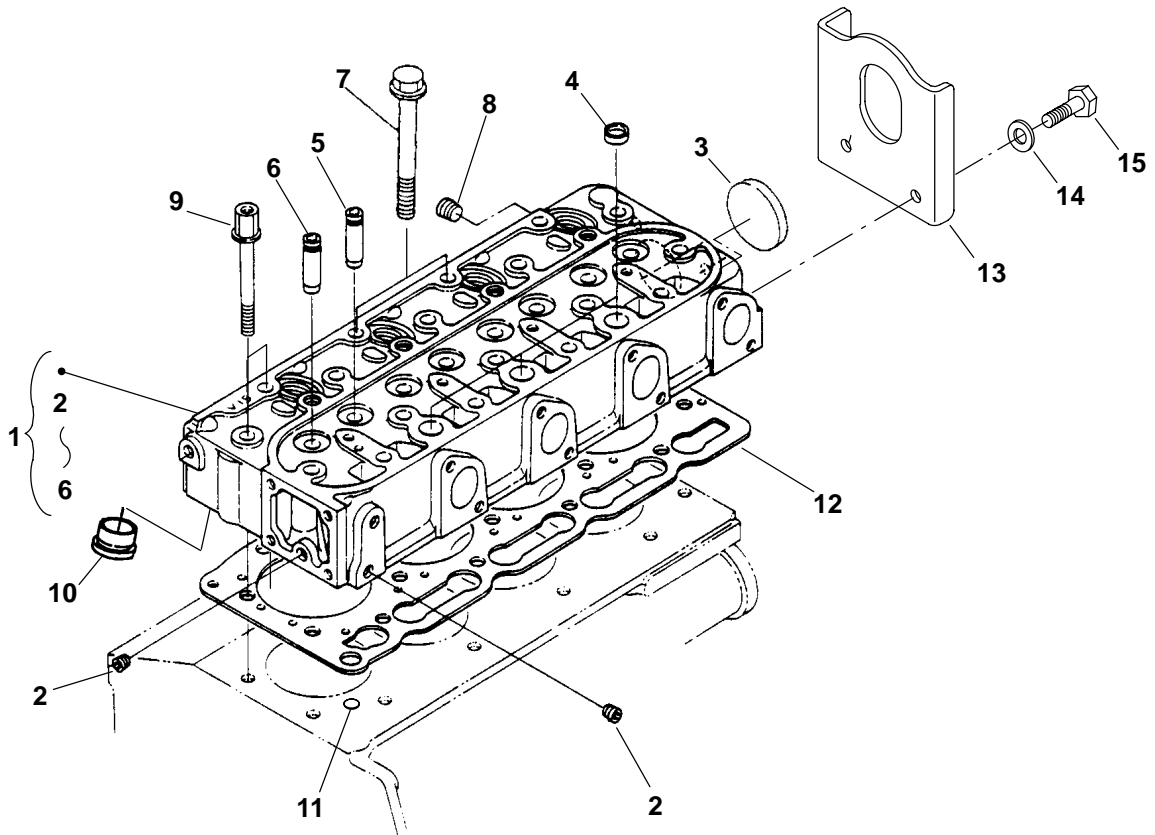
Injection Pump Components



Injection Pump Components

REF NO.	PART NO.	QTY. USED	PART DESCRIPTION	REF NO.	PART NO.	QTY. USED	PART DESCRIPTION
			Pump Assy, Injection	12			Shim
	185-6882	1	MDKBL		185-5655	3	MDKBL
	185-6748	1	MDKBM, MDKBN		185-5655	4	MDKBM, MDKBN
1			Holder, Delivery Valve	13			Seat, Spring Lower
	185-6588	3	MDKBL		185-5654	3	MDKBL
	185-6588	4	MDKBM, MDKBN		185-5654	4	MDKBM, MDKBN
2			O'Ring	14			Spring, Plunger
	185-5643	3	MDKBL		185-5652	3	MDKBL
	185-5643	4	MDKBM, MDKBN		185-5652	4	MDKBM, MDKBN
3			Gasket, Delivery Valve	15			Seat, Spring Upper
	185-5641	3	MDKBL		185-5653	3	MDKBL
	185-5641	4	MDKBM, MDKBN		185-5653	4	MDKBM, MDKBN
4			Spring, Delivery Valve	16			Sleeve, Control
	185-5640	3	MDKBL		185-5659	3	MDKBL
	185-5640	4	MDKBM, MDKBN		185-5659	4	MDKBM, MDKBN
5			Valve, Delivery	17			Pin, Clamp
	185-5639	3	MDKBL		185-6707	1	MDKBL
	185-5639	4	MDKBM, MDKBN		185-6589	1	MDKBM, MDKBN
6			Flange, Sleeve	18			Pin, Tappet Guide
	185-5644	3	MDKBL		185-5650	3	MDKBL
	185-5644	4	MDKBM, MDKBN		185-5650	4	MDKBM, MDKBN
7			Pin, Joint	19			Screw, Countersunk Head
	185-5645	3	MDKBL		185-5658	4	MDKBL
	185-5645	4	MDKBM, MDKBN		185-5658	5	MDKBM, MDKBN
8			O'Ring	20			Plate
	185-5646	6	MDKBL		185-6886	1	MDKBL
	185-5646	8	MDKBM, MDKBN		185-7251	1	MDKBM, MDKBN
9			Plunger, Pump	21	185-6885	1	Rack, Control
	185-6884	3	MDKBL	22	185-5661	2	Gasket
	185-6884	4	MDKBM, MDKBN	23	185-6887	1	Bolt, Joint
10			Screw	24	185-5663	1	Gasket
	185-5647	6	MDKBL	25	185-5662	1	Screw, Air Bleed
	185-5647	8	MDKBM, MDKBN	26	185-5820	1	Gasket (MDKBL)
11			Tappet	27	185-6888	1	Plug (MDKBL)
	185-5649	3	MDKBL				
	185-5649	4	MDKBM, MDKBN				

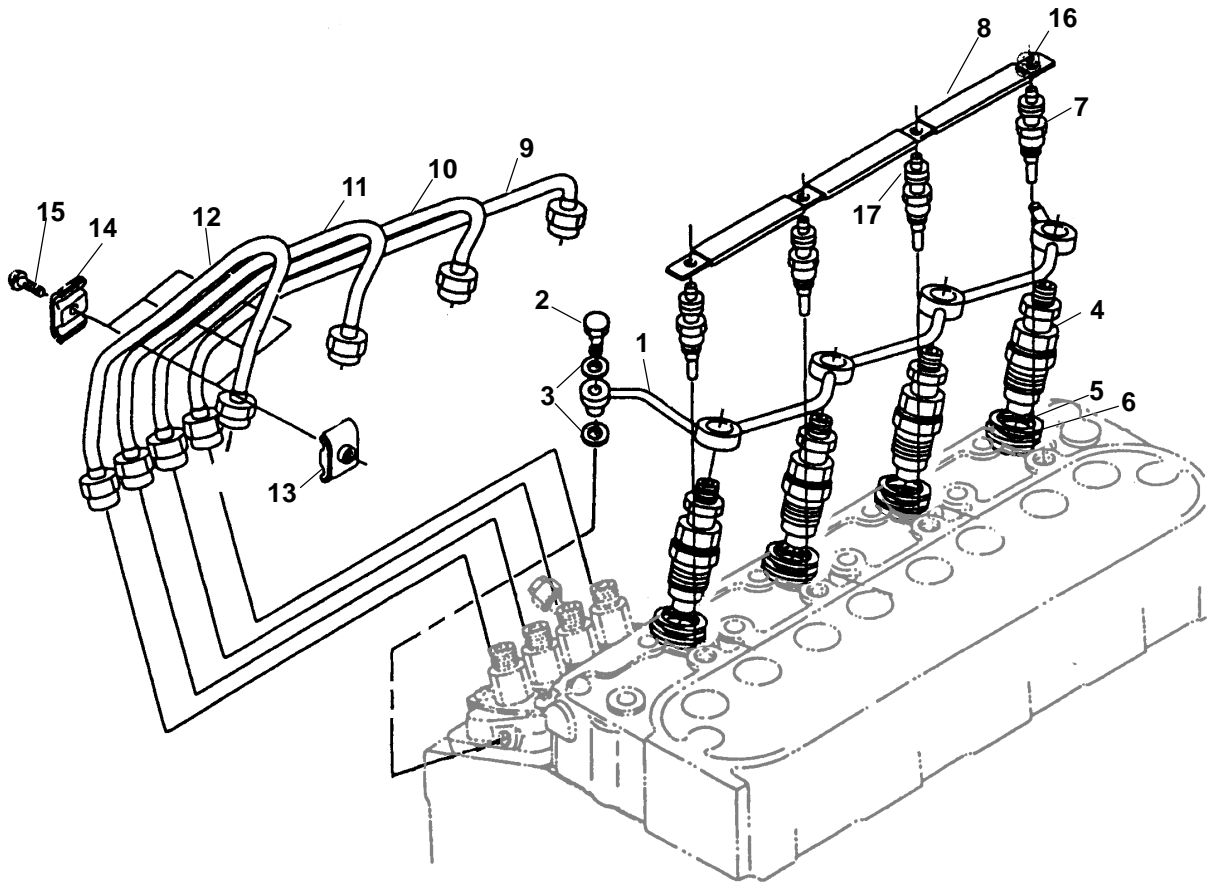
Cylinder Head



REF NO.	PART NO.	QTY. USED	PART DESCRIPTION	REF NO.	PART NO.	QTY. USED	PART DESCRIPTION
1			Head Assy, Cylinder (Includes Parts Marked *)	10	185-7375	1	Chamber, Combustion (MDKBL)
	185-7374	1	MDKBL	11	185-2095	1	O'Ring
	185-6747	1	MDKBM	12			Gasket, Cylinder Head
	185-7303	1	MDKBN		185-7373	1	MDKBL
2	185-2188	2	*Plug		185-6478	1	MDKBM
3	185-2411	1	*Cap, Sealing		185-7304	1	MDKBN
4	185-2413	3	*Cap, Sealing	13	403-4284-04	1	Bracket, Lifting
5	185-6476	4	*Guide, Exhaust Valve	14	526-0399-60	2	Washer, Flat (M8)
6	185-6475	4	*Guide, Inlet Valve	15	800-3017-18	2	Screw, Hex Head Cap (M8 x 1.25 x 16mm)
7	185-6477	16	Bolt, Cylinder Head				
8	185-5502	1	Plug (MDKBM, MDKBN)				
9	185-6479	2	Bolt, Cylinder Head				

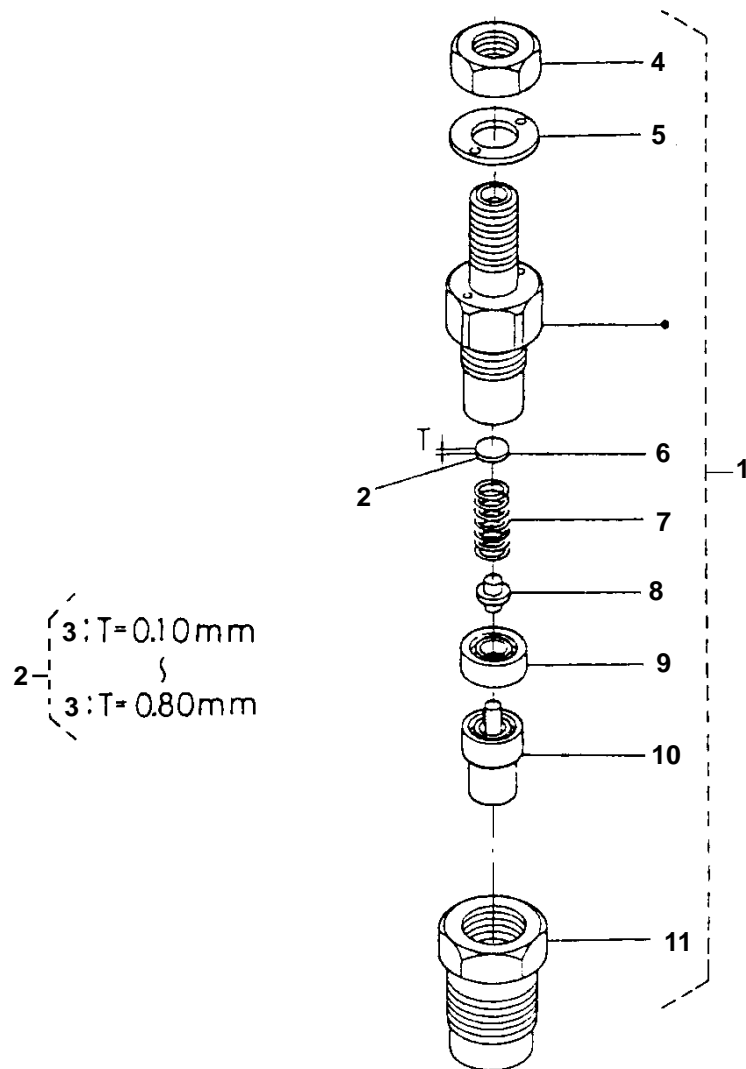
* - Parts Included in Cylinder Head Assy.

Nozzle Holder and Glow Plug



REF NO.	PART NO.	QTY. USED	PART DESCRIPTION	REF NO.	PART NO.	QTY. USED	PART DESCRIPTION
1	185-7106	1	Pipe, Overflow	8	185-6899	1	Cord, Glow Plug
	185-7265	1	MDKBL		185-6624	1	MDKBL
2	185-7082	1	MDKBM, MDKBN	9	185-7266	1	MDKBM, MDKBN
3	185-2284	2	Screw, Air Bleeder	10	185-6621	1	Pipe, Injection
4			Gasket	11	185-6751	1	Pipe, Injection
			Holder Assy, Nozzle (See Separate Page for Components)	12	185-6750	1	Pipe, Injection
	185-6740	3	MDKBL	13			Clamp, Pipe
	185-6740	4	MDKBM, MDKBN		185-5612	2	MDKBL
5			Gasket		185-5612	3	MDKBM, MDKBN
	185-5337	3	MDKBL	14			Clamp, Pipe
	185-5337	4	MDKBM, MDKBN		185-2345	2	MDKBL
6			Seal, Heat		185-2345	3	MDKBM, MDKBN
	185-5985	3	MDKBL	15			Screw, Washer Head
	185-5985	4	MDKBM, MDKBN		185-2385	2	MDKBL
7			Plug, Glow		185-2385	3	MDKBM, MDKBN
			MDKBL	16			Nut, Flange
	185-5421	3	12V		185-5615	3	MDKBL
	185-7107	3	24V		185-5615	4	MDKBM, MDKBN
			MDKBM, MDKBN	17			Washer, Plain
	185-5421	4	12V		185-7004	3	MDKBL
	185-7268	4	24V		185-7004	4	MDKBM, MDKBN

Nozzle Holder Components

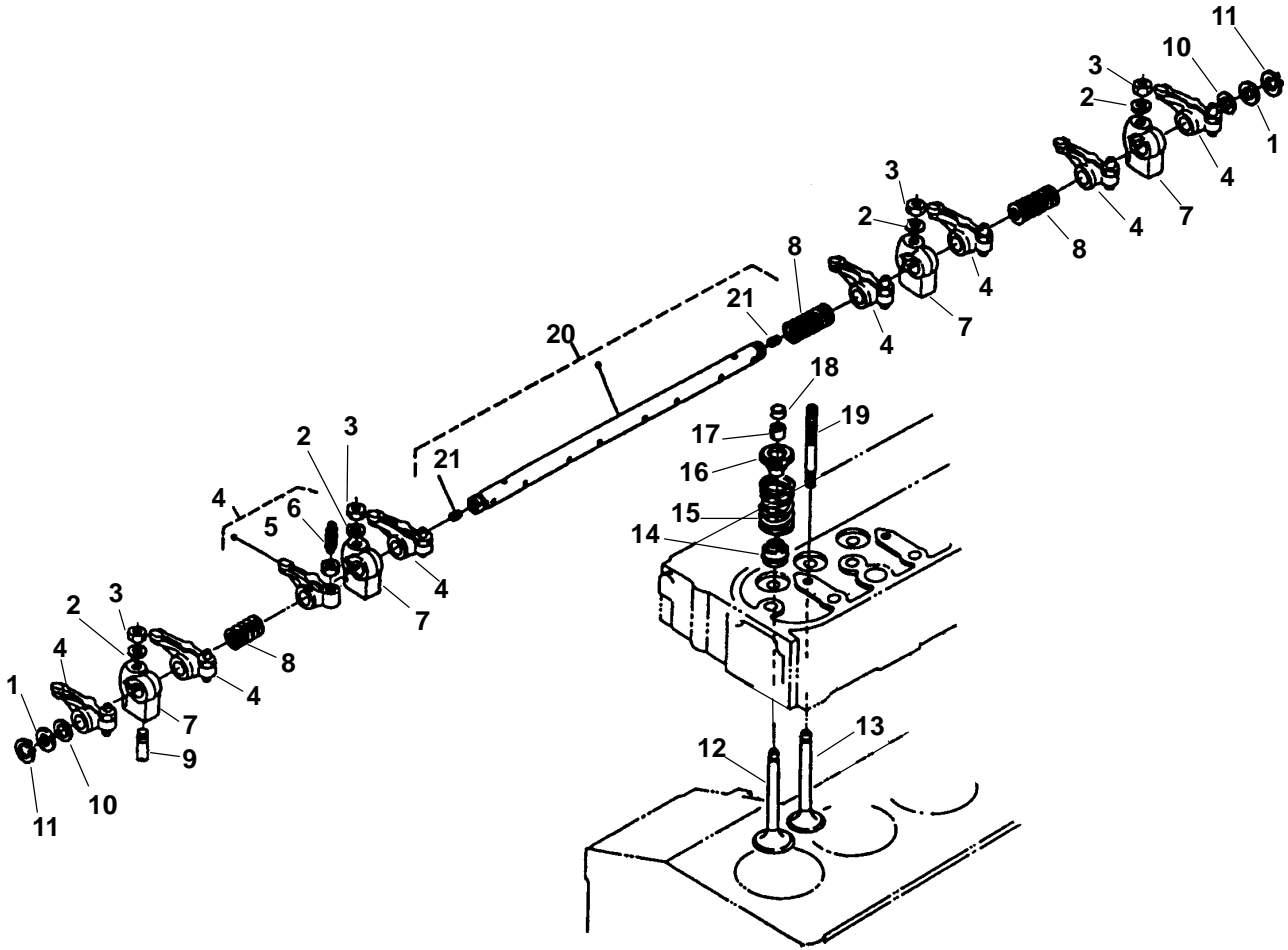


Nozzle Holder Components

REF NO.	PART NO.	QTY USED	PART DESCRIPTION	REF NO.	PART NO.	QTY USED	PART DESCRIPTION
1			Holder Assy, Nozzle (Includes Parts Marked *)	4			*Nut
	185-6740	3	MDKBL		185-6900	3	MDKBL
	185-6740	4	MDKBM, MDKBN		185-6900	4	MDKBM, MDKBN
2			*Washer Assy, Adjust (Includes Adjusting Washers)	5			*Washer, Plain
	185-6908	3	MDKBL		185-6906	3	MDKBL
	185-6908	4	MDKBM, MDKBN		185-6906	4	MDKBM, MDKBN
3			Washer, Adjusting	6			*Washer, Adjusting
			MDKBL		185-6901	3	MDKBL
	185-6909	3	.10mm		185-6901	4	MDKBM, MDKBN
	185-6910	3	.20mm	7			*Spring, Nozzle
	185-6911	3	.30mm		185-6902	3	MDKBL
	185-6912	3	.40mm		185-6902	4	MDKBM, MDKBN
	185-6913	3	.50mm	8			*Rod, Push
	185-6914	3	.52mm		185-6904	3	MDKBL
	185-6915	3	.54mm		185-6904	4	MDKBM, MDKBN
	185-6916	3	.56mm	9			*Piece, Distance
	185-6917	3	.58mm		185-6903	3	MDKBL
	185-6918	3	.80mm		185-6903	4	MDKBM, MDKBN
			MDKBM, MDKBN	10			*Piece, Nozzle
	185-6909	4	.10mm		185-6907	3	MDKBL
	185-6910	4	.20mm		185-6907	4	MDKBM, MDKBN
	185-6911	4	.30mm	11			*Nut, Nozzle*
	185-6912	4	.40mm		185-6905	3	MDKBL
	185-6913	4	.50mm		185-6905	4	MDKBM, MDKBN
	185-6914	4	.52mm				
	185-6915	4	.54mm				
	185-6916	4	.56mm				
	185-6917	4	.58mm				
	185-6918	4	.80mm				

* - Parts Included in Nozzle Holder Assy.

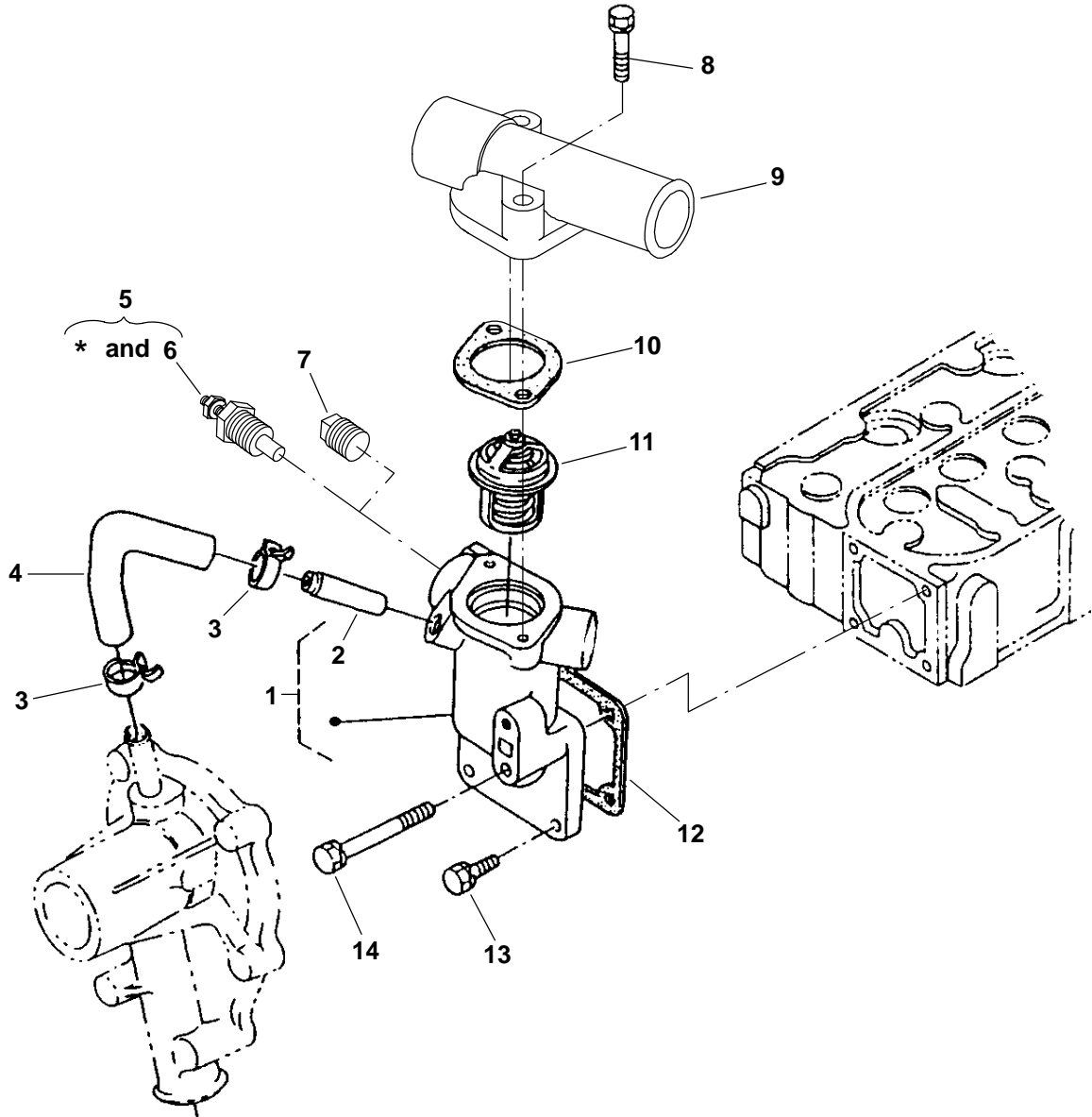
Valve and Rocker Arm



Valve and Rocker Arm

REF NO.	PART NO.	QTY. USED	PART DESCRIPTION	REF NO.	PART NO.	QTY. USED	PART DESCRIPTION
1	185-6690	2	Washer, Rocker Arm Shaft	13			Valve, Exhaust
2			Washer, Plain	185-6682	3		MDKBL
	185-2184	3	MDKBL	185-6682	4		MDKBM, MDKBN
	185-2184	4	MDKBM, MDKBN	14			Seal, Valve Stem
3			Nut	185-7300	6		MDKBL
	185-2179	3	MDKBL	185-7300	8		MDKBM, MDKBN
	185-2179	4	MDKBM, MDKBN	15			Spring, Valve
4			Arm Assy, Rocker (Includes Screw and Nut)	185-6683	6		MDKBL
	185-6693	6	MDKBL	185-6683	8		MDKBM, MDKBN
	185-6693	8	MDKBM, MDKBN	16			Retainer, Valve Spring
5			Nut	185-2076	6		MDKBL
	185-6695	6	MDKBL	185-2076	8		MDKBM, MDKBN
	185-6695	8	MDKBM, MDKBN	17			Collet, Valve Spring
6			Screw, Adjusting	110-3827	6		MDKBL
	185-6694	6	MDKBL	110-3827	8		MDKBM, MDKBN
	185-6694	8	MDKBM, MDKBN	18			Cap, Valve
7			Bracket, Rocker Arm	185-2080	6		MDKBL
	185-6687	3	MDKBL	185-2080	8		MDKBM, MDKBN
	185-6687	4	MDKBM, MDKBN	19			Stud
8			Spring, Rocker Arm	185-6688	3		MDKBL
	185-6691	2	MDKBL	185-6688	4		MDKBM, MDKBN
	185-6691	3	MDKBM, MDKBN	20			Shaft Assy, Rocker Arm (Includes Screws)
9	185-2072	1	Screw, Rocker Arm Set	185-6923	1		MDKBL
10	185-6689	2	Washer, Rocker Arm Shaft	185-6685	1		MDKBM, MDKBN
11	185-6692	2	Circlip, External	21	185-6686	2	Screw, Set
12			Valve, Inlet				
	185-6681	3	MDKBL				
	185-6681	4	MDKBM, MDKBN				

Water Flange

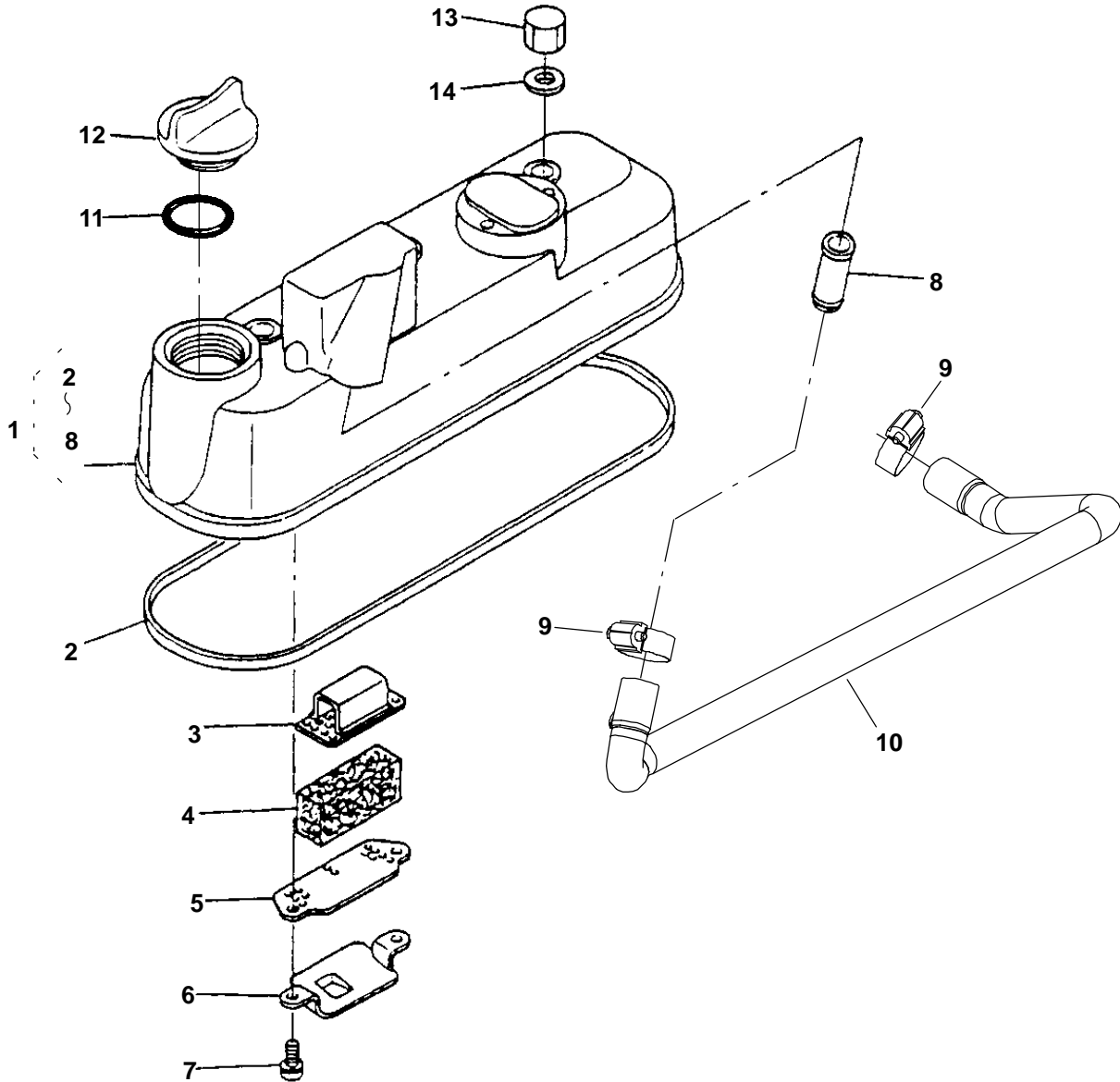


REF NO.	PART NO.	QTY. USED	PART DESCRIPTION	REF NO.	PART NO.	QTY. USED	PART DESCRIPTION
1	185-7297	1	Flange, Water (Includes Water Return Pipe)	7	185-5826	1	Plug
2	185-6445	1	Pipe, Water Return	8	185-6781	2	Bolt
3	185-6667	2	Band, Pipe	9	185-7298	1	Cover, Thermostat
4	185-6666	1	Pipe, Water Return	10	185-6004	1	Gasket, Thermostat
5			*Kit, Sender (Includes Water Temperature Sender)	11	185-6005	1	Thermostat
	300-5040	1	Negative Ground	12	185-6922	1	Gasket, Water Flange
	300-5041	1	Isolated Ground	13	185-2388	3	Bolt
6			Sender, Water Temperature (E2)	14	185-6665	1	Bolt
	193-0318	1	Negative Ground (B200, B201)				
	193-0457-01	1	+ Isolated Ground (B380)				

* - Kit Also Includes Oil Pressure Sender Listed on Oil System Page.

+ - Sender Included in Isolated Ground Kit Listed on Isolated Ground Page.

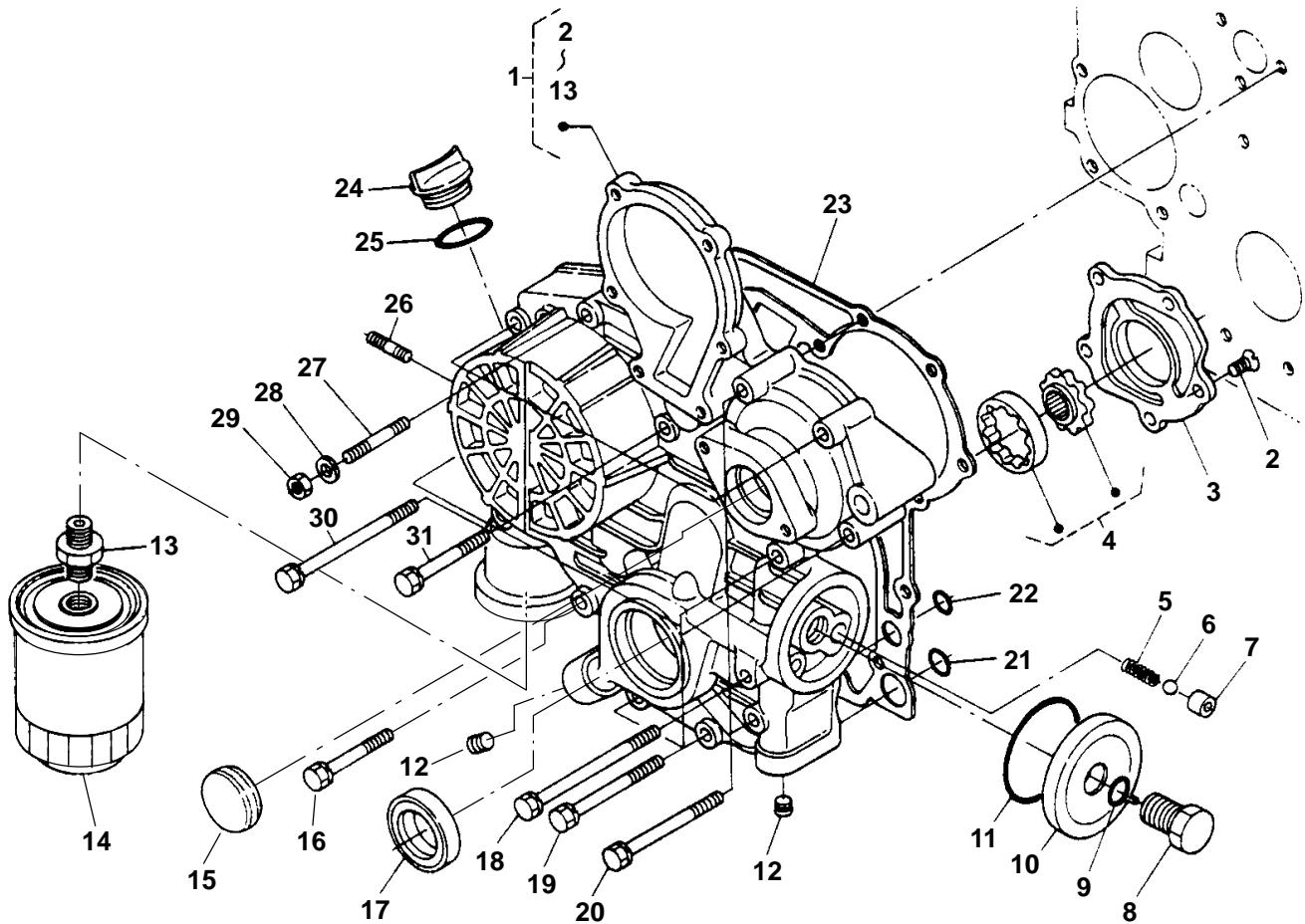
Cylinder Head Cover



REF NO.	PART NO.	QTY. USED	PART DESCRIPTION	REF NO.	PART NO.	QTY. USED	PART DESCRIPTION
1			Cover Assy, Cylinder Head (Includes Parts Marked *)	11			O'Ring
	185-6867	1	MDKBL		185-2349	1	MDKBL
	185-6497	1	MDKBM, MDKBN		185-2349	2	MDKBM, MDKBN
2			*Gasket, Cylinder Head Cover	12			Cover, Oil Fill
	185-6868	1	MDKBL		185-5407	1	MDKBL
	185-6498	1	MDKBM, MDKBN		185-5407	2	MDKBM, MDKBN
3	185-6501	1	*Plate, Upper Breather Element	13			Nut, Cap
4	185-6721	1	*Element, Breather		185-6394	3	MDKBL
5	185-6500	1	*Plate, Lower Breather Element		185-6394	4	MDKBM, MDKBN
6	185-6503	1	*Shield, Breather Oil	14			Gasket
7	185-2384	2	*Screw, Washer Head		185-2291	3	MDKBL
8	185-6499	1	*Joint, Breather Pipe		185-2291	4	MDKBM, MDKBN
9	503-0976	2	Clamp, Hose				
10			Hose, Breather				
	503-2070	1	MDKBL				
	503-2087	1	MDKBM, MDKBN				

* - Parts Included in Cylinder Head Cover Assy.

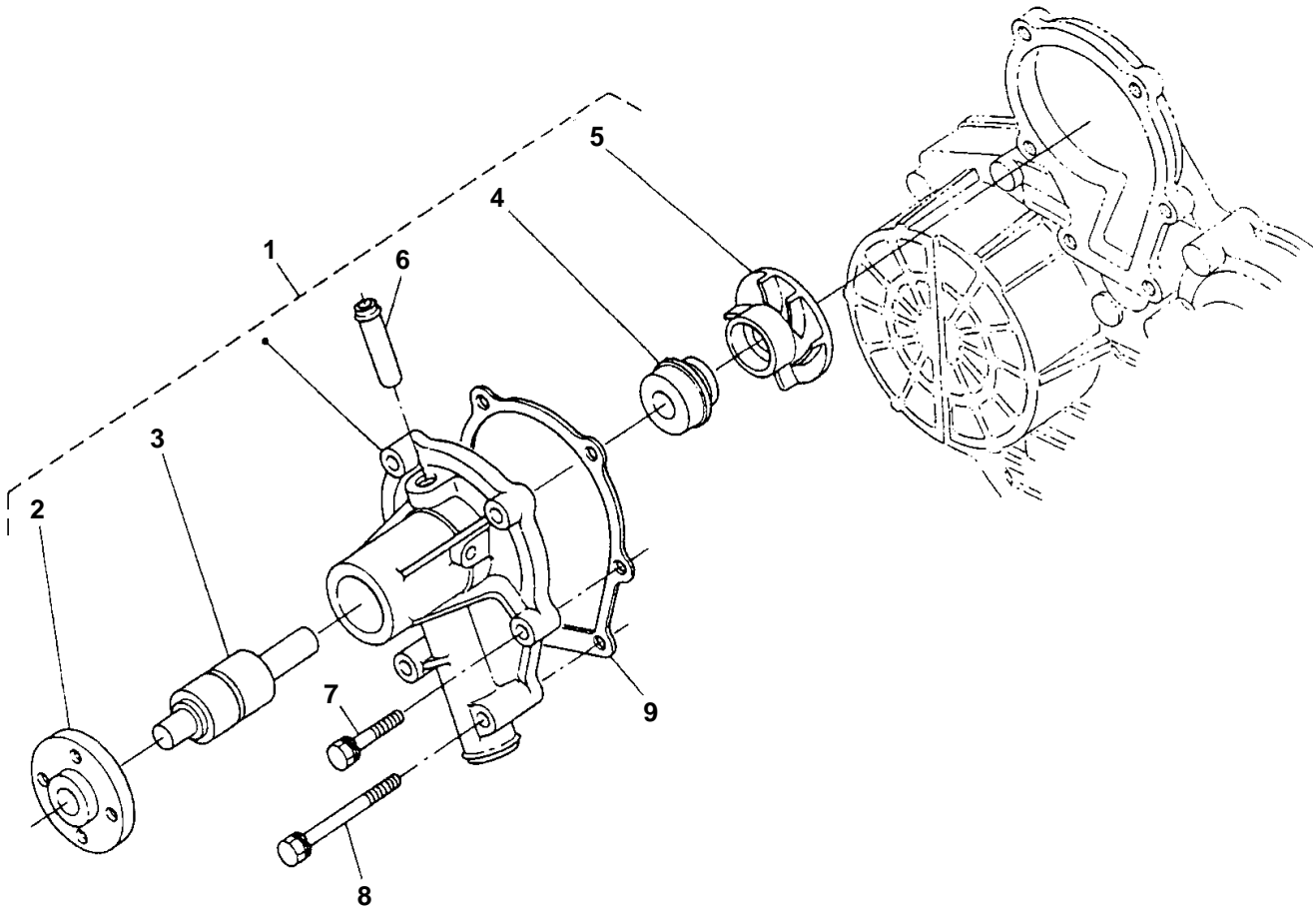
Gearcase



REF NO.	PART NO.	QTY. USED	PART DESCRIPTION	REF NO.	PART NO.	QTY. USED	PART DESCRIPTION
1	185-6480	1	Gearcase Assy (Includes Parts Marked *)	18	185-6491	2	Bolt
2	185-6487	5	*Screw, Countersunk Head	19	185-7069	4	Bolt
3	185-6486	1	*Cover, Oil Pump	20	185-6665	2	Bolt
4	185-6485	1	*Rotor, Oil Pump	21	185-5869	2	O'Ring
5	185-6482	1	*Spring	22	185-3080	2	O'Ring
6	185-6484	1	*Ball	23	185-6863	1	Gasket, Gearcase
7	185-6483	1	*Seat, Valve	24	185-5407	1	Cover, Oil Fill
8	185-5742	1	*Bolt	25	185-2349	1	O'Ring
9	185-5869	1	*O'Ring	26	185-2359	2	Stud
10	185-5741	1	*Cover	27	185-6493	1	Stud
11	185-5743	1	*O'Ring	28	185-6759	1	Washer, Spring
12	185-6481	5	*Plug	29	185-4255	1	Nut
13	185-2124	1	*Fitting, Connector	30	185-6492	1	Bolt
14	185-5835	1	Filter, Oil	31	185-5833	3	Bolt
15	185-7216	1	Plug				
16	185-6490	1	Bolt				
17			Seal, Oil				
	185-6864	1	MDKBL				
	185-6494	1	MDKBM, MDKBN				

* - Parts Included in Gearcase Assy.

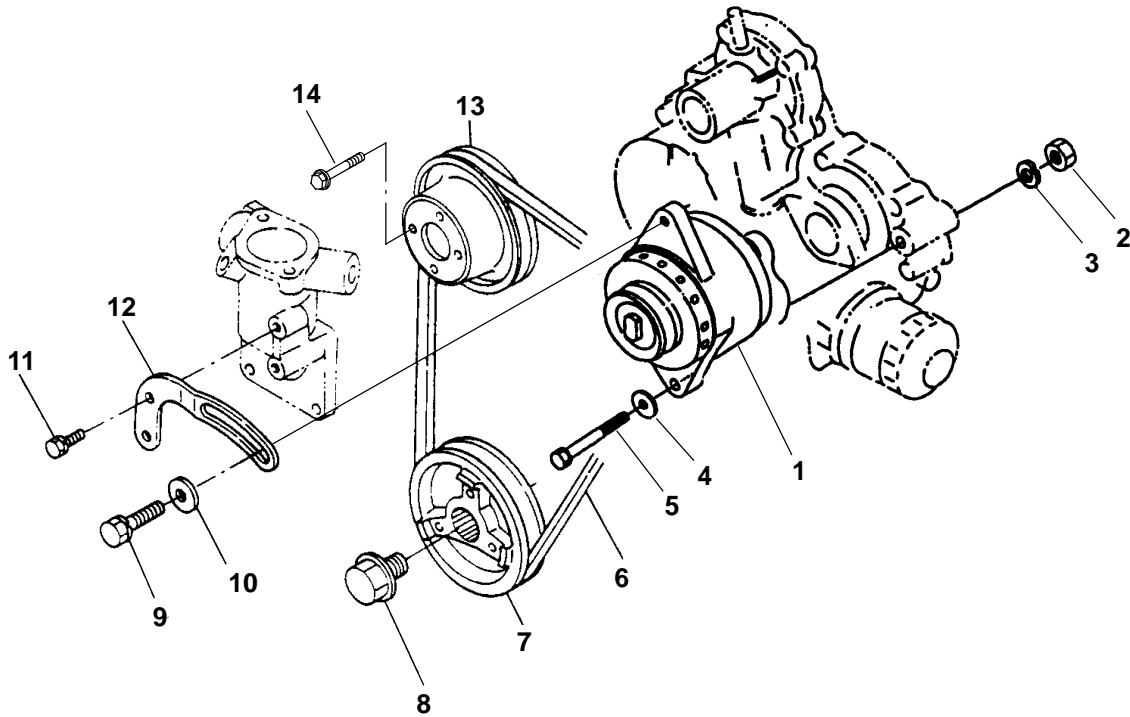
Captive Water Pump Components



REF NO.	PART NO.	QTY. USED	PART DESCRIPTION	REF NO.	PART NO.	QTY. USED	PART DESCRIPTION
1	185-6671	1	Pump Assy, Water (Includes Parts Marked *)	6	185-5719	1	*Pipe, Water Return
2	185-6672	1	*Flange, Pump Water	7	185-6677	4	Bolt
3	185-6673	1	*Bearing	8	185-5745	2	Bolt
4	185-5714	1	*Seal Assy, Mechanical	9	185-7299	1	Gasket, Water Pump
5	185-6674	1	*Impeller, Captive Water Pump				

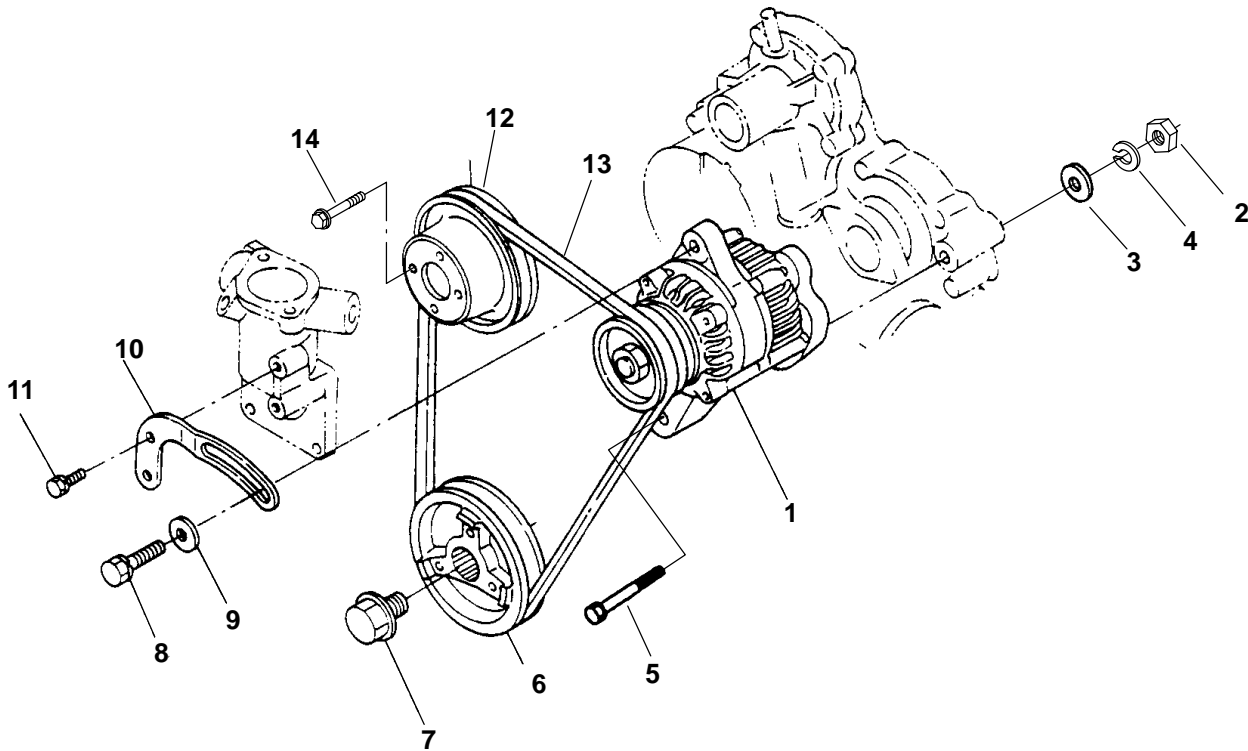
* - Parts Included in Water Pump Assy.

Alternator (12V)



REF NO.	PART NO.	QTY. USED	PART DESCRIPTION	REF NO.	PART NO.	QTY. USED	PART DESCRIPTION
1	185-7269	1	Alternator (12V) (No Components Available)	8	185-6633	1	Bolt
2	185-5445	1	Nut	9	185-2564	1	Bolt
3	185-6785	1	Washer, Spring	10	185-6786	2	Washer, Plain
4	185-7272	1	Washer, Plain	11	185-2388	1	Bolt
5	185-7271	1	Bolt	12	185-7270	1	Stay, Alternator
6	185-6934	1	Belt, Fan (37.5")	13	185-6631	1	Pulley, Fan
7			Pulley, Fan Drive	14	185-2572	4	Bolt
	185-6933	1	MDKBL				
	185-7273	1	MDKBM, MDKBN				

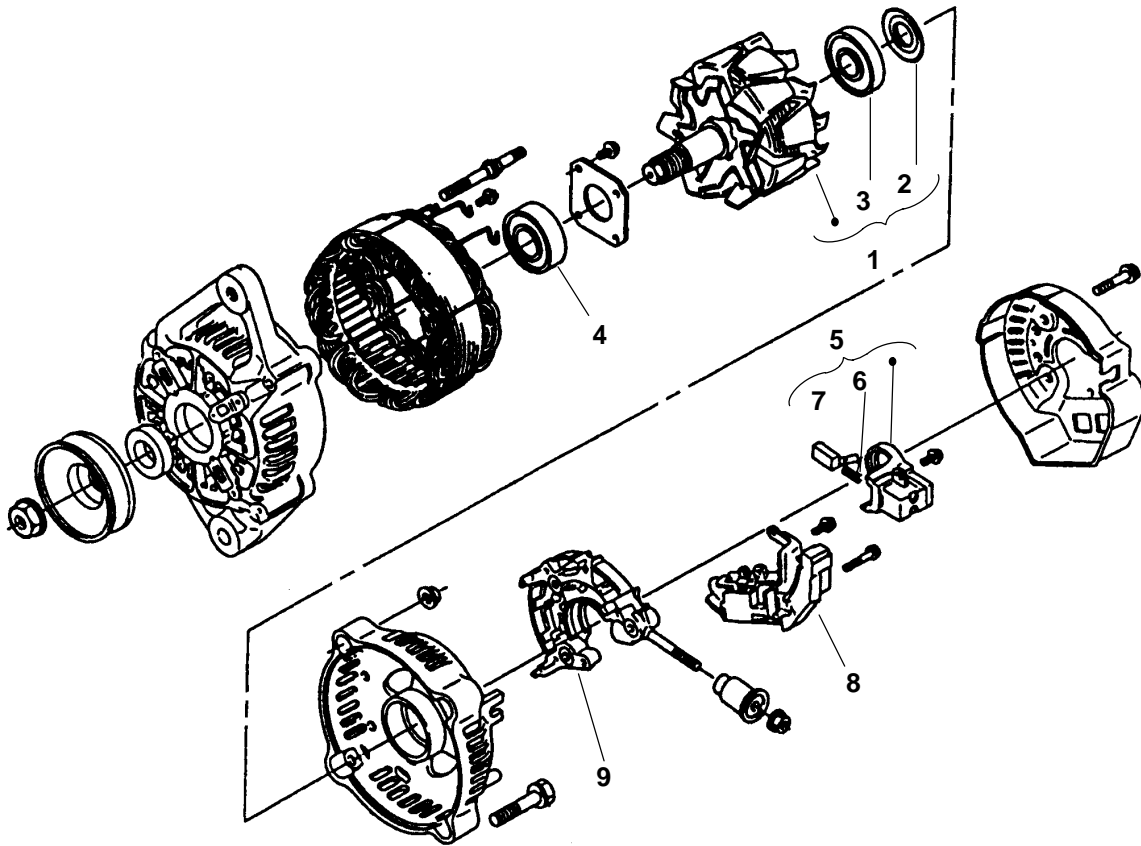
Alternator (24V)



REF NO.	PART NO.	QTY. USED	PART DESCRIPTION	REF NO.	PART NO.	QTY. USED	PART DESCRIPTION
1	185-7225	1	Alternator (24V)(See Separate Page for Components)	7	185-6633	1	Bolt
2	185-5445	1	Nut	8	185-2564	1	Bolt
3	185-6630	1	Washer, Plain	9	185-6786	1	Washer, Plain
4	185-6785	1	Washer, Spring	10	185-7226	1	Stay, Alternator
5	185-7227	1	Bolt	11	185-2388	1	Bolt
6	185-6933	1	Pulley, Fan Drive	12	185-6631	1	Pulley, Fan
	185-7273	1	MDKBL, MDKBN	13	185-6934	1	Belt, Fan (37.5")
				14	185-2572	4	Bolt

“Blank Page”

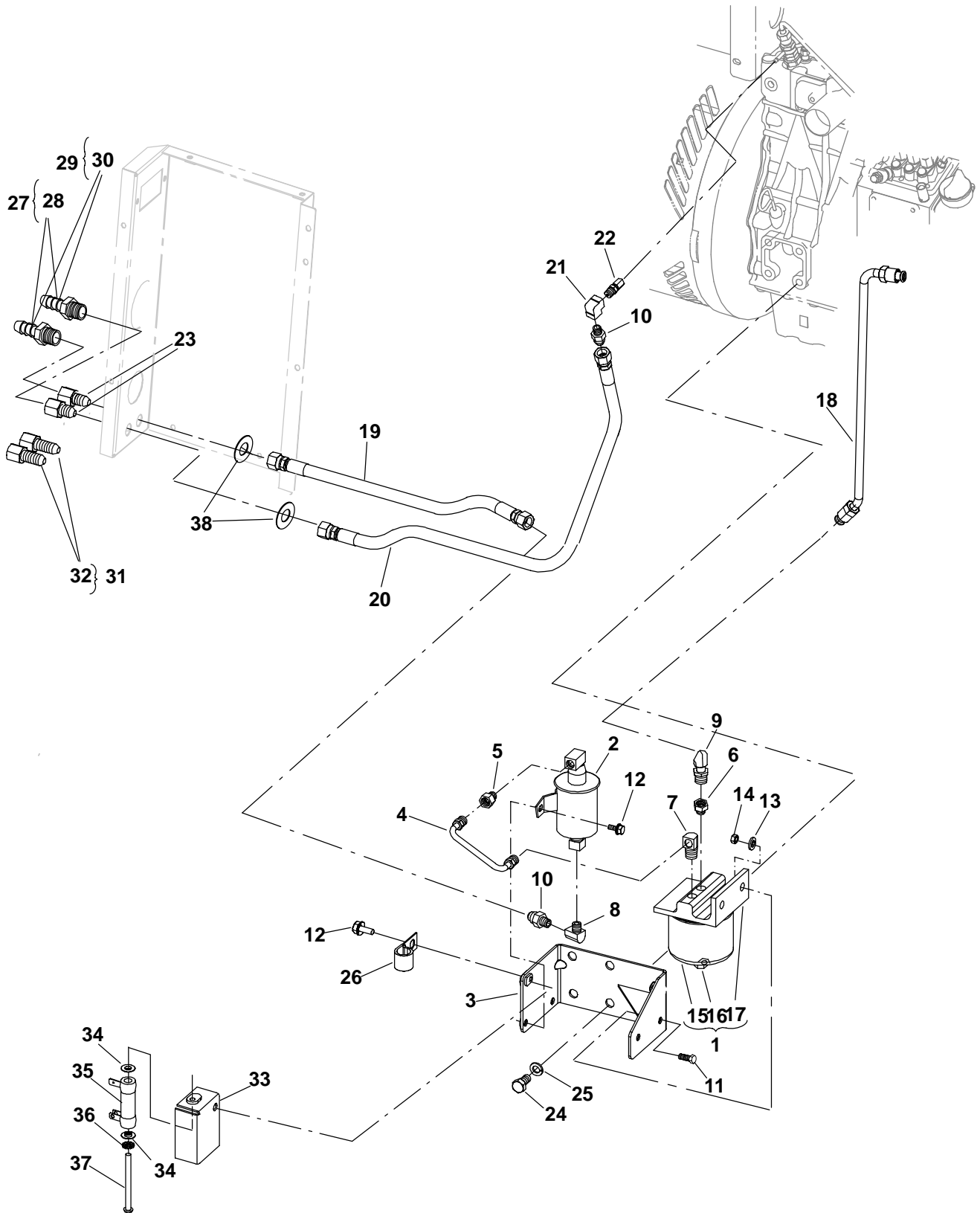
Alternator Components (24V)



REF NO.	PART NO.	QTY. USED	PART DESCRIPTION	REF NO.	PART NO.	QTY. USED	PART DESCRIPTION
	185-7225	1	Alternator	6	185-5784	2	Spring, Brush
1	185-7228	1	Rotor (Includes Cover and Bearing)	7	185-5783	2	Brush
2	185-5771	1	Cover, Bearing	8	185-6820	1	Regulator
3	185-7229	1	Bearing, Ball	9	185-6816	1	Rectifier Assy
4	185-5777	1	Bearing, Ball				
5	185-5782	1	Holder, Brush (Includes Brush and Spring)				

Note: Parts not Identified are Not For Sale.

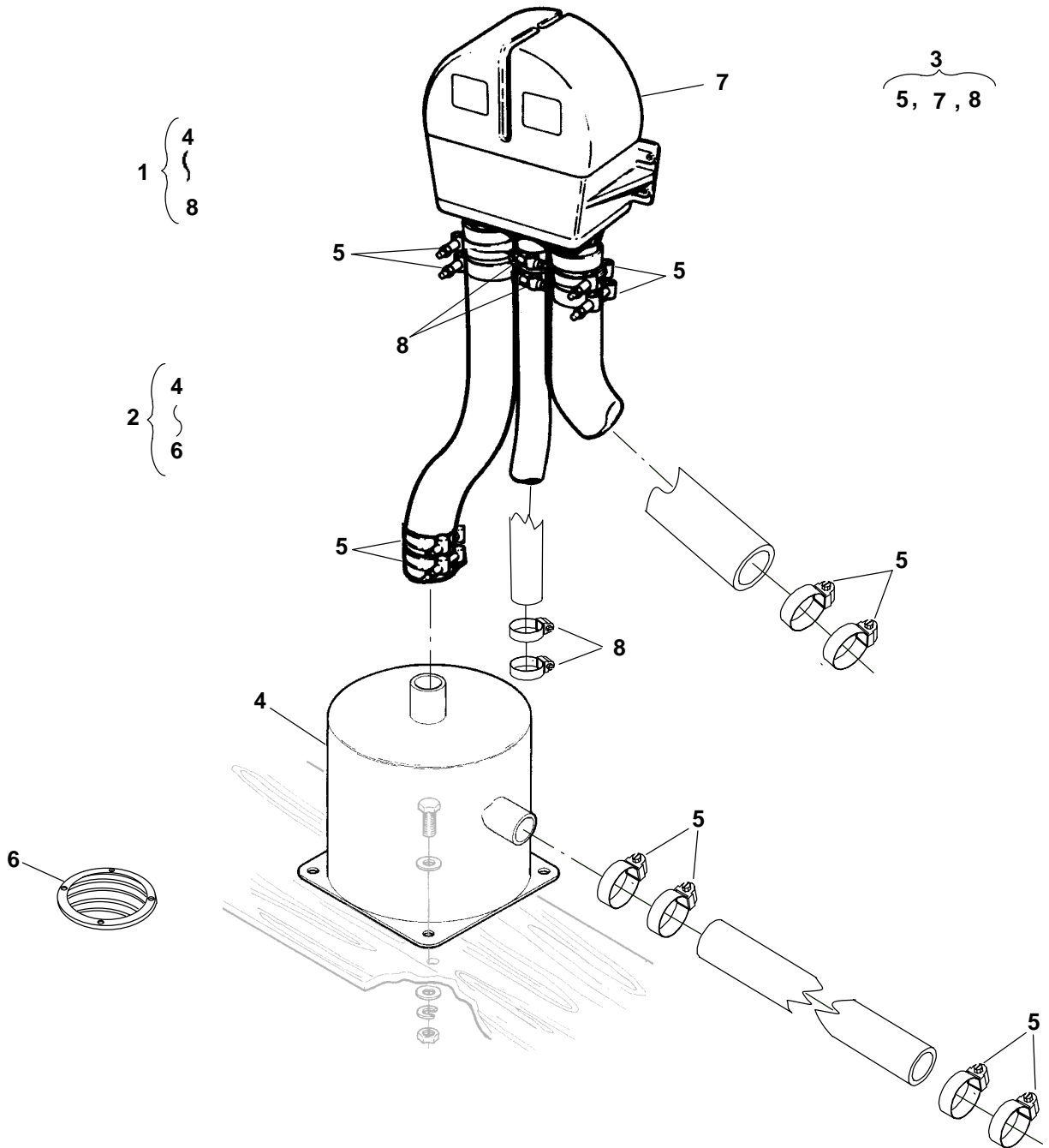
Fuel Pump



Fuel Pump

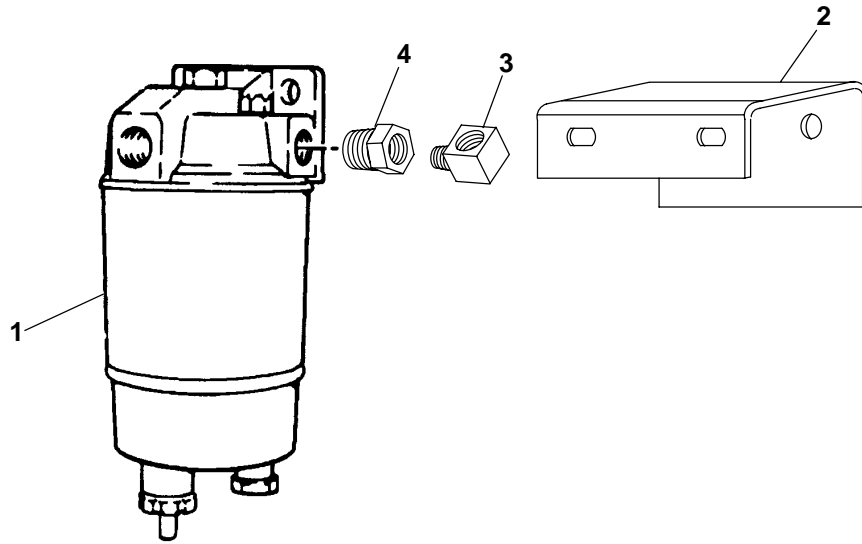
REF NO.	PART NO.	QTY. USED	PART DESCRIPTION	REF NO.	PART NO.	QTY. USED	PART DESCRIPTION
	149-2599	1	Filter Assy, Fuel (Includes All parts Marked *)	20	501-0672-04	1	Line, Fuel (38.5")
1	149-2100	1	*Filter, Base (Includes Element, Plug, and Base)	21	502-0055	1	Elbow, Pipe
2	149-2331-01	1	*Pump, Fuel (E5)	22	502-1245	1	Adapter, Pipe
3	149-2618-04	1	*Bracket, Mounting	23	505-1489	2	Connector, Female Bulkhead
4	149-2601	1	*Line, Fuel (.25")	24	800-3030	3	Screw, Hex Head Cap (M10 x 1.25 x 20mm)
5	502-0003	1	*Connector, Inverted Male	25	850-0114-55	3	Washer, Lock (M10)
6	502-0029	1	*Bushing, Pipe	26	518-0515	1	Clip, Hose
7	502-0041	1	*Elbow, Male	27	149-2655	1	Kit, Fuel Adapter (Includes Barbed Hose Connector)
8	502-0020-01	1	*Elbow, Pipe	28	502-1162	2	Connector, Barbed Hose (1/4-18 x 3/8")
9	502-0065	1	*Elbow, Inverted Male	29	149-2654	1	Kit, Fuel Adapter (Includes Barbed Hose Connector)
10	505-1490	2	*Connector, Male	30	502-1218	2	Connector, Barbed Hose (1/4-18 x 5/16")
11	800-3017-19	2	*Screw, Hex Head Cap (M8 x 1.25 x 20mm)	31	149-2612	1	Kit, Adapter Fitting (Includes Metric Adapters)
12	821-6002-02	2	*Screw, Hex Head Sems (M6 x 1 x 12mm)	32	505-1485	2	Adapter, Metric NPT
13	850-0114-54	2	*Washer, Lock (M8)	33	304-0831-03	1	Bracket, Resistor (24V)
14	862-0026-55	2	*Nut, Hex (M8)	34	304-0796	2	Washer, Centering (24V)
15	149-2106	1	Element	35	304-0797	1	Resistor (24V)
16	502-0028	1	Plug, Drain	36	856-0003	1	Washer, EIT (#10)(24V)
17	149-2235	1	Base, Aluminum	37	813-0112	1	Screw, Round Head Machine (#10-32 x 2.5")(24V)
18			Line, Fuel Assy	38	526-0406	2	Washer, Flat (M14)
	501-0709	1	MDKBL				
	501-0710	1	MDKBM, MDKBN				
19	501-0672-01	1	Line, Fuel (28.5")				

Water Separator/Muffler



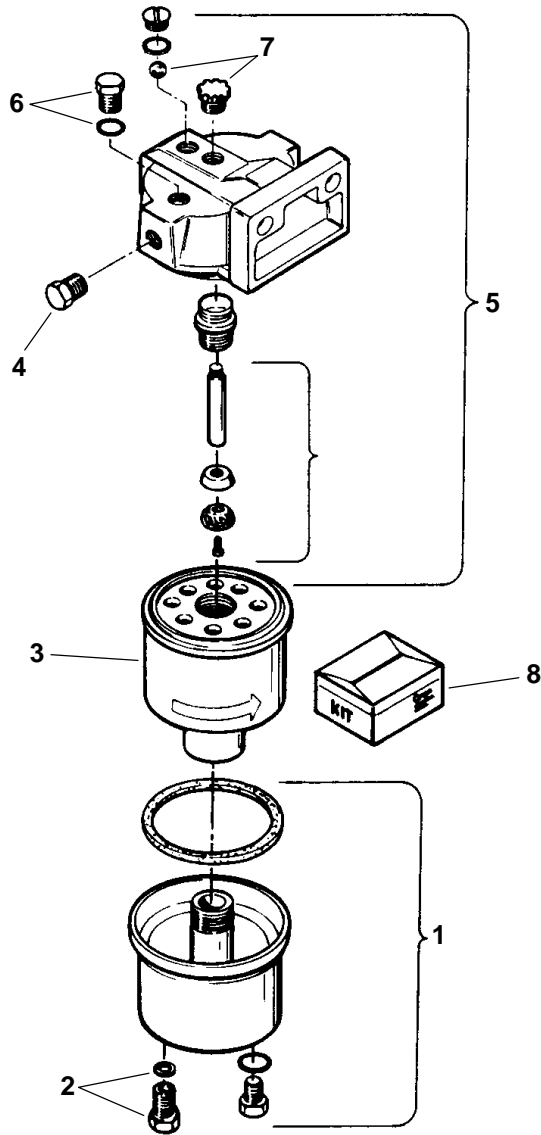
REF NO.	PART NO.	QTY. USED	PART DESCRIPTION	REF NO.	PART NO.	QTY. USED	PART DESCRIPTION
1	155-3217	1	Kit, Muffler/Separator (Includes Parts Marked *)	6	155-1002	1	*+Strainer, Slotted
2	155-2030	1	Kit, Muffler Marine (Includes Parts Marked +)	7	155-3218	1	*#Separator, Water (2")
3	155-3216	1	Kit, Water Separator (Includes Parts Marked #)	8	503-1139	4	*#Clamp, Hose (1-1/2")
4	155-2029	1	*+Muffler, Marine				* - Parts Included in Muffler/Separator Kit.
5			Clamp, Hose (2")				+ - Parts Included in Muffler Kit.
	503-1142	8	+ Muffler Kit				# - Parts Included in Water Separator Kit.
	503-1142	4	# Separator Kit				
	503-1142	10	* Muffler/Separator Kit				

Remote Water Separator



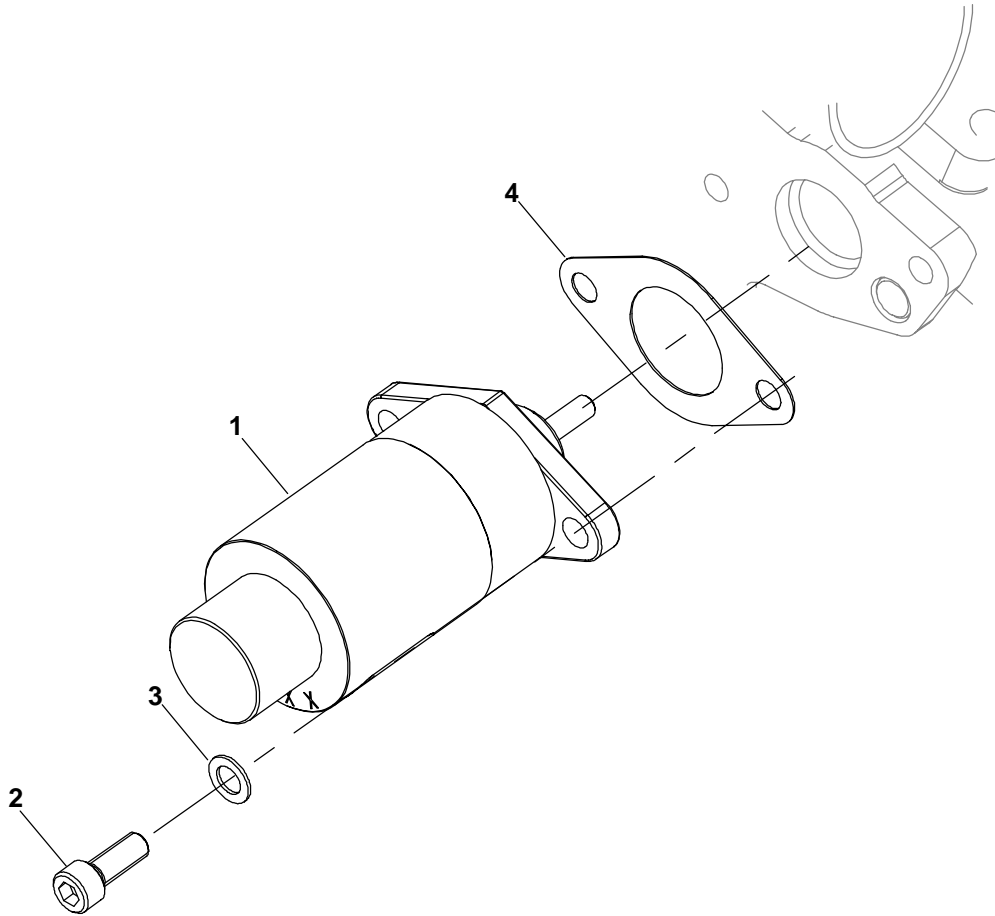
REF NO.	PART NO.	QTY. USED	PART DESCRIPTION	REF NO.	PART NO.	QTY. USED	PART DESCRIPTION
	149-2073	1	Kit, Remote Fuel/Water Separator	2	149-2041-03	1	Bracket, Separator Mounting
1	149-1908-05	1	Separator, Fuel/Water (See Separate Page for Components)	3	502-0020	1	Elbow, Street 90Degrees
				4	502-0029	2	Bushing, Pipe

Remote Water Separator Components



REF NO.	PART NO.	QTY. USED	PART DESCRIPTION	REF NO.	PART NO.	QTY. USED	PART DESCRIPTION
	149-1908-05	1	Separator, Water	6	149-1952	1	Plug, Vent (Includes O'Ring)
1	149-2046	1	Kit, Metal Bowl Replacement (Includes Plug, O'Rings and Drain Assy)	7	149-2047	1	Pump Assy (Includes Plunger, Retainer, Shaft, Check Ball, Knob and Screw)
2	149-1953	1	Drain Assy (Includes Knob and Seal)	8	149-2045	1	Kit O'Ring (Includes Seal and Plunger)
3	149-1914-01	1	Element (Includes Seals)				
4	502-0153	1	Plug, Hex (1/4")				
5	149-1949	1	Head Assy, Replacement (Includes Vent Plug, O'Rings, Seal, Cap, Tube and Pump Assy)				

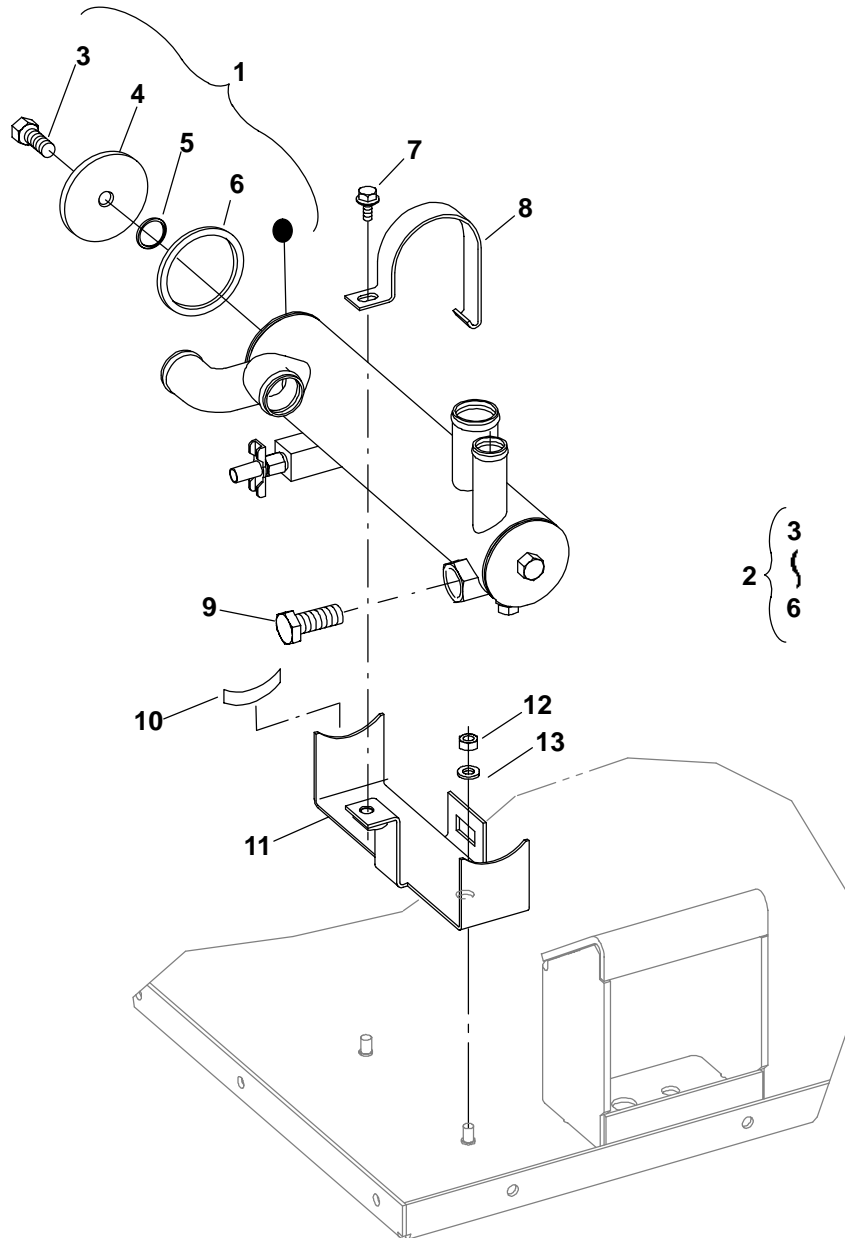
Governor Actuator



REF NO.	PART NO.	QTY. USED	PART DESCRIPTION
1	306-5006-01	1	Actuator, Governor (12V)
	306-5006-02	1	(24V)
2	725-1027	2	Screw, Slotted Head Cap (M6 x 1 x 16mm)(1/32")
3	526-0063	2	Washer, Copper
4	184-0071	1	Gasket, Solenoid Cover

“Blank Page”

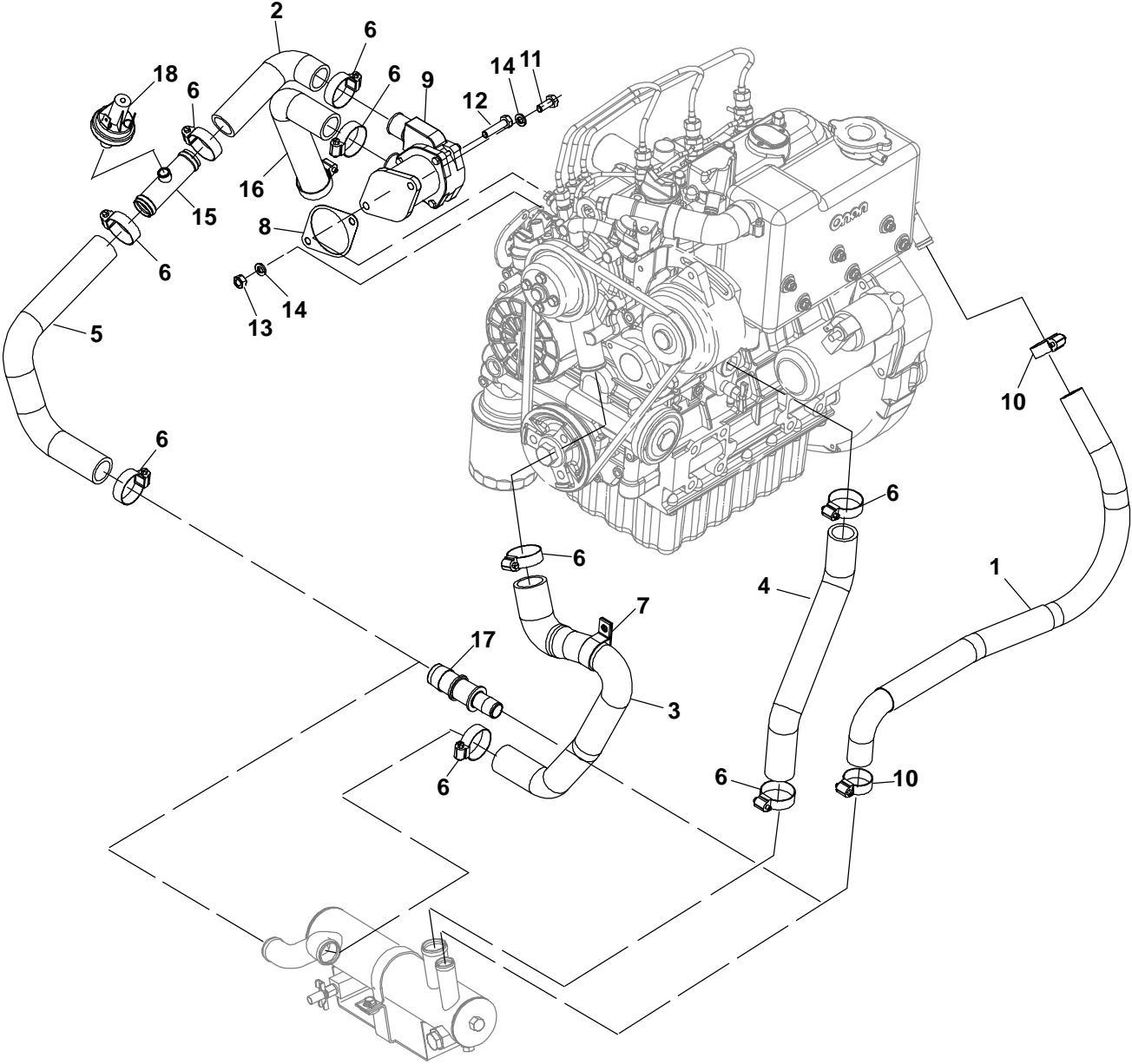
Heat Exchanger



REF NO.	PART NO.	QTY. USED	PART DESCRIPTION	REF NO.	PART NO.	QTY. USED	PART DESCRIPTION
1	130-4985-03	1	Exchanger, Heat	9	130-4434	1	Pencil, Zinc
2	130-5176	1	Kit, Cap (Includes Parts Marked *)	10	508-0210	2	Edging, Heat Exchanger Bracket (90mm)
3	800-0317	1	*Screw, Hex Head (5/16-18)	11	130-4739-03	1	Bracket, Heat Exchanger
4	130-5169	1	*Cover, End	12	862-0026-54	2	Nut, Hex (M6 x 1mm)
5	509-0351	1	*O'Ring	13	850-0114-53	2	Washer, Lock (M6)
6	130-5170	1	*Gasket, End Cover				
7	821-6002-02	1	Screw, Hex Head Sems (M6 x 1 x 12mm)				
8	130-4740-03	1	Strap, Mounting				

* - Parts Included with Heat Exchanger and in Heat Exchanger Cap Kit.

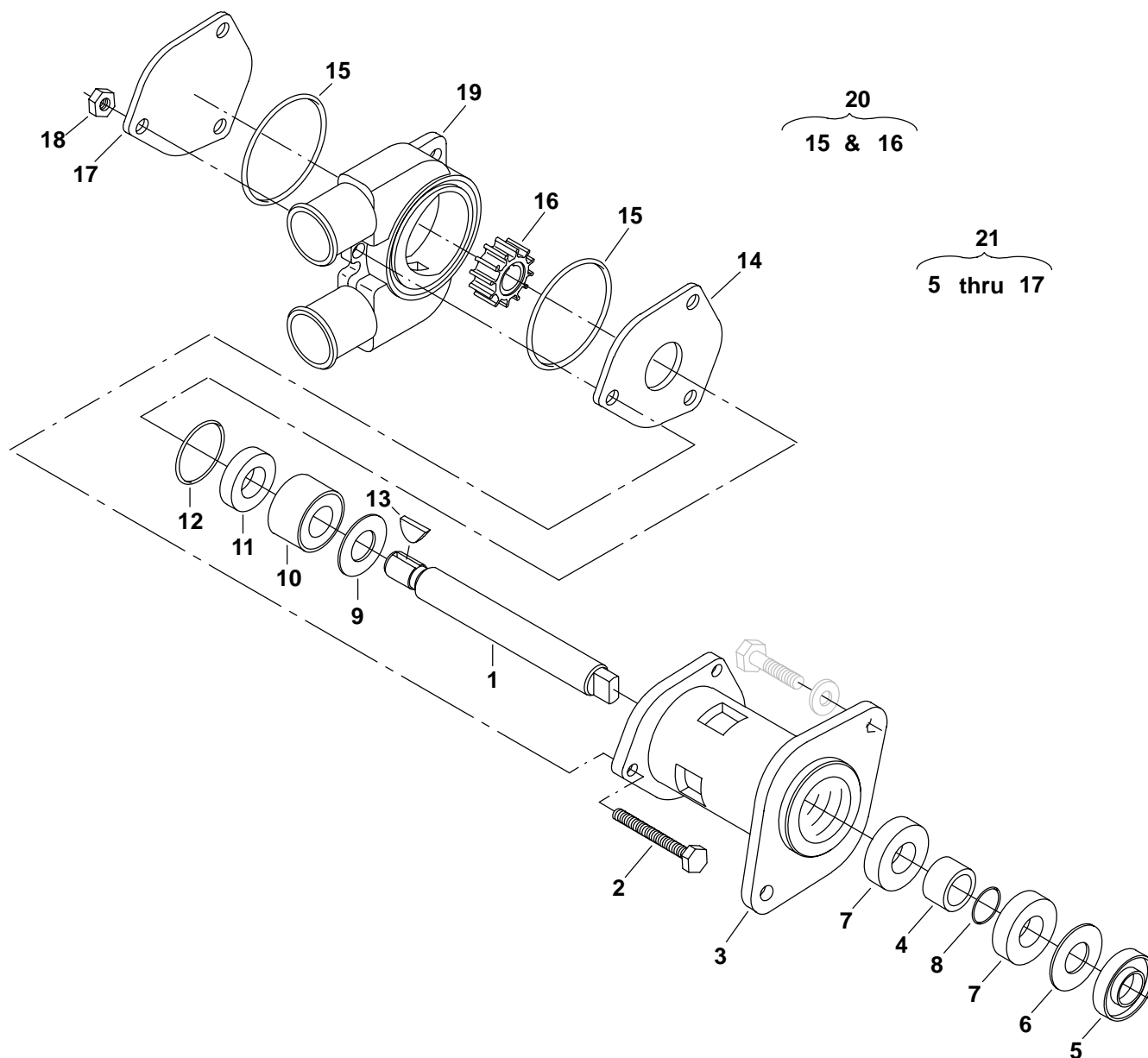
Cooling System



Cooling System

REF NO.	PART NO.	QTY. USED	PART DESCRIPTION	REF NO.	PART NO.	QTY. USED	PART DESCRIPTION
1	501-0712-01	1	Hose, Coolant (MDKBL Heat Exchange Wet Exhaust)	11	800-3017-19	1	Screw, Hex Head (M8 x 20mm) (Heat Exchange Wet and Dry Exhaust Keel Cooling Wet Exhaust)
	501-0712-02	1	(Heat Exchange Wet Exhaust MDKBM and MDKBN)	12	800-3017-22	1	Screw, Hex Head (M8 x 35mm) (Heat Exchange Wet and Dry Exhaust Keel Cooling Wet Exhaust)
	503-2089-02	1	(Keel Cooling Wet all models)				
2	503-2207	1	Hose, Coolant (Heat Exchange Wet and Dry Exhaust Keel Cooling Wet Exhaust)	13	862-0026-55	1	Nut, Hex (M8)(Heat Exchange Wet and Dry Exhaust Keel Cooling Wet Exhaust)
3	503-2195	1	Hose, Coolant (All Options)	14	850-0114-54	2	Washer, Lock (M8) (Heat Exchange Wet and Dry Exhaust Keel Cooling Wet Exhaust)
4	503-2196	1	Hose, Coolant (Heat Exchange Wet and Dry Exhaust)				
5	503-2197	1	Hose, Coolant (Heat Exchange Wet and Dry Exhaust Keel Cooling Wet Exhaust)	15	130-5387-01	1	Tube, Low Pressure Switch (Heat Exchange Wet and Dry Exhaust Keel Cooling Wet Exhaust)
6	503-1137	10	Clamp, Hose (Heat Exchange Dry and Wet)	16	503-2230	1	Hose, Coolant (Heat Exchange Wet and Dry Exhaust Keel Cooling Wet Exhaust)
	503-1137	8	(Keel Cooling Wet)				
	503-1137	2	(Keel Cooling Dry)				
7	518-0548-05	1	Clamp, Hose (All Options)	17	502-1354	1	Reducer, Hose Connector (Keel Cooling Wet Exhaust)
8	185-6579	1	Gasket, Water Pump (Heat Exchange Wet and Dry Exhaust Keel Cooling Wet Exhaust)	18	309-0667	1	Switch, Pressure (12 and 24V Gnd 12v Iso)
9	132-0358	1	Water Pump (See Separate Page for Components)				
10	503-1136	2	Clamp, Hose (Keel Cooling Wet Exhaust and Heat Exchange Wet Exhaust)				

Raw Water Pump Components

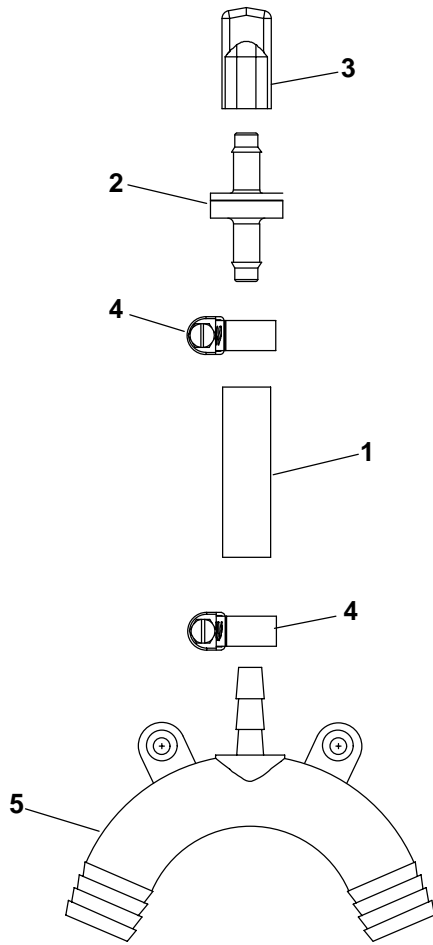


REF NO.	PART NO.	QTY. USED	PART DESCRIPTION	REF NO.	PART NO.	QTY. USED	PART DESCRIPTION
	132-0358	1	Pump, Water	14	132-0371	1	+Plate, Wear
1	132-0360	1	Shaft	15	132-0372	2	*+O'Ring
2	132-0376	3	Bolt	16	132-0375	1	*+Impeller
3	132-0362	1	Body	17	132-0373	1	+Plate, Cover
4	132-0367	1	Spacer	18	132-0377	3	Nut
5	132-0361	1	+Seal, Lip	19	132-0378	1	Housing
6	132-0363	1	+Ring, Internal Retaining	20	132-0379	1	Kit, Minor Service (Includes Parts Marked *)
7	132-0364	2	+Bearing, Ball	21	132-0380	1	Kit, Major Service (Includes Parts Marked +)
8	132-0365	1	+Ring, External Retaining				
9	132-0368	1	+Washer,				
10	132-0366	1	+Seal, Mechanical				
11	132-0369	1	+Seat, Seal				
12	132-0370	1	+O'Ring				
13	132-0374	1	+Key				

* - Parts Included in Minor Service Kit.

+ - Parts Included in Major Service Kit.

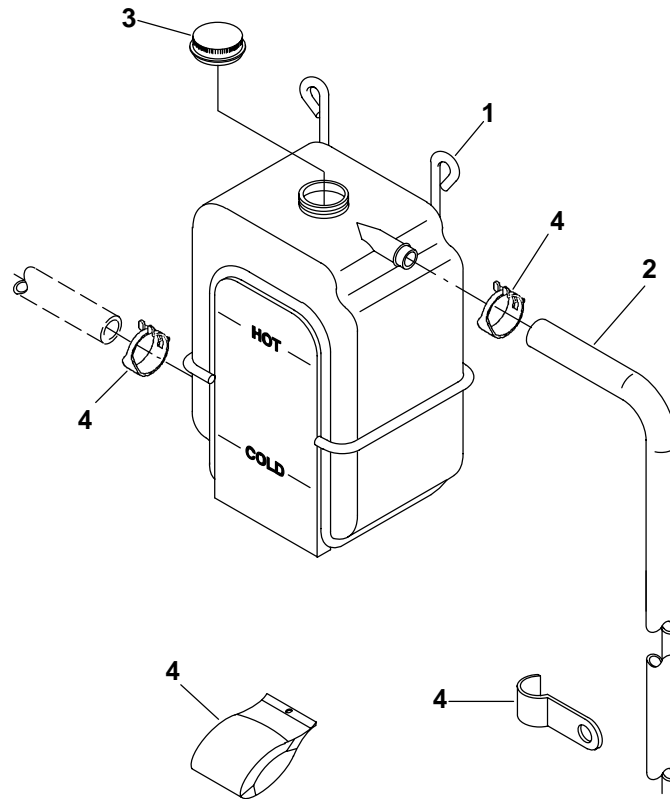
Vacuum Relief Valve



REF NO.	PART NO.	QTY. USED	PART DESCRIPTION	REF NO.	PART NO.	QTY. USED	PART DESCRIPTION
	541-0863-01	1	Kit, Siphon Break	5	502-1463	1	Connector, Hose
1	503-2352	1	Hose, Coolant	6	503-0977	2	*Clamp, Hose
2	504-0223	1	Valve, Check	7	508-1102	2	*Grommet, Rubber
3	502-1425-02	1	Cap, Tube				
4	503-2309	2	Clamp, Hose				

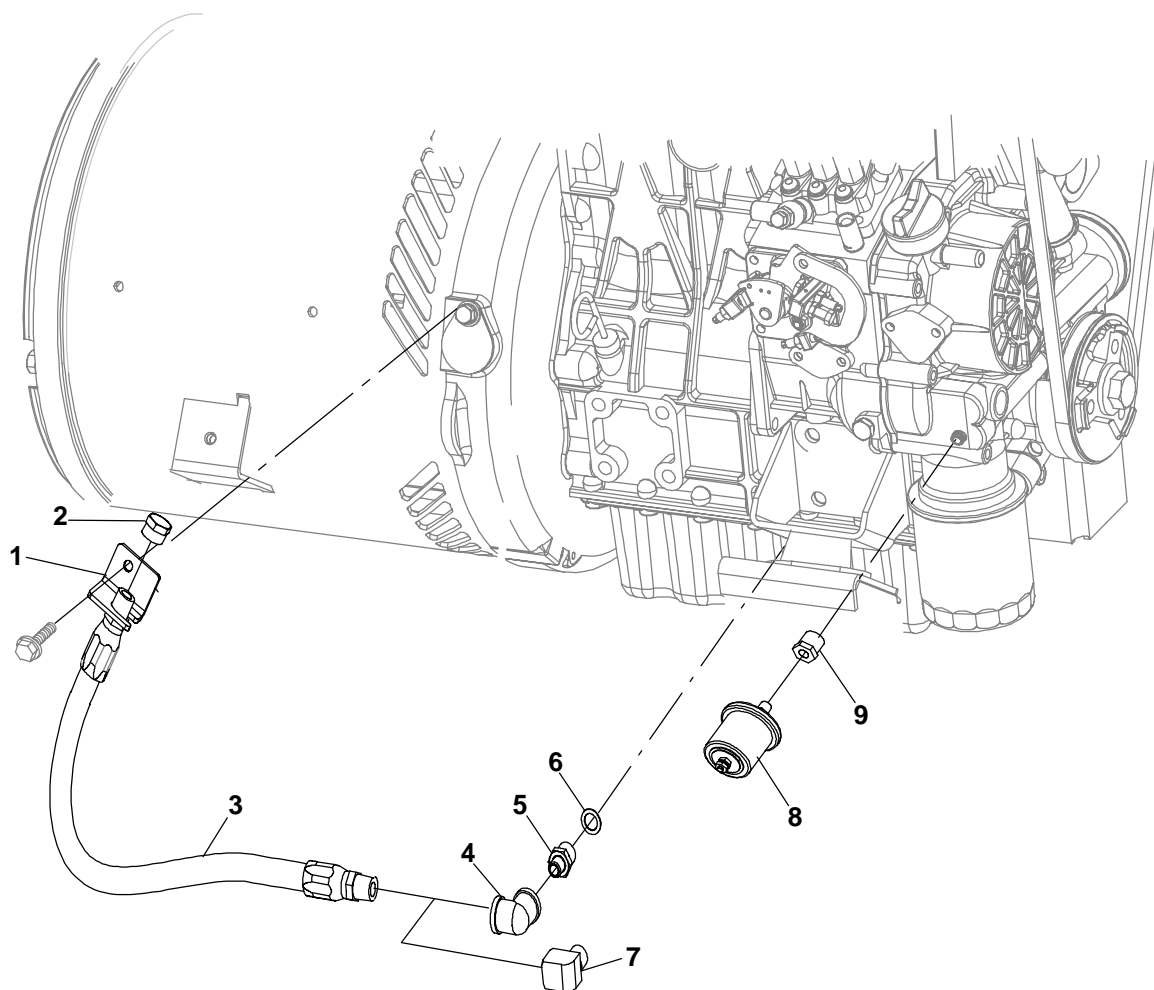
* - Parts not shown, loose in kit.

Coolant Recovery Tank



REF NO.	PART NO.	QTY. USED	PART DESCRIPTION	REF NO.	PART NO.	QTY. USED	PART DESCRIPTION
	130-3574	1	Kit, Coolant Recovery	3	130-3572	1	Cap, Tank
1	130-3571	1	Hanger, Tank	4	130-3573	1	Hardware Package (Includes Mounting Hardware)
2	503-1692	1	Hose (5/16 I.D. x 120" Lg.)				

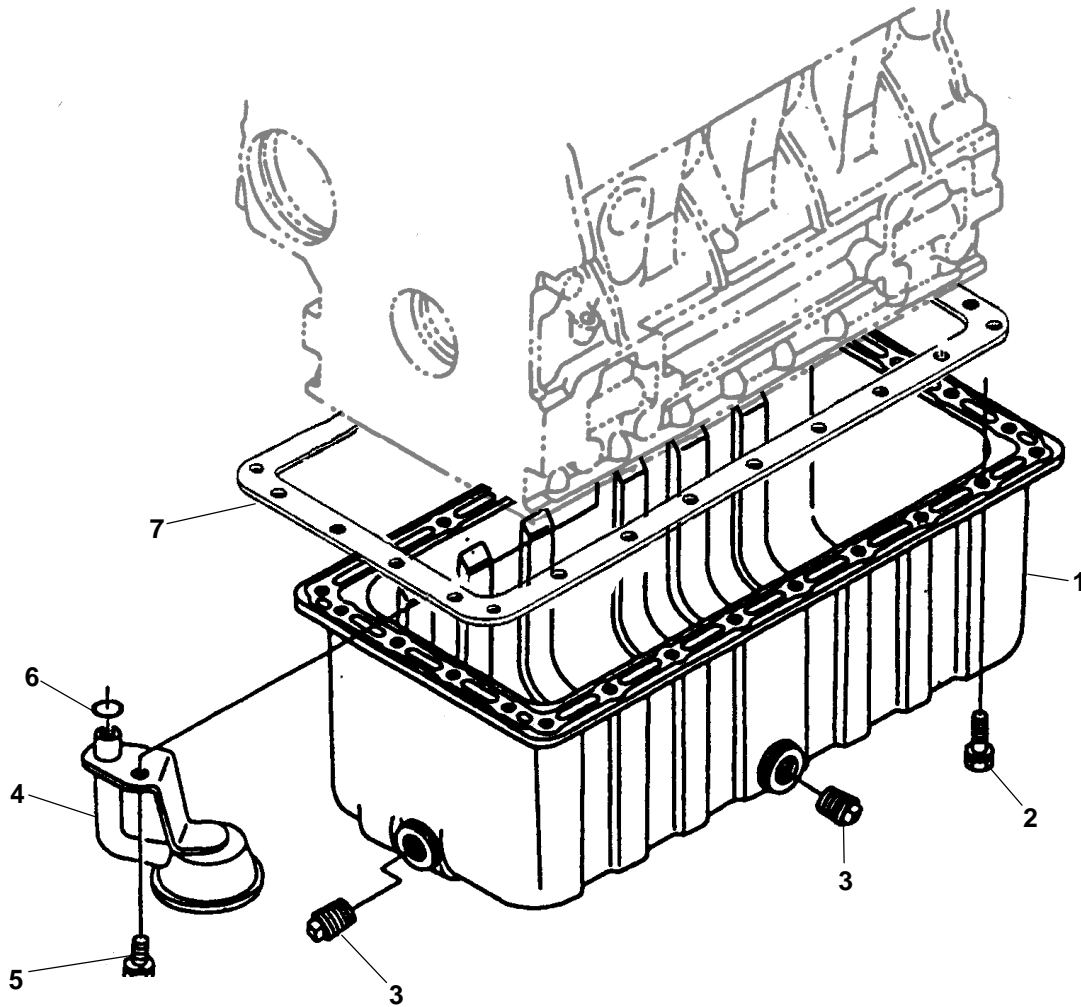
Oil System



REF NO.	PART NO.	QTY. USED	PART DESCRIPTION	REF NO.	PART NO.	QTY. USED	PART DESCRIPTION
1	120-1332-02	1	Bracket, Oil Drain	8			*Sender, Oil Pressure
2	502-1123	1	Cap, Pipe	193-0244		1	Negative Ground (B200 B201)
3	501-0624	1	Hose, Oil Drain	193-0430-01		1	+ Isolated Ground (B380)
4	502-0263	1	Elbow, Pipe(MDKBL)	9	505-0395	1	Reducer, Bushing (1/8" NPSF)
5	102-1485	1	Adapter, Oil Drain (MDKBL)				
6	185-5495	1	Gasket, Oil Drain (MDKBL)				
7	502-1180	1	Elbow, Pipe (MDKBM and MDKBN)				

* - Sender Included in Sender Kit Listed on Water Flange Page.
+ - Sender Included in Isolated Ground Kit Listed on Isolated Ground Page.

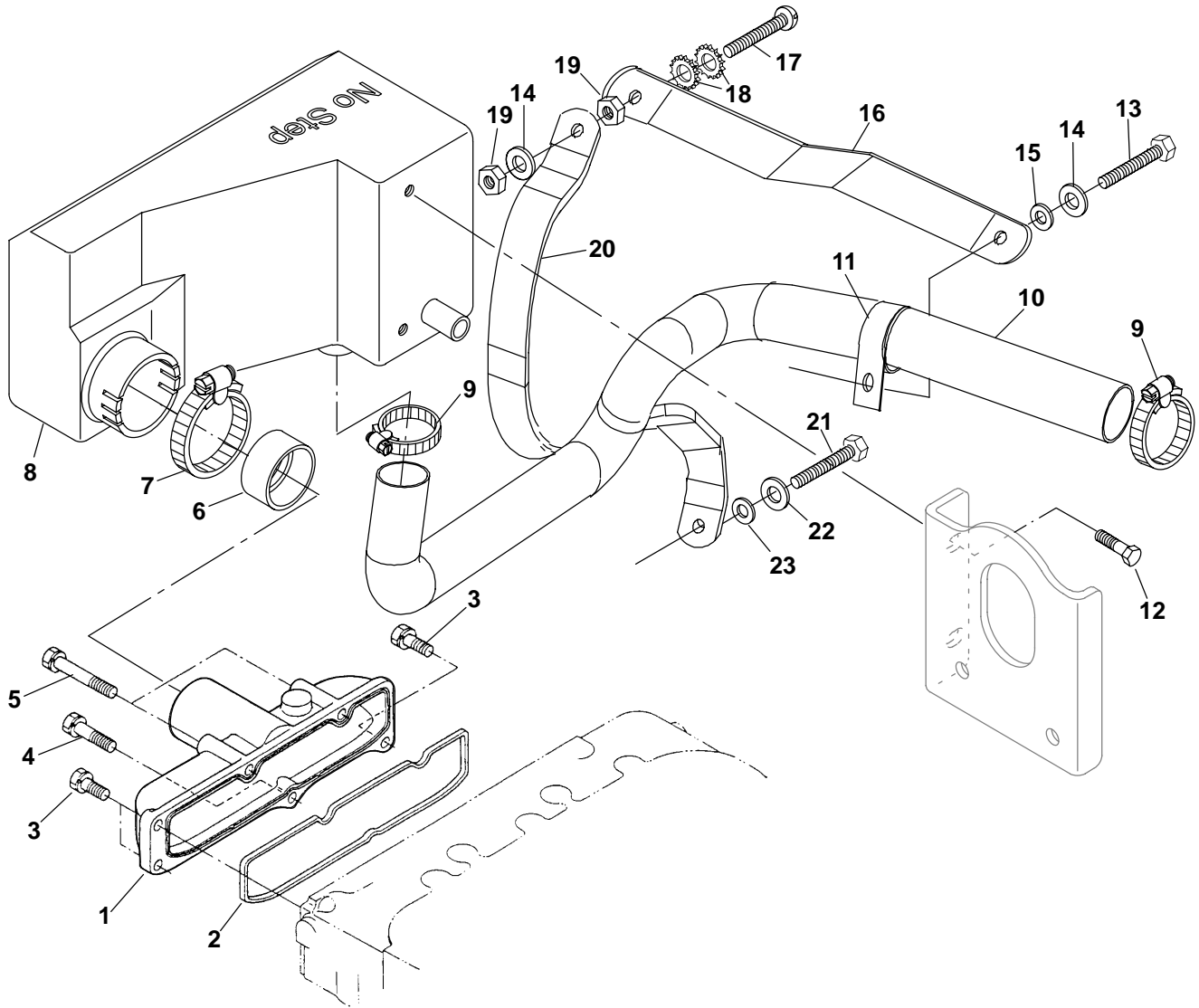
Oil Pan



REF NO.	PART NO.	QTY. USED	PART DESCRIPTION	REF NO.	PART NO.	QTY. USED	PART DESCRIPTION
1	185-7213	1	Pan, Oil	4	185-7215	1	Tube, Oil Pickup
	185-7246	1	MDKBL	5	185-6762	1	Bolt
2			MDKBM, MDKBN	6	185-3078	1	O'Ring
	185-2389	22	MDKBL	7			*Gasket, Oil Pan
	185-2386	26	MDKBM, MDKBN		185-2343	1	MDKBL
3			Plug		185-5478	1	MDKBM, MDKBN
	185-2096	1	MDKBL				
	185-5826	2	MDKBM, MDKBN				

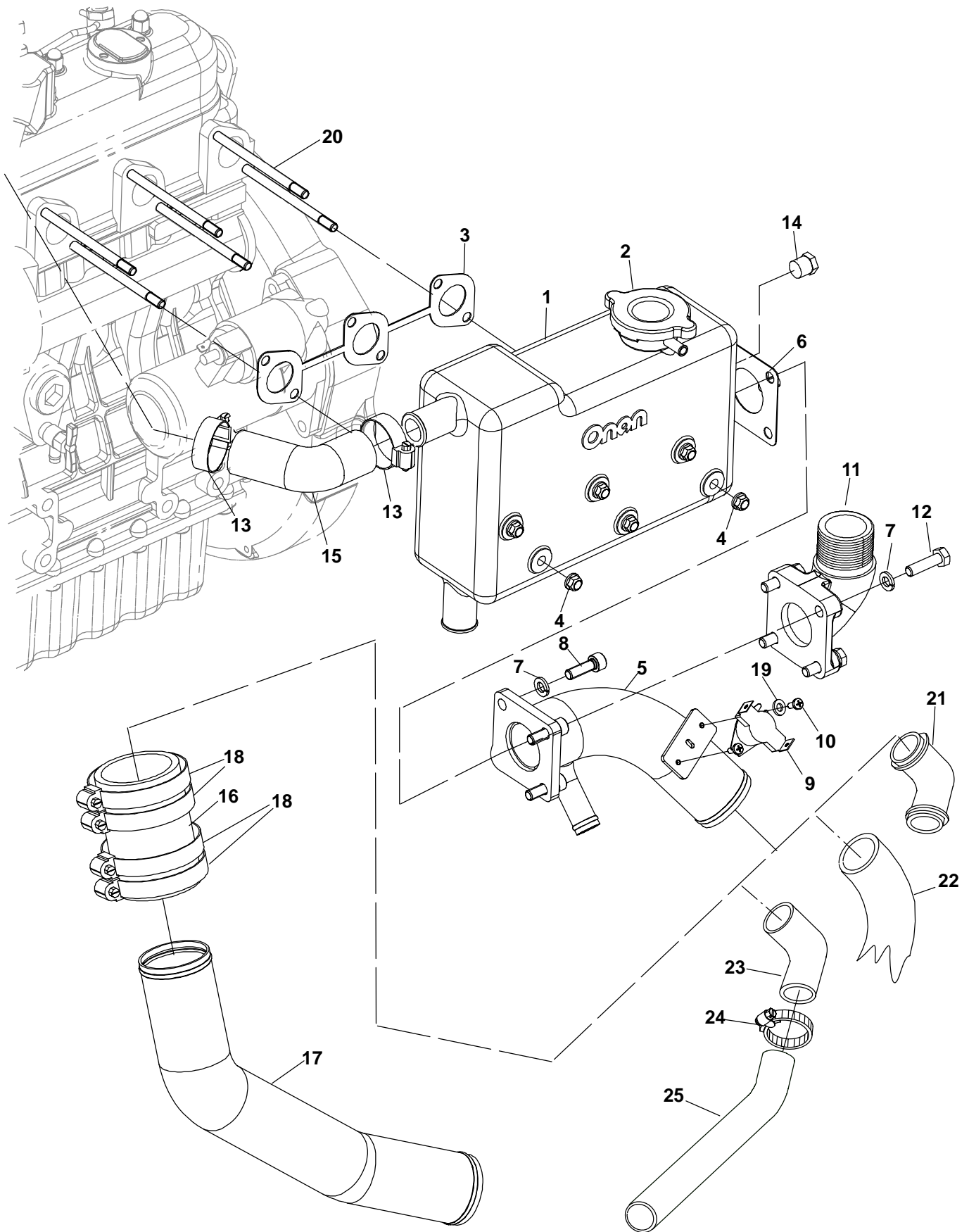
* - Or Use Three Bond #1207D or #TB1216.

Resonator



REF NO.	PART NO.	QTY. USED	PART DESCRIPTION	REF NO.	PART NO.	QTY. USED	PART DESCRIPTION
1			Manifold, Intake (Includes Gasket)	10	503-2202-01	1	Hose, Air Intake (1.25" ID)
	185-6927	1	MDKBL	11	130-4830	1	Clamp
	185-6700	1	MDKBM, MDKBN	12	821-6002-02	2	Screw, Hex Head Sems (M6 x 12)
2			Gasket	13	821-6001-03	1	Screw, Hex Head (M5 x 0.8 x 16mm)
	185-6926	1	MDKBL	14	526-2291	2	Washer, Flat
	185-6701	1	MDKBM, MDKBN	15	856-0003	1	Washer, EIT (M10)
3	185-2389	3	Screw, Hex Head (M6 x 18mm)	16	337-0081	1	Strap, Bond (.75 x 7.50")
4			Screw	17	810-0155	1	Screw, Slotted Round Head Brass (1/4-20 x 1.25")
	185-6677	1	MDKBL	18	856-0006	2	Washer, EIT (1/4")
	185-6677	2	MDKBM, MDKBN	19	871-0016	2	Nut, Hex Brass (1/4-20)
5			Screw, Hex Head (M6 x 50mm)	20	337-3507	1	Strap, Bond (12.7 x 412.7mm)
	185-7069	2	MDKBL	21	800-3042	1	Screw, Hex Head Cap (M4 X 10mm)
	185-7069	3	MDKBM, MDKBN	22	856-0002	1	Washer, EIT (#8)
6	140-2898	1	Sleeve, Air Intake	23	526-2050	1	Washer, Flat (M4)
7	503-1141	1	Clamp, Hose				
8	140-3078	1	Resonator, Intake				
9	503-1137	2	Clamp, Hose				

Exhaust Manifold

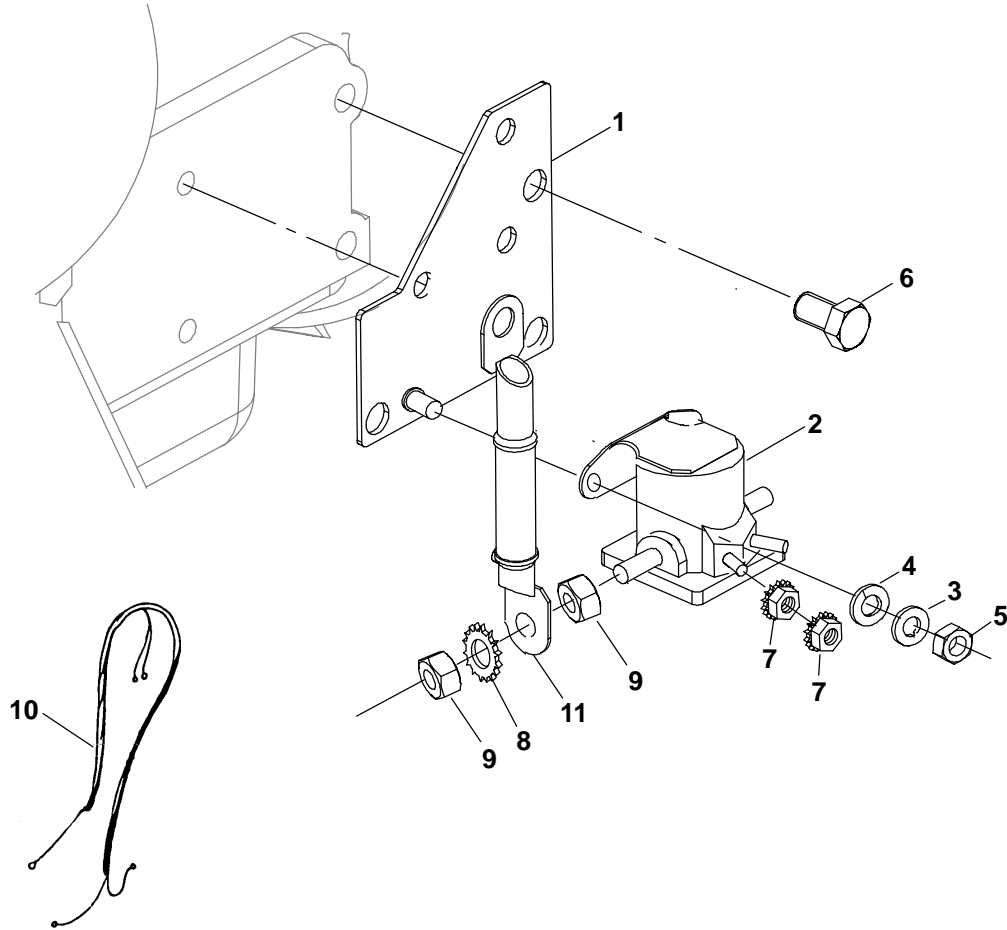


Exhaust Manifold

REF NO.	PART NO.	QTY. USED	PART DESCRIPTION	REF NO.	PART NO.	QTY. USED	PART DESCRIPTION
	155-3146	1	Kit, Dry Exhaust (Includes Parts Marked +)				(Dry Exhaust) (M8 x 30mm)
	155-3240	1	Kit, Front Exhaust (Includes Parts Marked*)	13	503-1137	2	Clamp Hose
			Kit, Exhaust (Includes Parts Marked #)	14			Plug, Pipe
					502-0153	1	MDKBL
					502-0820	1	MDKBM, MDKBN
	300-4686-01	1	Kit, Low Coolant Sender (Includes Sender Harness)	15	503-2046	1	Hose, Coolant
1			Manifold Assy (Includes Filler Neck)	16	503-2249	1	Hose, Exhaust (Wet)
				17			Tube, Exhaust (Wet)
	154-3020-01	1	MDKBL		155-3522	1	MDKBL
	154-3060	1	MDKBM, MDKBN		155-3533	1	MDKBM, MDKBN
2	130-3721	1	Cap, Radiator	18	503-1142	4	Clamp, Hose (Wet)
3			Gasket, Exhaust Manifold	19	526-0003	2	Washer, Flat (Wet)
	185-6925	1	MDKBL	20			Stud
	185-6854	1	MDKBM, MDKBN		185-7110	6	MDKBL
4			Nut, Hex Flange (M7 x 1mm)		185-7110	8	MDKBM, MDKBN
	185-6699	6	MDKBL	21	155-2033	1	Elbow, Exhaust (2")
	185-6699	8	MDKBM, MDKBN	22			Hose, Exhaust
5	155-3261-02	1	Mixer, Elbow (Wet)		503-1963-04	1	2" x 3'
6	185-6853	1	+Gasket, Exhaust		503-1963-05	1	2" x 5'
7	850-0114-54	4	Washer, Lock (M8)		503-1353	1	2" x 10'
8	815-0916	4	Screw, Socket Head Cap (M8 x 1.25 x 25mm)(Wet)		503-1320	1	2" (Bulk)
9	309-0295-01	1	Switch, Temperature (Wet)	23	503-1527	1	*Elbow, Molded Exhaust
10	815-0862	2	Screw, Pan Head XREC (M4 x 10mm)(Wet)	24	503-1142	4	*Clamp, Hose
11	155-2666-01	1	+Elbow, Exhaust (Dry Exhaust)	25			*Tube, Exhaust
12	800-3017-21	4	Screw, Hex Head Cap		155-3233	1	MDKBL (27")
					155-3256	1	MDKBM, MDKBN (30.5")
				26	508-0115	1	*Grommet

“Blank Page”

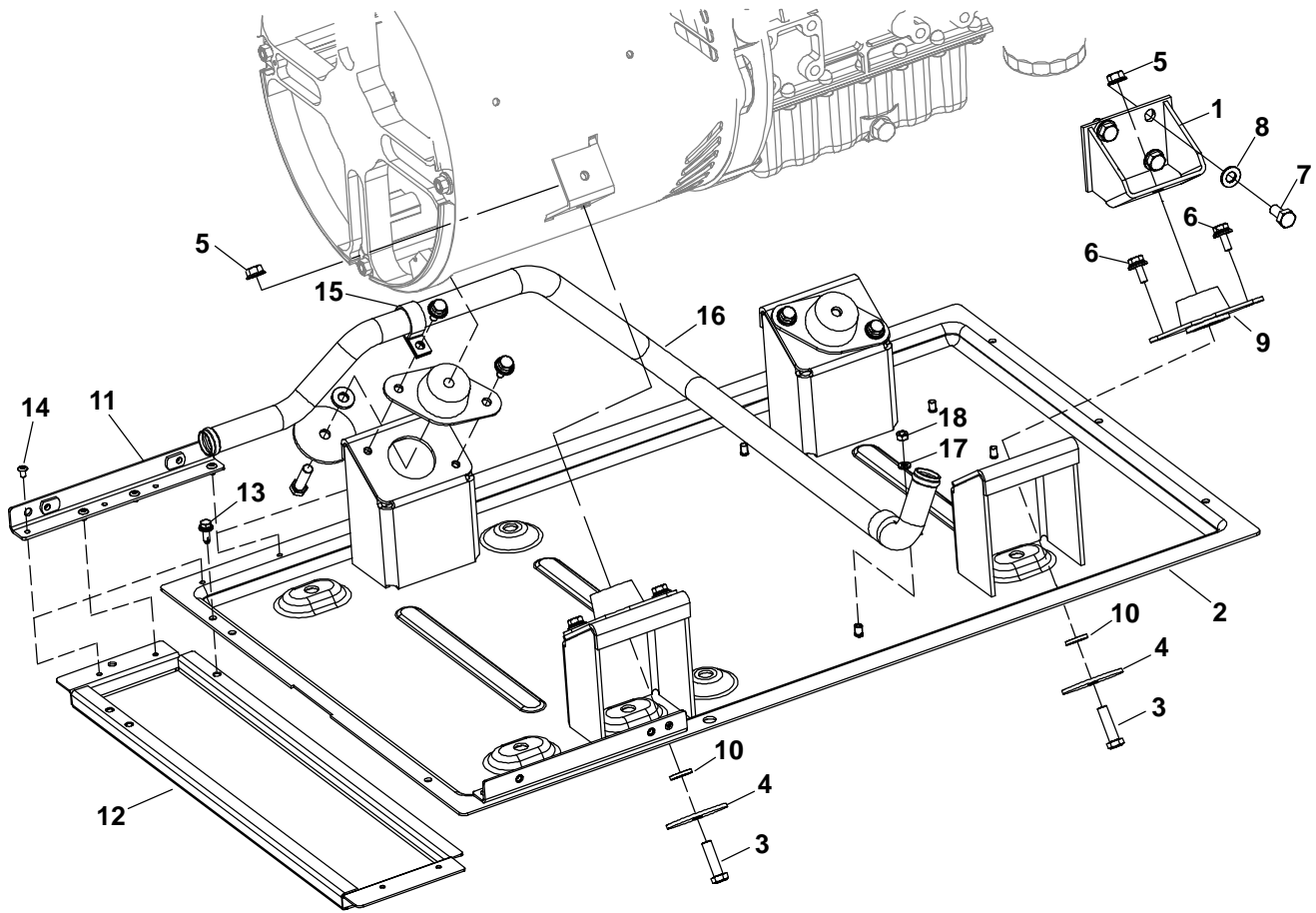
Isolation Ground



REF NO.	PART NO.	QTY. USED	PART DESCRIPTION	REF NO.	PART NO.	QTY. USED	PART DESCRIPTION
			Kit Isolated, Ground (Includes Screws, Sending Units and Harness)	6	800-3025	3	Screw, Hex Head Cap (M12 x 1.25 x 20)
	541-0823	1	12V	7	870-0131-01	2	Nut, ET Hex (#10-32) (12V)
	541-0824	1	24V	8	853-0016	2	Washer, ET Lock (5/16")
1	333-0662-02	1	Bracket, Solenoid	9	862-0026-30	2	Nut, Hex (5/16-24)
2			*Relay, Solenoid	10	338-4159	1	Harness, Isolated Ground
	307-1617	1	12V	11	338-4200-02	1	Harness, Ground
	307-2656	1	24V				
3	526-0399-58	2	Washer, Flat (M6)				
4	850-0114-53	2	Washer, Split Lock (M6)				
5	862-0026-54	2	Nut, Hex (M6)				

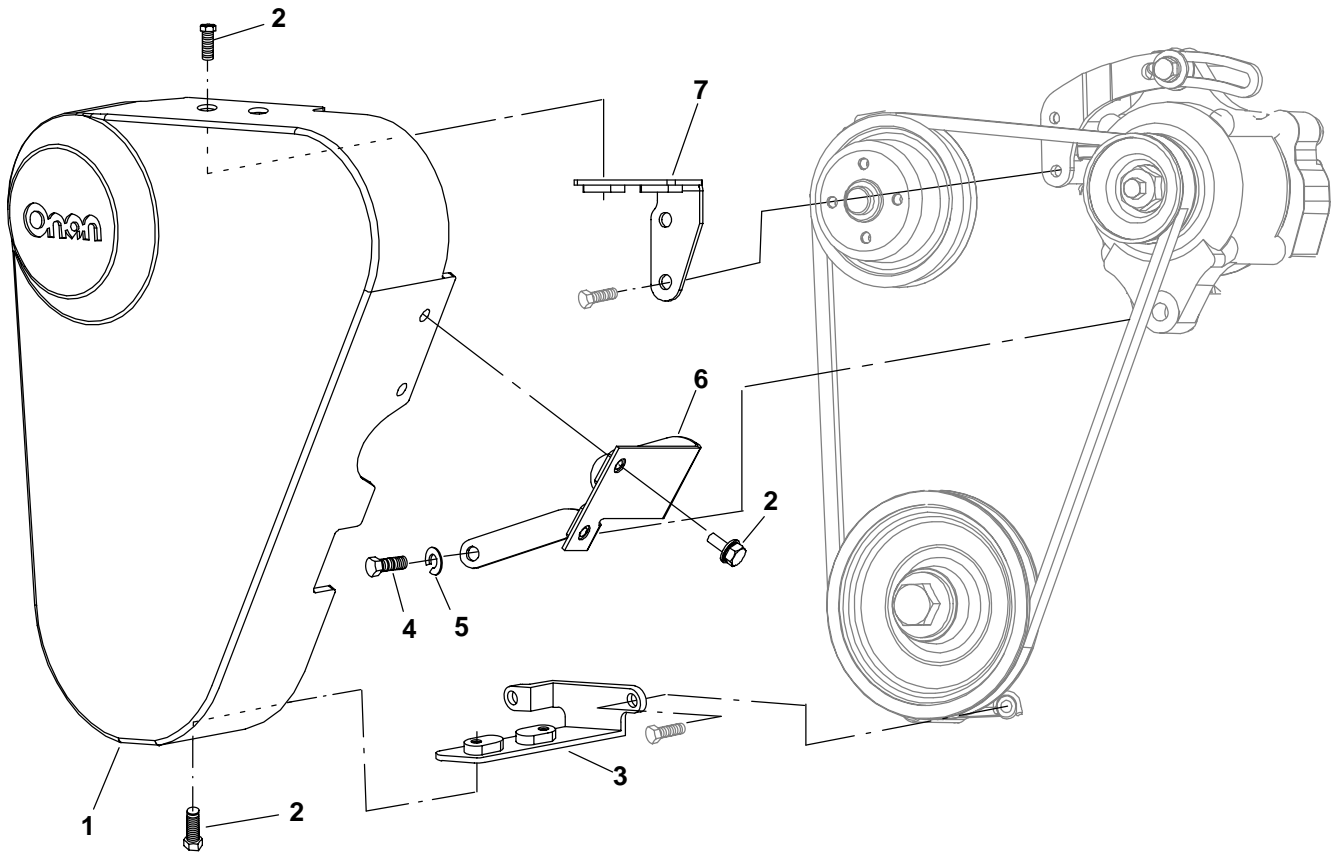
* - Relay Solenoid ties to B- and K9-1 Isolated Ground
Harness (338-4200-01)

Mounting Base



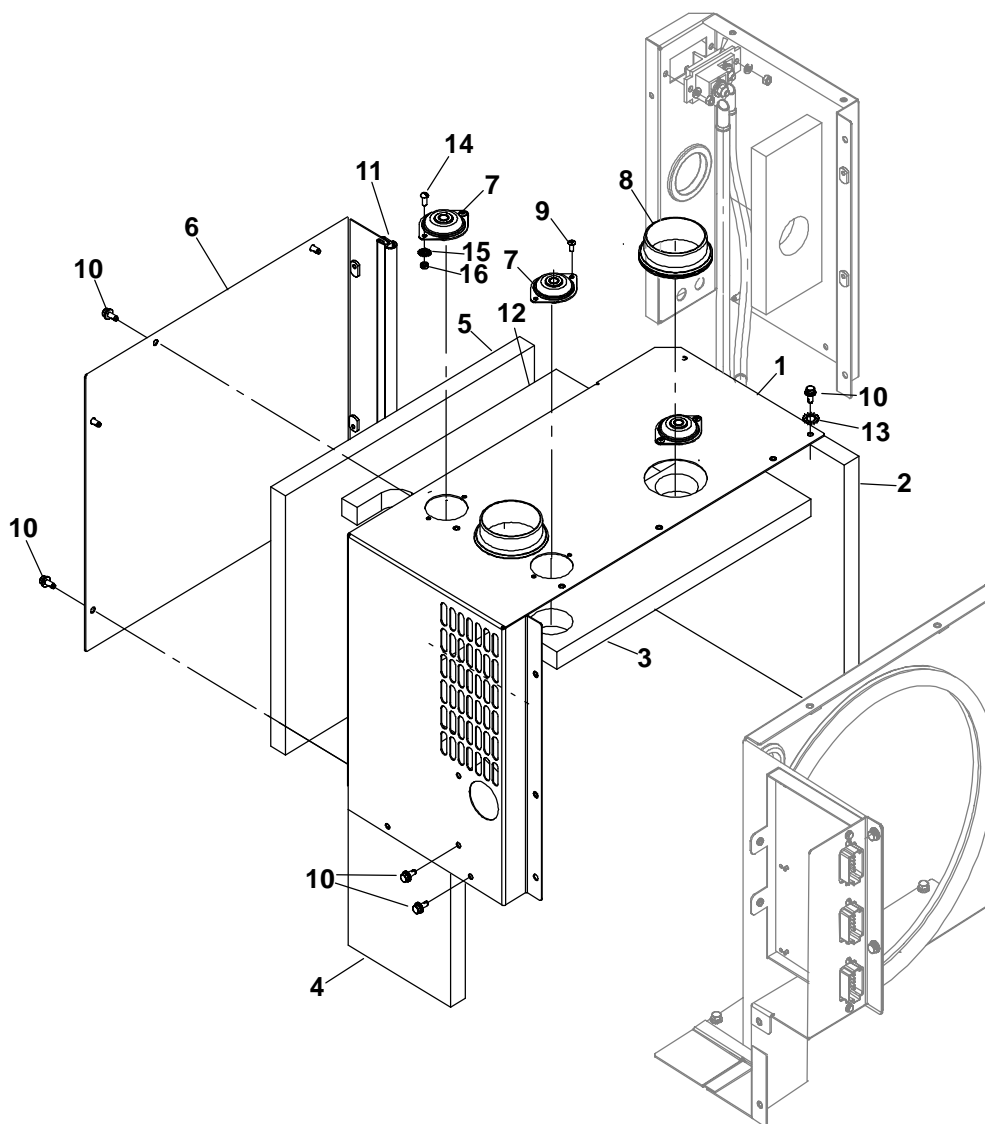
REF NO.	PART NO.	QTY. USED	PART DESCRIPTION	REF NO.	PART NO.	QTY. USED	PART DESCRIPTION
1	403-4168-04	2	Mount, Engine	10	526-0030	4	Washer, Flat
2	403-4406-03	1	Base, Mounting MDKBL	11	405-6516-02	2	Housing, Bracket
	403-4406-04	1	MDKBM, MDKBN	12	405-6518-02	1	Extension, Mounting Base (MDKBM, MDKBN)
3	800-0573	4	Screw, Hex Head Cap (3/8-16 x 2.25")	13	821-6006-01	2	Screw, Hex Head Sems Stainless (M6 1.0 x 16mm) (MDKBM, MDKBN)
4	526-0325	4	Washer, Flat				
5	870-0550-09	4	Nut, Hex (3/8-16)	14	818-0231-01	6	Rivet, Pop MDKBL
6	821-6003-01	8	Screw, Hex Head Sems (M8 x 1.25 x 16mm)		818-0231-01	8	MDKBM, MDKBN
7	800-3030	8	Screw, Hex Head Cap (M10 x 1.25 x 20mm)	15	518-0548-42	2	Clamp, Hose
8	526-0399-62	8	Washer, Flat (M10)	16	130-5448-01	1	Tube, Coolant MDKBL
9	402-0728-00	4	Isolator, Vibration MDKBL (Blue Dot, 150lbs)		130-5448-02	1	MDKBM, MDKBN
	402-0728-02	4	MDKBM, MDKBN (Purple Dot, 215lbs)	17	850-0114-53	1	Washer, Lock (M6)
				18	862-0026-54	1	Nut, Hex (M6)

Belt Guard (Unhoused)



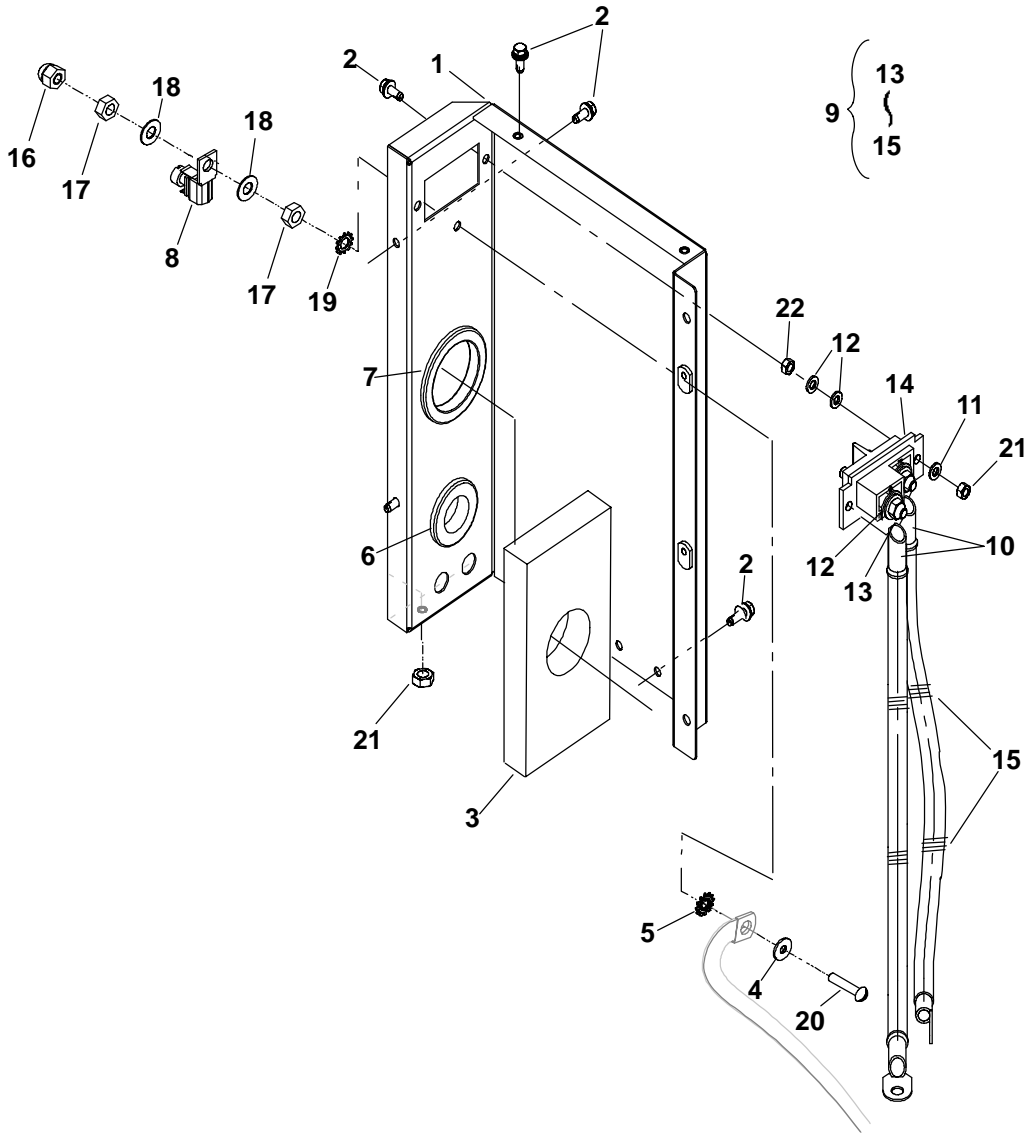
REF NO.	PART NO.	QTY. USED	PART DESCRIPTION	REF NO.	PART NO.	QTY. USED	PART DESCRIPTION
	541-0590	1	Kit, Belt Guard	5	850-0114-53	1	Washer, Lock (M6)
1	130-4870	1	Guard, Belt	6	130-4945-03	1	Bracket, Belt Guard Side
2	821-6002-02	6	Screw, Hex Head Sems (M6 x 1 x 12mm)	7	130-4847-03	1	Bracket, Belt Guard Top
3	130-4869-03	1	Bracket, Belt Guard Bottom	* - Unhoused Set Only.			
4	800-3017-02	1	Screw, Hex Head Cap (M6 x 1 x 12mm)				

Generator Sound Shield Housing



REF NO.	PART NO.	QTY. USED	PART DESCRIPTION	REF NO.	PART NO.	QTY. USED	PART DESCRIPTION
1	405-6491-03	1	Panel, Housing	10	821-6006-01	3	Screw, Hex Head Sems Stainless Steel (M6 x 1.0 x 16mm)
2	405-6682	1	Insulation, Housing	11	895-0402	1	Seal, Weather (1.25')
3	405-6685	1	Insulation, Housing (Top)	12	405-6686	1	Insulation, Housing
4	405-6684	1	Insulation, Housing	13	853-2006	3	Washer, Lock ETIT (M6)
5	405-6689	1	Insulation, Housing Rear Cover	14	813-0100	1	Screw, Hex Head Cap (M6 x 1 16mm)
6	405-6520-03	1	Cover, Rear	15	856-0003	1	Washer Eit (#10)
7	402-0681-01	3	Isolator, Vibration	16	870-0131	1	Nut, Sems Eit (#10-32)
8	508-1152	2	Grommet, Rubber				
9	818-0231-01	5	Rivet, Pop (.315 x 1.77")				

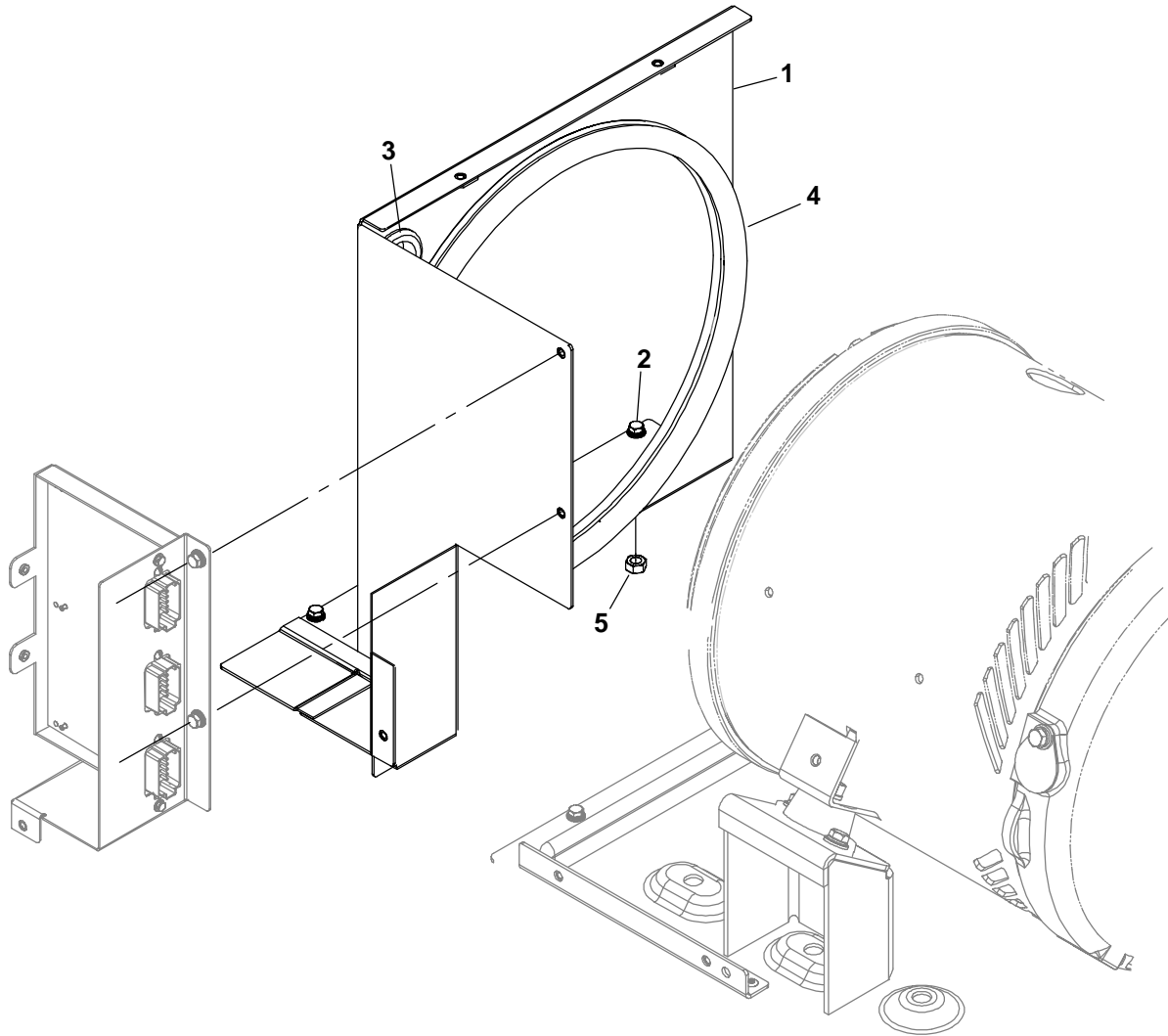
Generator Housing Panel



REF NO.	PART NO.	QTY. USED	PART DESCRIPTION	REF NO.	PART NO.	QTY. USED	PART DESCRIPTION
	332-3771	1	Kit, Terminal Boot (Includes Parts Marked *)	11	526-2081	2	Washer, Flat
1	405-6492-03	1	Panel, Housing	12	526-0054	4	#Washer, Flat Brass (5/16")
2	821-6006-01	7	Screw, Hex Sems Stainless Steel (M6 x 1 x 16mm)	13	862-0015	2	#Nut, Hex (.313-18)
3	405-6683	1	Insulation	14	332-3408	1	#Block, Terminal
4	526-2083	1	Washer, Flat (M6)	15	332-1554	4	#Clamp, Loop
5	856-0006	1	Washer, EIT (1/4")	16	860-2036	1	Nut, Hex Acorn (1/4-20 Nylon)
6	508-1102	1	Grommet, Rubber	17	871-0016	2	Nut, Hex Brass (1/4-20)
7	508-0115	1	Grommet, Rubber	18	526-0052	2	Washer, Flat (1/4")
8	332-0142	1	Lug, Solderless	19	853-2006	2	Washer, ET (M6)
9	338-3577	1	Harness, Battery (Includes Parts Marked#)	20	810-0155	1	Screw, Round Head Brass Mach (1/4-20 x 1-1/4")
10			*Red and Black Insulators	21	860-2057	3	Nut, Hex Mach (M6)
	332-2112	1	Black	22	871-0025	2	Nut, Full (5/16-18)
	332-2112-01	2	Red				

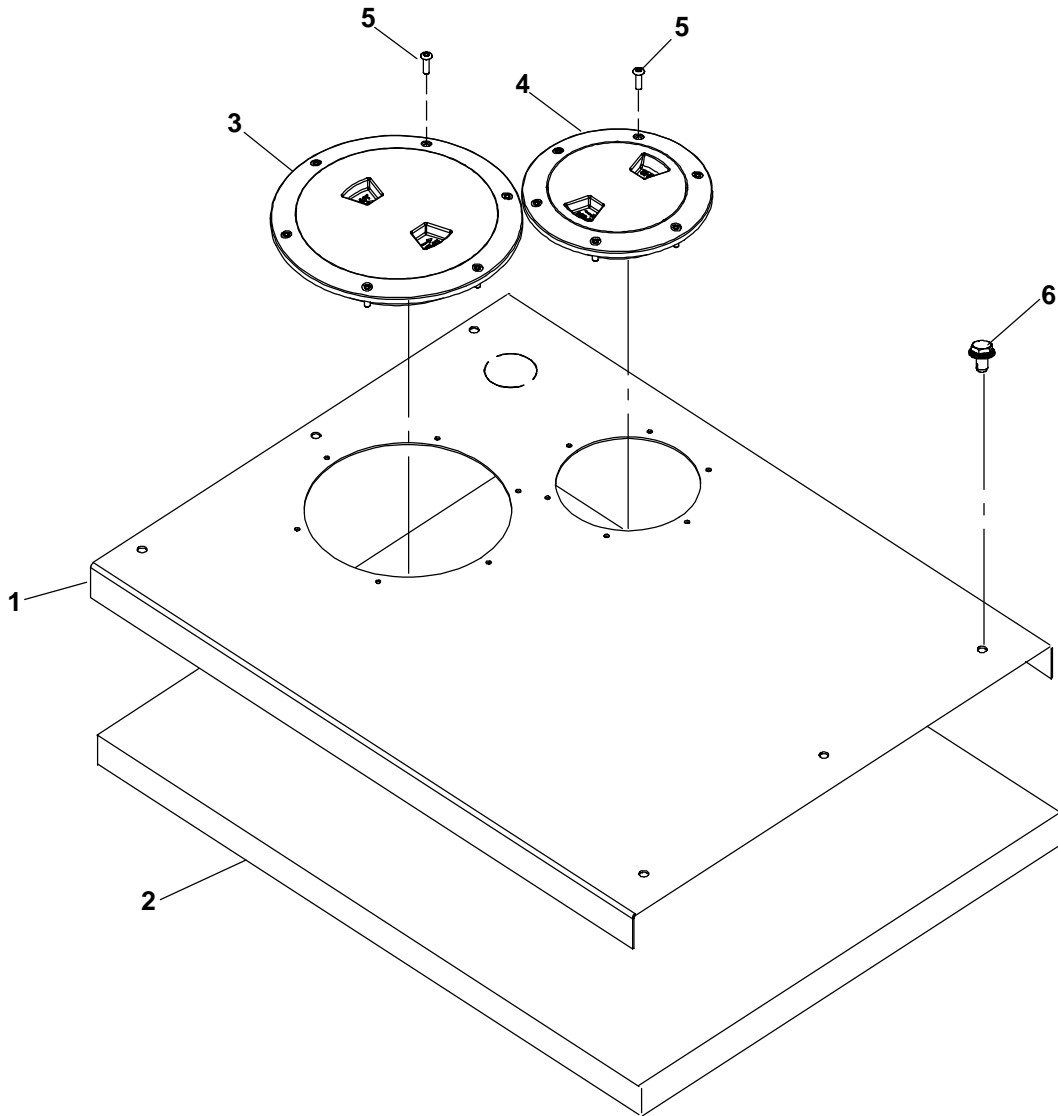
*- Parts Included in Terminal Boot Kit.

Generator Baffle



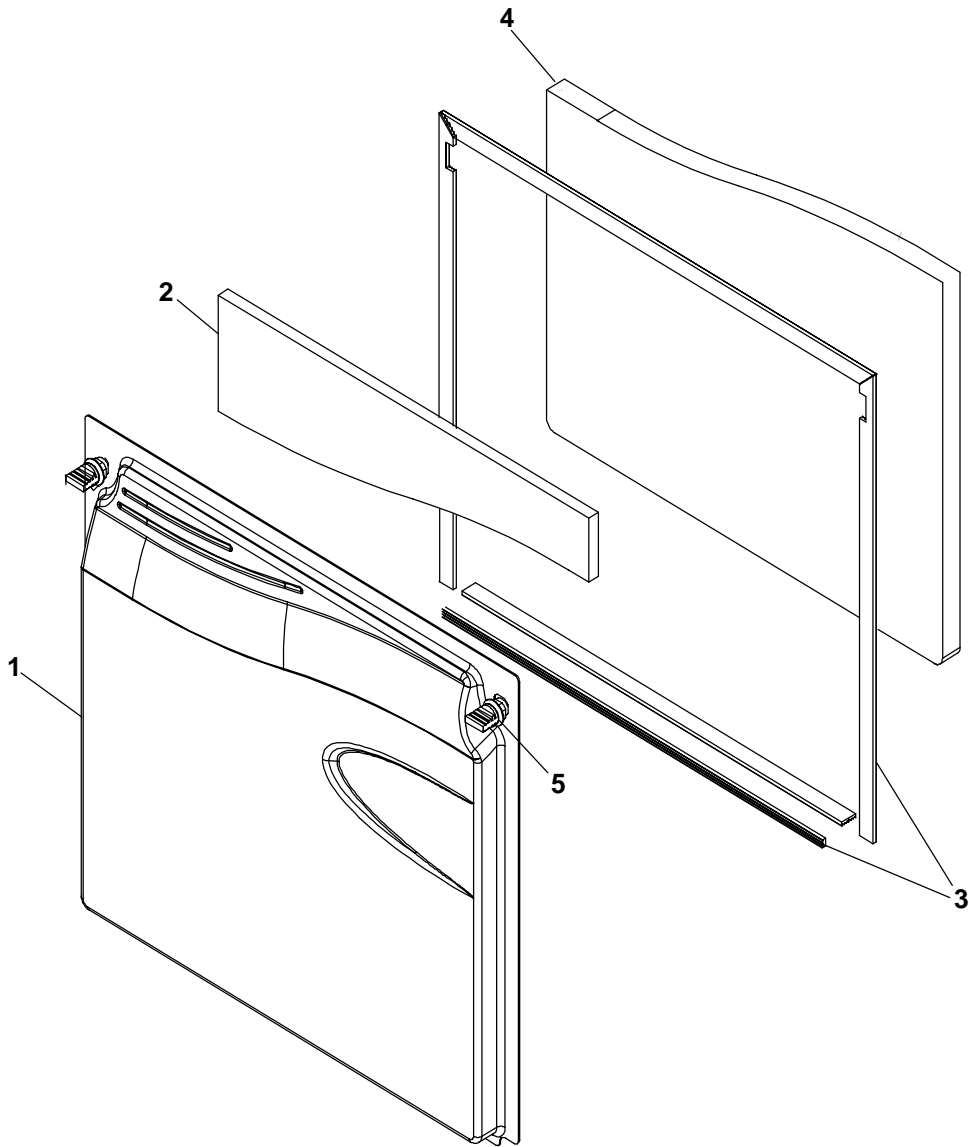
REF NO.	PART NO.	QTY. USED	PART DESCRIPTION	REF NO.	PART NO.	QTY. USED	PART DESCRIPTION
1	405-6517-03	1	Baffle, Generator	4	895-0381	1	Seal, Weather (3.6')
2	821-6006-01	2	Screw, Hex Sems Stainless (M6 x 1 x 16mm)	5	860-2057	2	Nut, Hex Mach (M6)
3	508-1126	1	Grommet, Rubber				

Engine Sound Shield



REF NO.	PART NO.	QTY. USED	PART DESCRIPTION	REF NO.	PART NO.	QTY. USED	PART DESCRIPTION
			Kit, Sound Shield (Includes + for next 3 Pages)	2	405-6688	1	+Insulation, Roof
	541-0588	1	MDKBL,	3	405-6340	1	+Cover, Access
	541-0589	1	MDKBM MDKBN	4	405-6709	1	+Cover, Access
	405-6959	1	Kit, Panel Roof	5	818-0239-03	12	+Rivet, Pop
1	405-6524-03	1	+Panel, Roof	6	821-6006-01	6	+Screw, Hex Head Sems (M6 x 1 x 16mm)

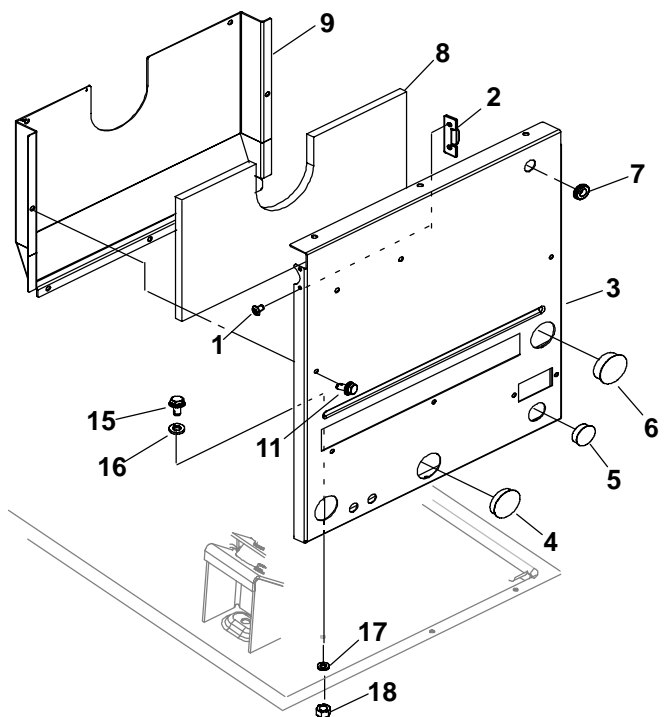
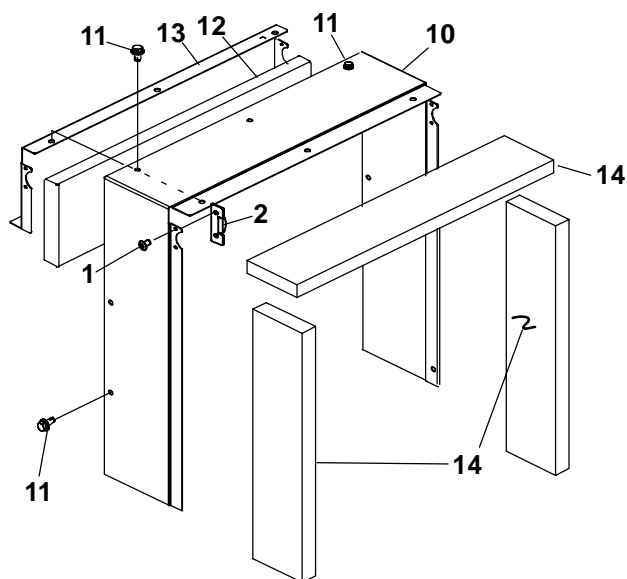
Engine Panel Sound Shield



REF NO.	PART NO.	QTY. USED	PART DESCRIPTION	REF NO.	PART NO.	QTY. USED	PART DESCRIPTION
	405-6957	1	Kit, Door (Single Door)	4	405-6687	1	+Insulation, Door
1	405-6519-03	1	+Door, Sound Shield	5	406-0958	2	+Latch, Door (1/4 Turn)
2	405-6797	1	+Insulation, Door				
3	895-0395	1	+Seal, Weather (15.6')				

+ - Parts Included in Sound Shield Kit Listed on Engine Sound Shield Page.

Engine Panel Sound Shield

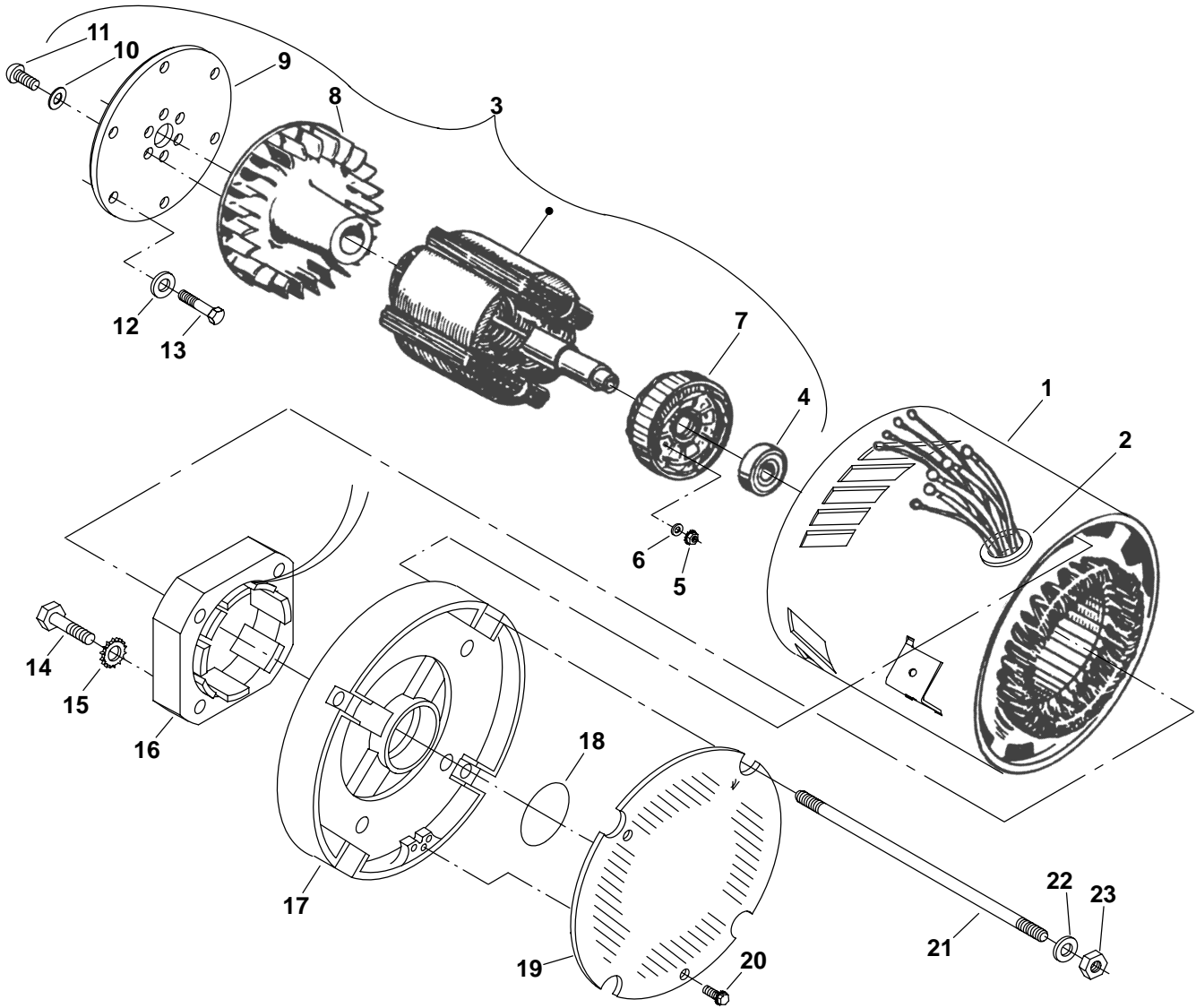


REF NO.	PART NO.	QTY. USED	PART DESCRIPTION	REF NO.	PART NO.	QTY. USED	PART DESCRIPTION
	405-6958	1	Kit, Front Panel (Includes Parts Marked *)	11			Screw, Hex Sems Stainless (M6 x 1 x 16mm)
	405-6960	1	Kit, Panel Duct (Includes Insulation and Panel)	821-6006-01	16		MDKBL
	405-6961-01	1	Kit, Roof Extension Panel (Included Catch & Rivets +)	821-6006-01	23		MDKBM, MDKBN
	405-6961-02	1	Kit, Roof Extension Panel (Included Catch & Rivets >)	12	405-4445-03	1	>+Panel, Roof End Insulation
1	818-0231-01	8	>+*Rivet, Pop	13	405-6523-03	1	+Panel, Roof End
2	406-1032	4	>+*Catch, Door	14	405-6811	3	>Insulation, Panel Roof Extension (MDKBM, MDKBN)
3	405-6513-03	1	*Panel, Front	15	800-6033	1	Screw, Hex Head Cap (M6 x 1x 16mm)
4	517-0138-07	1	*Plug, Hole	16	853-2006	1	Washer, ET (M6)
5	517-0138-04	1	*Plug, Hole	17	850-2056	3	Washer, Lock (M6)
6	517-0138-09	1	*Plug, Hole	18	860-2057	3	Nut, Hex (M6)
7	508-0021	1	*Grommet, Rubber				
8	405-6700	1	Insulation, Duct				
9	405-6515-03	1	Panel, Duct				
10	405-6521-03	1	>Panel, Roof Extension (MDKBM, MDKBN)				

* - Parts Included in Front Panel Kit.

>+ - Parts Included in Roof Extension Panel Kit.

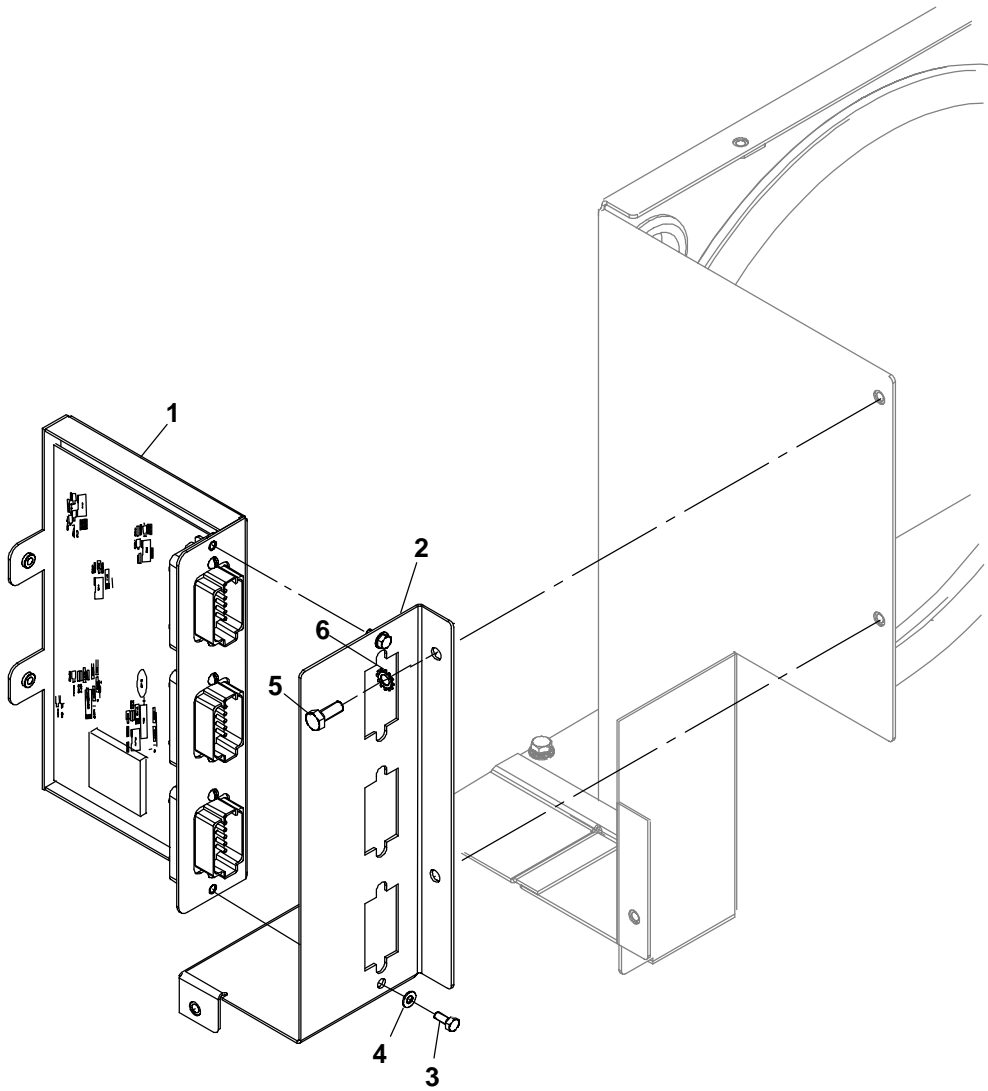
Generator



REF NO.	PART NO.	QTY. USED	PART DESCRIPTION	REF NO.	PART NO.	QTY. USED	PART DESCRIPTION
1			Stator, Generator (Includes Grommet)	13	800-2054	6	Screw, Hex Head Cap (M8 x 1.25 x 14mm)
	220-4600-01	1	MDKBL	14	815-0843	4	Screw, Hex Head Thread Form (1/4")
	220-4600-03	1	MDKBM, MDKBN	15	853-0013	4	Washer, Lock ET (1/4")
2	508-0183	1	Grommet	16	220-4413-02	1	Stator, Exciter
3			Rotor Assy, Generator (Includes Parts Marked *)	17	211-0465-02	1	Endbell
	201-3565-01	1	MDKBL	18	509-0094	1	Seal, O'Ring
	201-3565-03	1	MDKBM, MDKBN	19	234-0989	1	Cover, Endbell
4	510-0112	1	*Bearing, Ball	20	815-0181	3	Screw, ET Hex Head Thread Cutting (#10-32 x 1/2")
5	870-0131-01	2	*Nut, ET Hex (#10-32)	21			Stud
6	526-0399-11	2	*Washer, Flat (#10)		520-1002-06	4	MDKBL
7	201-3515-02	1	*Rotor, Exciter		520-1004-02	4	MDKBM, MDKBN
8	205-0255	1	*Fan, Generator	22	526-0399-42	4	Washer, Flat (.375")
9	232-2826	1	*Disk, Rotor Drive	23	862-0026-07	4	Nut, Hex (3/8-16")
10	526-0399-42	6	*Washer, Flat (3/8")				
11	815-0917-04	6	*Screw, Button Head Torx (3/8-16 x 1")				
12	526-0399-41	6	Washer, Flat (.312)				

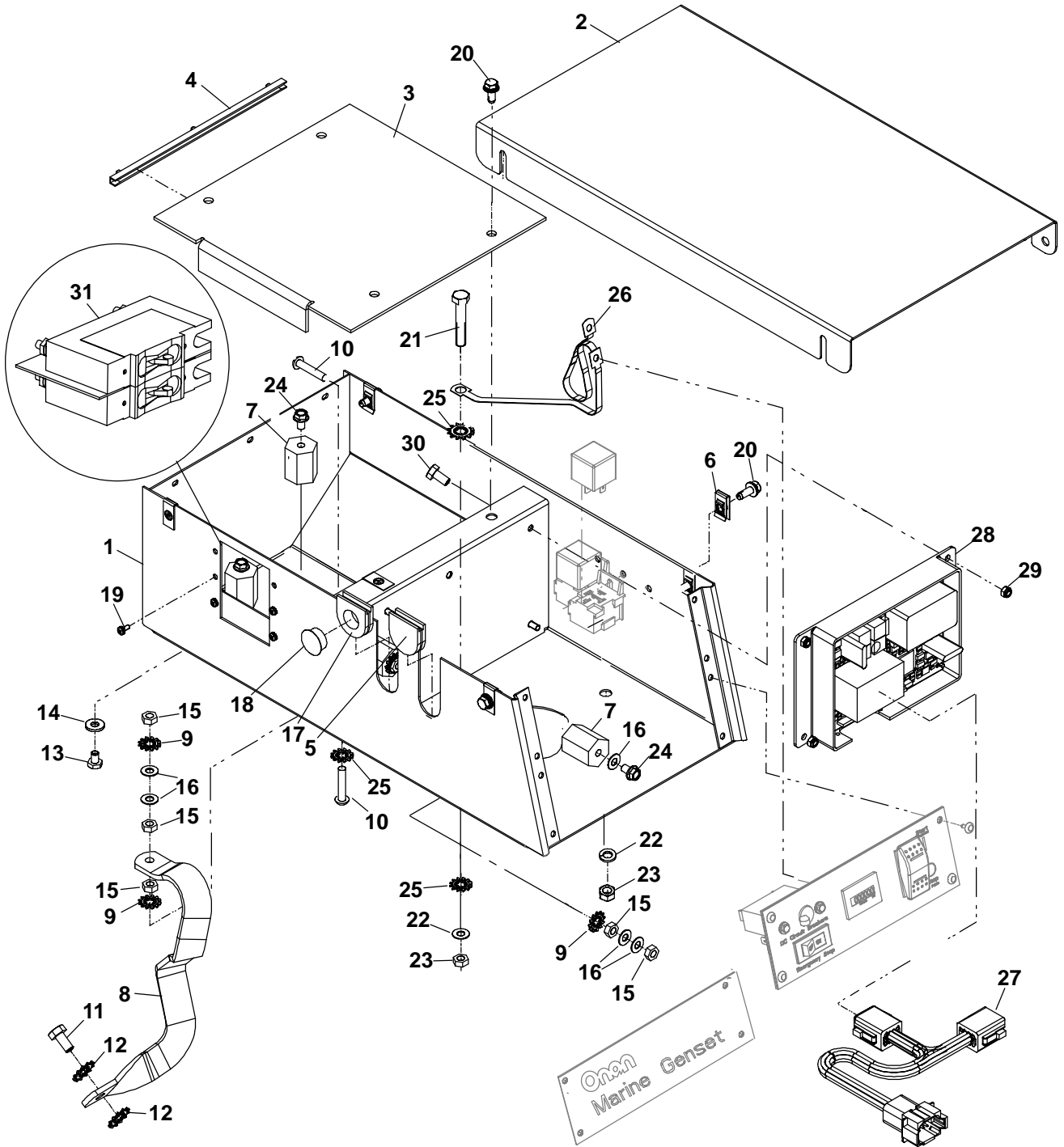
* - Parts Included in Rotor Assy.

PCB Mounting



REF NO.	PART NO.	QTY. USED	PART DESCRIPTION	REF NO.	PART NO.	QTY. USED	PART DESCRIPTION
1	300-5966	1	PCB, Control	5	800-6033	3	Screw, Hex Head Sems Stainless (M6 x 1 x 16mm)
2	405-6522-03	1	Panel, UMC Mounting	6	853-2006-54	3	Washer, ET (M6)
3	800-3042	2	Screw, Hex (M4 x 10)				
4	526-2050	2	Washer, Flat (M4)				

Control Box

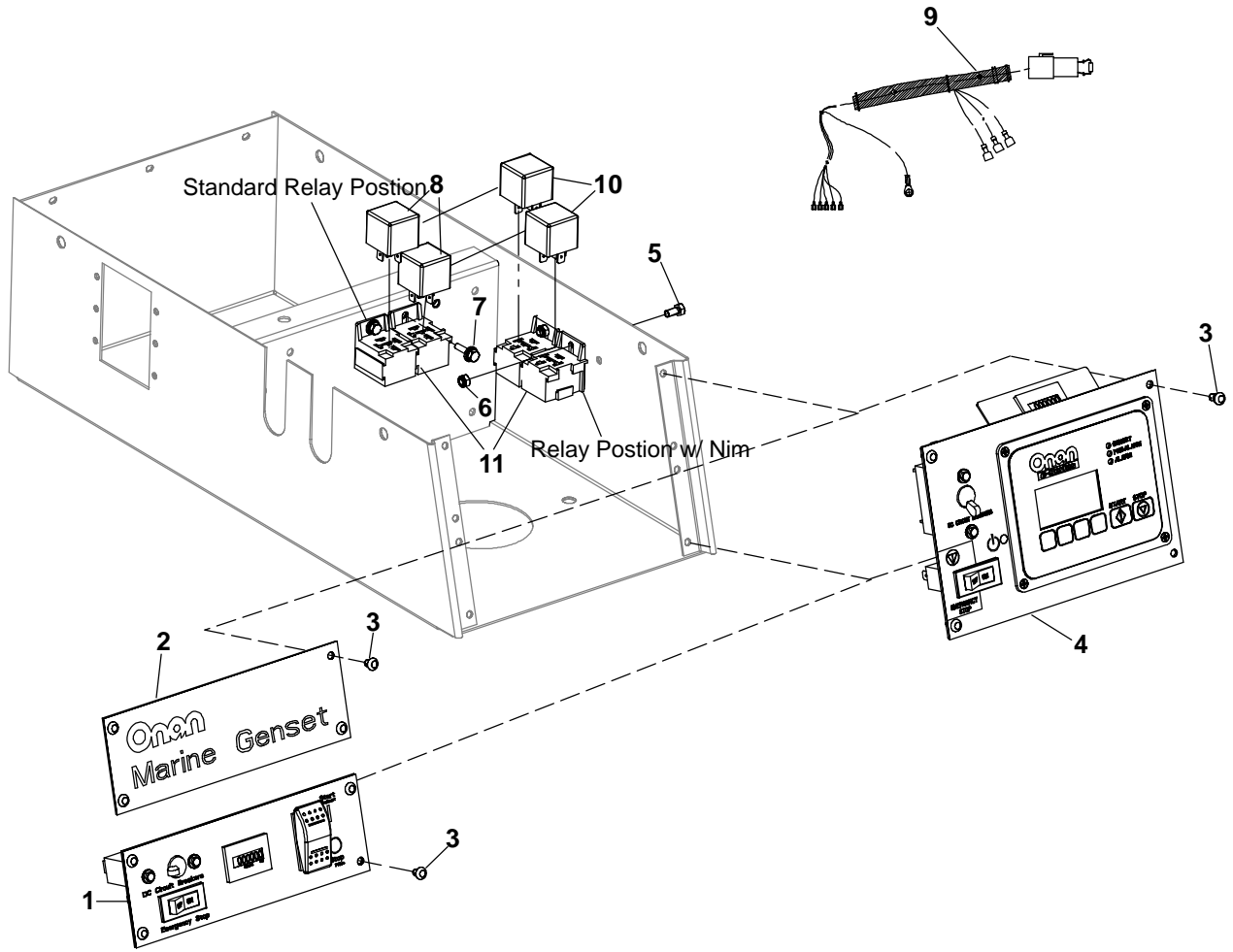


Control Box

REF NO.	PART NO.	QTY. USED	PART DESCRIPTION	REF NO.	PART NO.	QTY. USED	PART DESCRIPTION
1	319-5503-03	1	Control, Box	20	821-6006-01	6	Screw, Hex Head Sems Stainless (M6 x 1 x 16mm)
2	319-4370-03	1	Cover, Control	21	800-6062	3	Screw, Hex Head Cap (M8 x 1.25 x 45mm)
3	319-4404	1	Cover, Control	22	850-2058	3	Washer, Split Lock Stainless (M8)
4	332-3750	1	Guide, Card	23	860-2058	3	Nut, Hex Stainless (M8 x 1.25mm)
5	508-1105-01	1	Grommet, Remote	24			Screw, Hex Flange (1/4-20 x 3/8")
6	870-2228	6	Clip, Nut		821-0009	2	Neg Gnd Single Phase
7	332-2370	2	Standoff, Insulator		821-0009	3	Neg Gnd Three Phase
8	337-2795	1	Strap, Bond		821-0009	3	ISO Gnd Single Phase
9			Washer, Lock (1/4")		821-0009	4	ISO Gnd Three Phase
	856-0006	4	Neg Gnd	25	856-0008	2	Washer, EIT(5/16")
	856-0006	3	ISO Gnd	26	337-3508	1	Strap, Bond
10			Screw, Brass (1/4-20 x 1.25")	27	338-4491	1	Harness, Accessory (NIM)
	810-0155	2	Neg Gnd	28			PCB (NIM)
	810-0155	1	ISO Gnd		327-1444-01	1	J1939
11	800-3017-18	1	Screw, Hex Head Cap (M8 x 1.25 x 16mm)		327-1444-02	1	* SmartCraft
12	853-0016	1	Washer, Lock	29	870-2062	2	Nut, Nylon Lock (M5)
13			Screw, Hex Head Cap (1/4-20 x .375")	30	800-6002	4	Screw, Hex Head Sems (M5 x .8 x 10mm)
	800-0310-01	2	Single Phase	31			Breaker, Circuit
	800-0310-01	3	Three Phase				MDKBL
14			Washer, Flat (1/4-20)		320-1689-04	1	30Amps
	526-0399-13	2	Single Phase		320-1689-05	1	35Amps
	526-0399-13	3	Three Phase		320-1689-12	1	55Amps
15			Nut, Hex Brass (1/4-20)				MDKBM
	871-0016	5	Neg Gnd		320-1689-06	1	40Amps
	871-0016	3	ISO Gnd		320-1689-07	1	45Amps
16			Washer, Flat Brass (1/4")				MDKBN
	526-0052	4	Neg Gnd		320-1689-08	1	50Amps
	526-0052	3	ISO Gnd		320-1689-09	1	55Amps
17	508-1105	1	Grommet, Remote				
18	517-0136	1	Plug, Hole				
19			Screw, Pan Head XREC (6-32 x .31)				
	815-0550-01	4	Single Phase				
	815-0550-01	6	Three Phase				

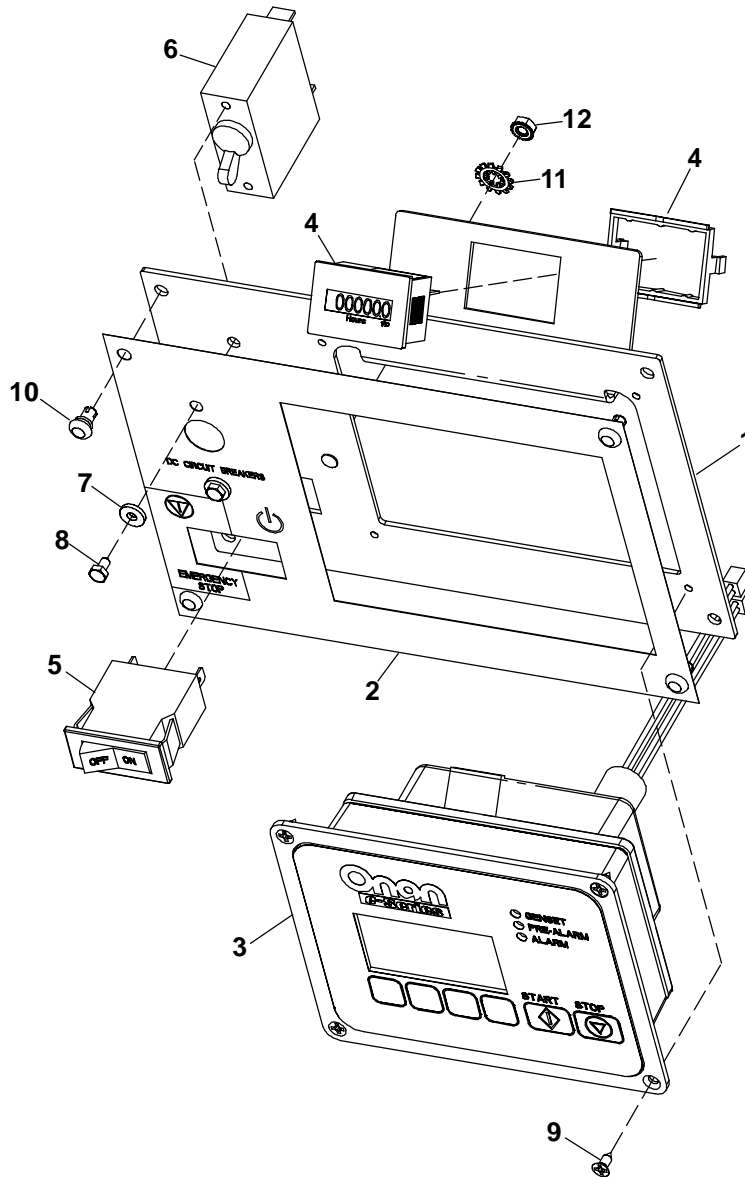
SmartCraft is a trademark of the Brunswick Corporation.

Control Panel Components



REF NO.	PART NO.	QTY. USED	PART DESCRIPTION	REF NO.	PART NO.	QTY. USED	PART DESCRIPTION
1			Assy Panel, Engine	8	307-2767	2	Relay (12V)
	300-5476-05	1	12V	9			Harness, Control
	300-5476-06	1	24V				N/A
2	300-5474	1	Assy Panel, Blank (Std)		338-4213-01	1	12V
3	818-1150-03	8	Rivet, Drive Plastic (Std)		338-4213-02	1	24V
4	300-5944-02	1	Assy Control (eSDD)				Non-NIM
			(See NIM Option Page)		338-4414-05	1	12V
5	800-6002	2	Screw, Hex Head Cap		338-4414-06	1	24V
			(M5 x .8 x 10mm)				NIM
			(NIM)		338-4414-03	1	12V
6	870-2062	2	Nut, Nylon Lock (M5)		338-4414-03	1	24V
			(NIM)	10			Relays
7	821-6001-03	2	Screw, Hex Head Sems		307-2767	1	12V
			(M5 x .8 x 16mm)		307-2819	1	24V
			(Non NIM)	11	323-1563	2	Contact, Relay

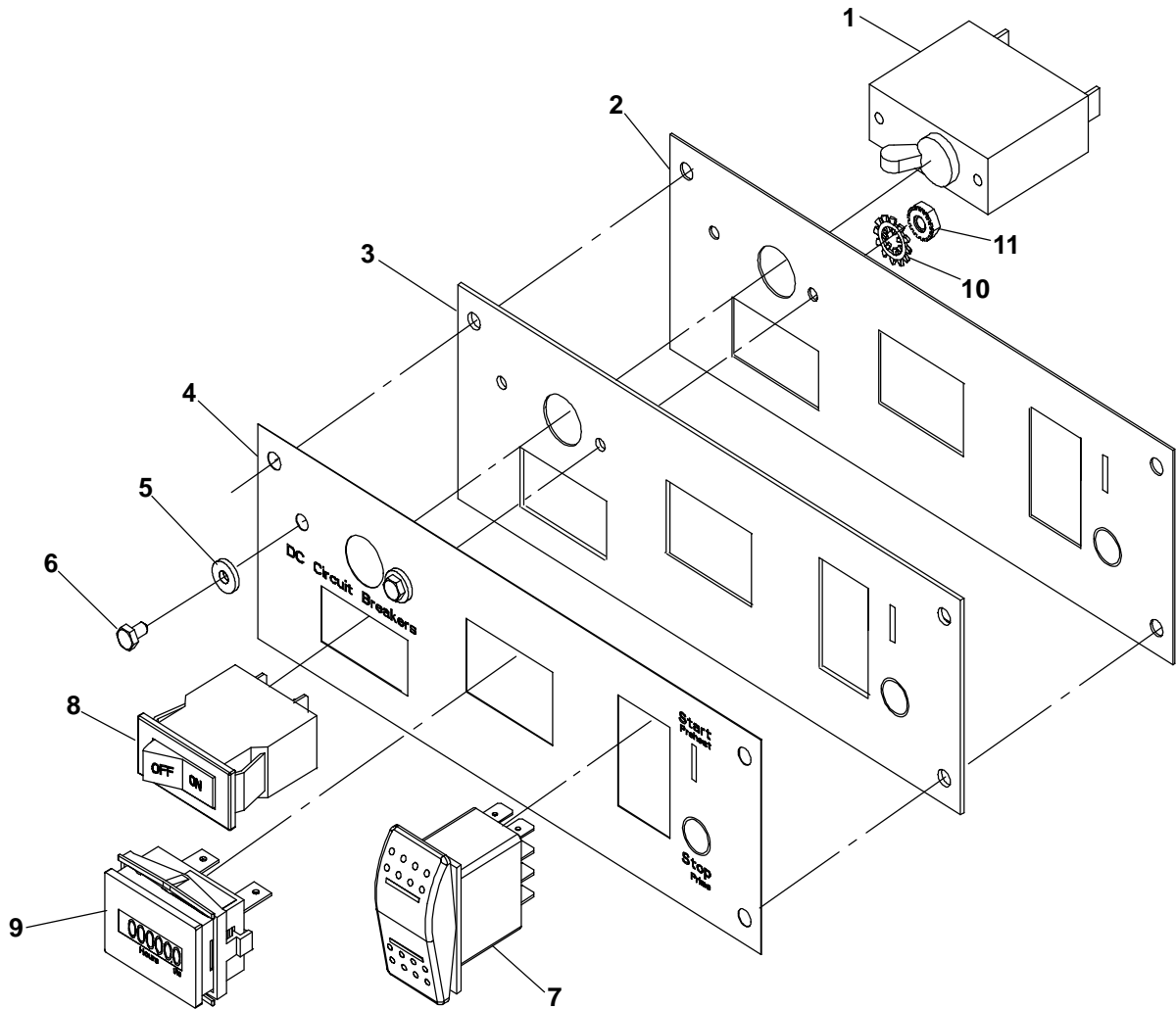
Control Panel Components (eSDD Display)



REF NO.	PART NO.	QTY. USED	PART DESCRIPTION	REF NO.	PART NO.	QTY. USED	PART DESCRIPTION
	300-5944-03	1	Kit, Control	9	814-2155-01	4	Screw, Flange Head XREC (M3.5 x 9.5mm)
1	319-5544-02	1	Panel, Display	10	818-1150-03	4	Rivet, Pop
2	98-8323	1	Label, Information	11	856-0003	1	Washer, ETIT Lock (#10")
3	300-5885	1	Controls	12	870-0131	1	Nut, Sems ET (#10-32")
4	302-2048	1	Hourmeter				
5	320-1140	1	Breaker, Circuit				
6	320-1862-01	1	Breaker, Circuit				
7	526-0399-05	2	Washer, Flat (#6)				
8	800-0309-10	2	Screw, Hex Head Mach (#6-32UNC-2A x .250")				

* - All Parts Included in Control Kit.

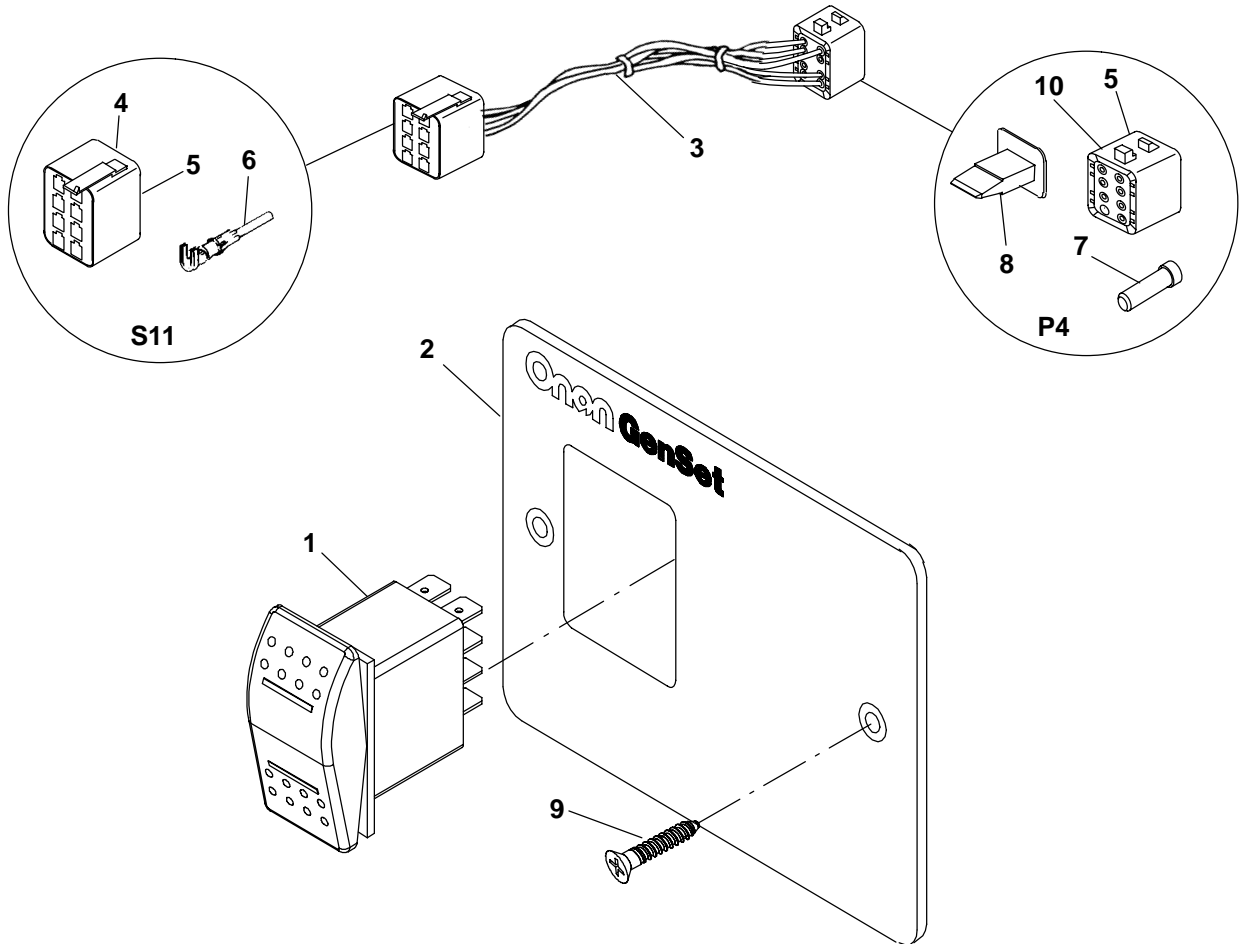
Control Panel Components (Breaker Switch Option)



REF NO.	PART NO.	QTY. USED	PART DESCRIPTION	REF NO.	PART NO.	QTY. USED	PART DESCRIPTION
1	320-1862-01	1	Breaker, Circuit (50 Amp)	8	320-1140	1	Breaker, Circuit (15 Amp)
2	319-4467-02	1	Panel, Control (Ground)	9	302-2048	1	Meter, Hour
3	319-4368-06	1	Panel, Control	10	856-0003	1	Washer, EIT Lock (#10)
4	98-7781	1	Label, Control	11	870-0131	1	Nut, Sems EIT
5	526-0399-05	2	Washer, Flat (#6)				
6	800-0309-10	2	Screw, Hex Head (6-32 x 1/4")				
7			Switch, Rocker SPDT				
	308-1102	1	24VDC				
	308-1101	1	12VDC				

* - See Control Box for Location.

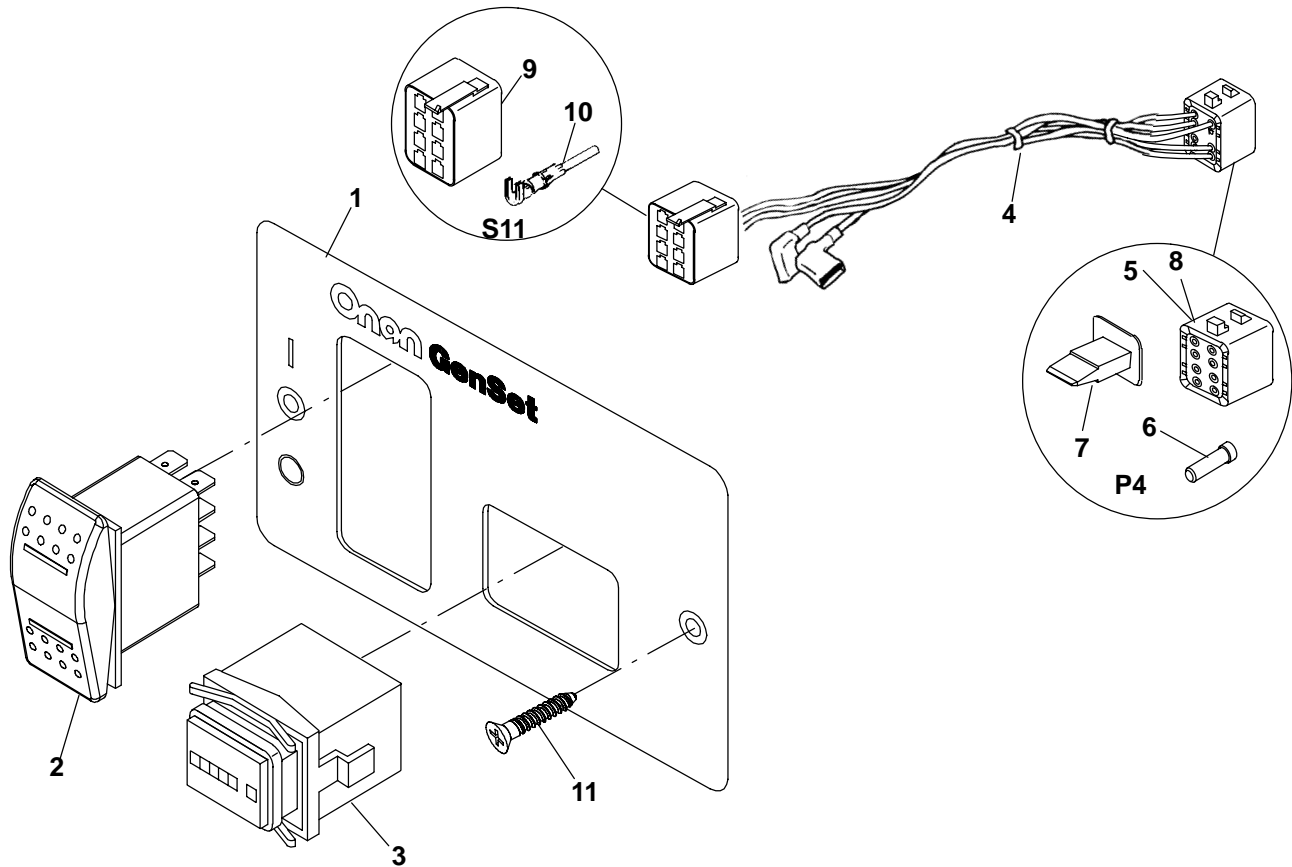
Remote Control Panel



REF NO.	PART NO.	QTY. USED	PART DESCRIPTION	REF NO.	PART NO.	QTY. USED	PART DESCRIPTION
			Kit, Panel Remote	3	338-3988	1	+Harness, Remote Panel (Includes Parts Marked *)
	300-5725-01	1	12V	4	308-1019	1	*Connector, Switch (S11)
	300-5725-02	1	24V	5	332-2890	6	*Terminal, Receptacle (.25")
	541-0941-01	1	Kit, Remote Switch Harness	6	323-1492	6	*Pin, Contact
			12V (Includes Parts Marked +)	7	323-1591	3	*Plug, Seal
	541-0941-02	1	Kit, Remote Switch Harness	8	323-1543	1	*Wedge, Plug (8 Pin)
			24V (Includes Parts Marked +)	9	815-0910	2	*Screw, Wood (#6 x 1)
1			+Switch, Rocker (S11)	10	98-7841	1	+Label, Indicator (Switch)
	308-1101	1	12V				
	308-1102	1	24V				
2	319-4996	1	Panel, Remote (Includes Printing)				

* - Parts Included in Remote Panel Harness.
+ - Parts Included in Remote Switch Harness.

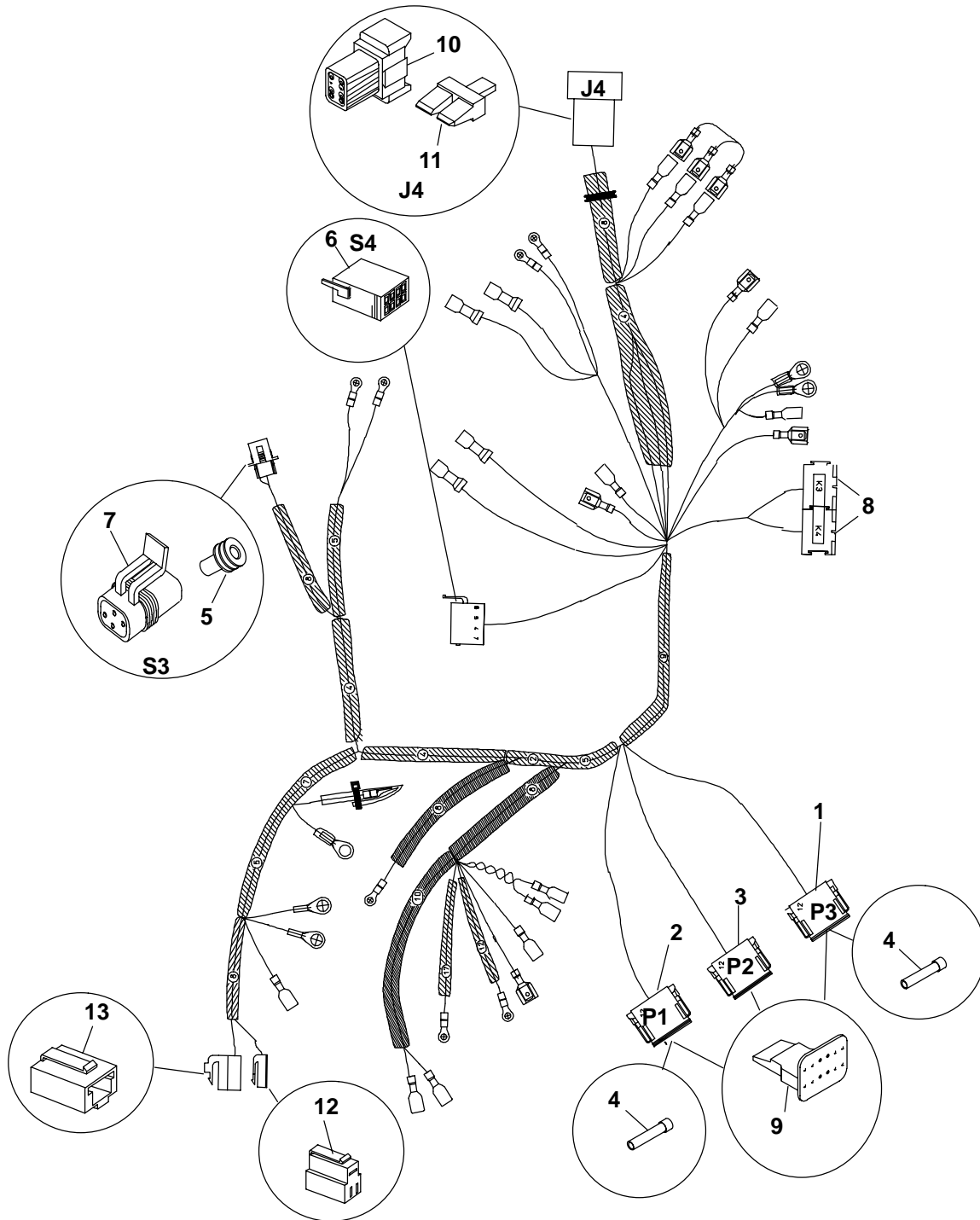
Remote Control Panel w/Hour Meter



REF NO.	PART NO.	QTY. USED	PART DESCRIPTION	REF NO.	PART NO.	QTY. USED	PART DESCRIPTION
			Kit, Remote Panel	6	323-1591	2	*Plug, Seal
	300-5727-01	1	12V	7	323-1543	1	*Wedge, Plug (8 Pin)
	300-5727-02	1	24V	8	323-1492	6	*Pin, Contact
1	319-4400	1	Panel, Remote Printed	9	308-1019	1	*Connector, Switch (S11)
2			Switch, Rocker (S11)	10	332-2890	6	*Terminal, Receptacle (.25")
	308-1101	1	12V	11	815-0910	2	Screw, Wood (#6 x 1)
	308-1102	1	24V	12	98-7841	1	Label, Panel (Remote)
3	302-2002	1	Meter, Hour (M11)				
4	338-3990	1	Harness, Remote Panel (Includes Parts Marked *)				
5	323-1541	1	*Plug (8 Pin) (P4)				

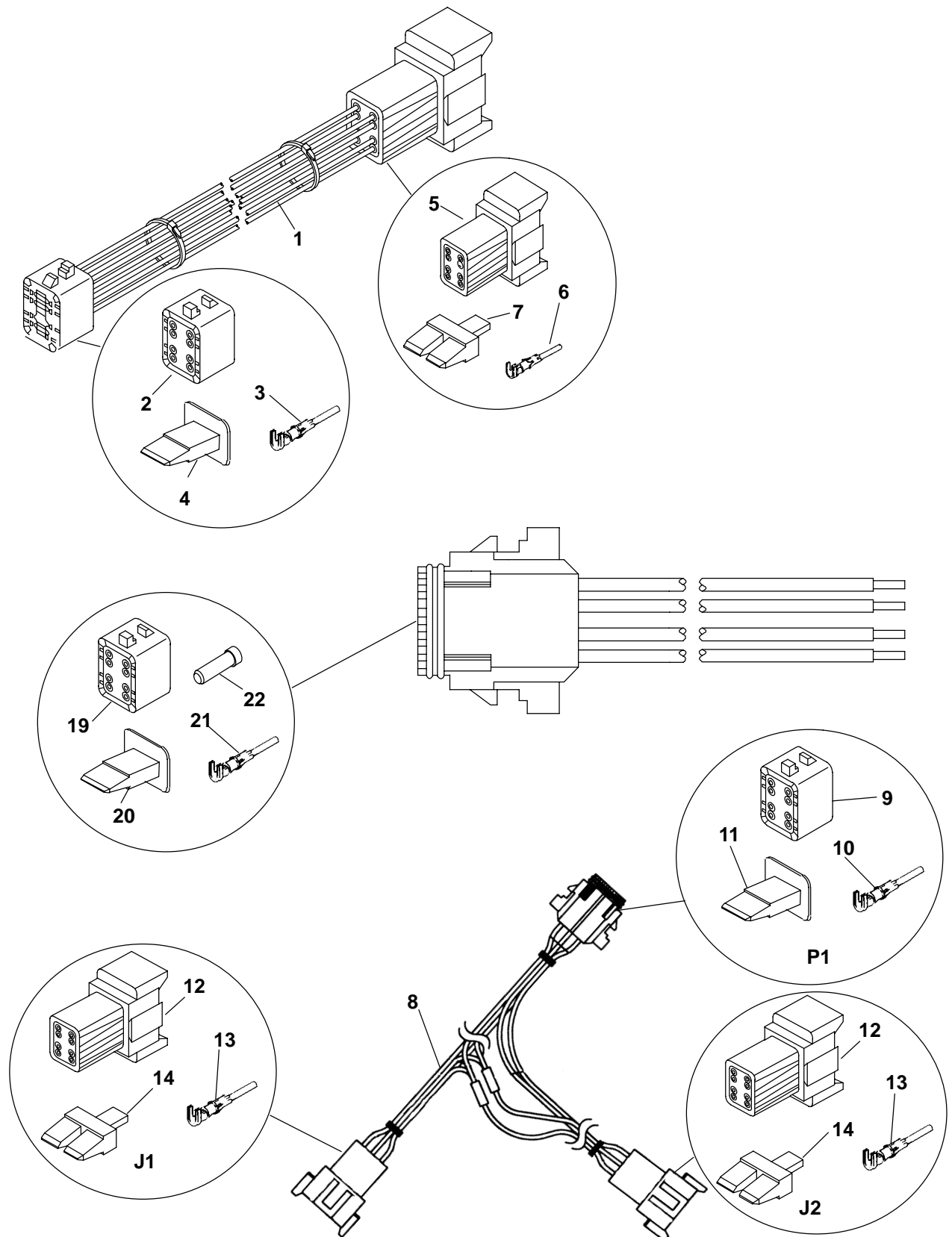
* - Parts Included in Remote Panel Wiring Harness.

Control Harness

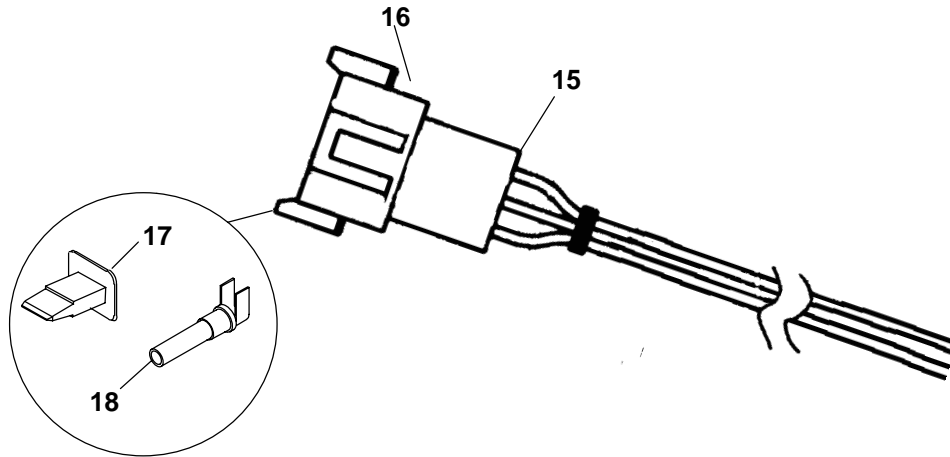


REF NO.	PART NO.	QTY. USED	PART DESCRIPTION	REF NO.	PART NO.	QTY. USED	PART DESCRIPTION
	338-4396	1	Harness, Control	7	323-1765	1	Connector, Housing 4 Pin (S3)
1	320-1582-06	1	Plug(12 Pin, Green P3)	8	323-1563	1	Socket, Relay
2	323-1582-05	1	Plug (12 Pin, Black P1)	9	323-1583	3	Plug, Wedge 12 Pin
3	323-1582-07	1	Plug (12 Pin, Gray P2)	10	323-1542	1	Connector, Receptacle 8 Pin
4	323-1591	AR	Plug (P1, P3)	11	323-1544	1	Receptacle, Wedge(J4)
5	323-1708	AR	Seal,Cable(S3)	12	323-1791	1	Connector, Plus 1 Pos
6	308-1019	1	Switch, Connector (S4)	13	323-1792	1	Connector, Plus 3 Pos

Wiring Harnesses



Wiring Harnesses



REF NO.	PART NO.	QTY. USED	PART DESCRIPTION	REF NO.	PART NO.	QTY. USED	PART DESCRIPTION
1			Harness, Remote Extension (Includes Parts Marked #)	13	323-1491	AR	@ Terminal, Pin
	338-3167	1	15 feet	14	323-1544	2	+Wedge, Lock, Receptacle (8 Pin)
	338-3168	1	25 feet	15	338-4017	1	Harness, Pigtail (Includes Parts Marked @)
	338-3169	1	45 feet	16	323-1542	1	@ Connector, Receptacle (8 Pin)
	338-3169-01	1	75 feet	17	323-1544	2	@ Wedge, Lock (8 Pin)
	338-3169-02	1	100 feet	18	323-1491	AR	@ Terminal, Pin
	338-3169-03	1	150 feet		338-4223	1	Harness, Remote Panel
2	323-1541	1	#Plug (8 Pin)	19	323-1541	1	Plug (8 Pin)
3	323-1492	8	#Terminal, Socket	20	323-1543	1	Wedge, Plug (8Pin)
4	323-1543	1	#Wedge, Plug (8 Pin)	21	323-1492	AR	Terminal, Socket
5	323-1542	1	#Receptacle, (8 Pin)	22	323-1591	AR	Plug, Seal
6	323-1491	8	#Terminal, Pin				
7	323-1544	1	#Wedge, Receptacle (8 Pin)				
8	338-4016	1	Harness, Junction (Includes Parts Marked +)				
9	323-1541	1	±°Plug, Connector (8 Pin)				
10	323-1492	AR	±°Terminal, Socket				
11	323-1543	1	±°Wedge, Plug (8 Pin)				
12	323-1542	2	+Connector, Receptacle (8 Pin)				

- Parts Included in Remote Extension Harness.
 * - Parts Included in Custom Pigtail Harness.
 ° - Parts Included in Adapter Harness.
 .+ - Parts Included in Junction Harness.
 .@ - Parts Included in Pigtail Harness.

Labels / Kits

REF NO.	PART NO.	QTY. USED	PART DESCRIPTION	REF NO.	PART NO.	QTY. USED	PART DESCRIPTION
98-2235-02		1	Label, Ground	98-7995-01		1	Label, Information (PTO)
98-4798-01		1	Label, Warning (Unhoused Sets)	98-7977		1	Label, Information (Front)
98-5161		1	Label, Coolant (Housed Sets)	98-7976		1	Label, Information (Front)
98-5347		1	Label, Danger (High Voltage)	98-7975		1	Label, Information
			Label, Warning	98-7963		1	Label, Information (No Step)
98-5755		1	Label, Warning (Hazardous Voltage)	98-7857		1	Label, Connector
			Label, Warning (Operation, Maintenance and Service)	98-7856		1	Label, Connector
98-6074-02		1	Label, Warning (Exposed Belts)	100-3478-02		1	Kit, Cruise Includes All of The Following Items:
98-6995		4	Label, Warning (Housed Sets)	149-2106		2	Filter, Fuel
98-6997		1	Label, Lifting Eye (Housed Sets)	185-5835		2	Filter, Oil
98-7783		1	Label, Warning	132-0379		2	Kit Pump, Service
98-7850		1	Label (Onan e-QD)	511-0211		2	Belt
98-7856		1	Label Connection (Rear Un-Housed)	130-4434		2	Pencil, Zinc
			Label Connection (Rear Housed)	417-0223		2	Box, Cruise Kits
98-7857		1	Label, Warning (Coolant)				
98-8067		1	Label, Information (No Step)				
98-8298		1	Label, Information (No Step)				
98-8355		1	Label, Information (Service)				
98-8357		1	Label, Information (WD-Reconnection)				

Bulkhead Connector Labels

98-7984-02		1	Label, Information (PTO)
98-7985-02		1	Label, Information (PTO)
98-7984-01		1	Label, Information (PTO)

Numerical Index

<u>Part No.</u>	<u>Page</u>	<u>Part No.</u>	<u>Page</u>	<u>Part No.</u>	<u>Page</u>	<u>Part No.</u>	<u>Page</u>
098-2235-02,	76	130-5176,	43	149-2235,	37	185-2188,	7, 22
098-4798-01,	76	130-5387-01,	45	149-2331-01,	37	185-2233,	7
098-5161,	76	130-5448-01,	56	149-2599,	37	185-2284,	17, 23
098-5347,	76	130-5448-02,	56	149-2601,	37	185-2291,	29
098-5755,	76	132-0358,	45, 46	149-2612,	37	185-2338,	7
098-6074-02,	76	132-0360,	46	149-2618-04,	37	185-2343,	50
098-6995,	76	132-0361,	46	149-2654,	37	185-2345,	23
098-6997,	76	132-0362,	46	149-2655,	37	185-2347,	16
098-7781,	70	132-0363,	46	154-3020-01,	53	185-2349,	29, 30
098-7783,	76	132-0364,	46	154-3060,	53	185-2359,	16, 30
098-7841,	71, 72	132-0365,	46	155-1002,	38	185-2384,	29
098-7850,	76	132-0366,	46	155-2029,	38	185-2385,	23
098-8323,	69	132-0367,	46	155-2030,	38	185-2386,	15, 50
100-3478-02,	76	132-0368,	46	155-2033,	53	185-2387,	9, 18
100-3810-01,	7	132-0369,	46	155-2666-01,	53	185-2388,	9, 16, 28, 32, 33
100-3810-02,	7	132-0370,	46	155-3146,	53	185-2389,	15, 50, 51
100-3811-01,	7	132-0371,	46	155-3199,	7	185-2390,	14
100-3811-02,	7	132-0372,	46	155-3216,	38	185-2391,	14
100-3812-01,	7	132-0373,	46	155-3217,	38	185-2411,	22
100-3812-02,	7	132-0374,	46	155-3218,	38	185-2412,	7
102-1485,	49	132-0375,	46	155-3233,	53	185-2413,	22
110-3827,	27	132-0376,	46	155-3240,	53	185-2564,	11, 32, 33
120-1332-02,	49	132-0377,	46	155-3256,	53	185-2572,	32, 33
130-2333,	53	132-0378,	46	155-3261-02,	53	185-2578,	19
130-3571,	48	132-0379,	46, 76	155-3522,	53	185-2658,	12
130-3572,	48	132-0380,	46	155-3533,	53	185-3078,	50
130-3573,	48	140-2898,	51	184-0071,	41	185-3080,	30
130-3574,	48	140-3078,	51	184-0072,	7	185-3093,	15
130-3721,	53	149-1908-05,	39, 40	185-2072,	27	185-4255,	16, 19, 30
130-4434,	43, 76	149-1914-01,	40	185-2076,	27	185-5337,	23
130-4739-03,	43	149-1949,	40	185-2080,	27	185-5407,	29, 30
130-4740-02,	43	149-1952,	40	185-2095,	7, 22	185-5421,	23
130-4830,	51	149-1953,	40	185-2096,	50	185-5445,	32, 33
130-4847-03,	57	149-2041-03,	39	185-2102,	7	185-5478,	50
130-4869-03,	57	149-2045,	40	185-2115,	7	185-5484,	7
130-4870,	57	149-2046,	40	185-2124,	30	185-5486,	7
130-4945-03,	57	149-2047,	40	185-2170,	11	185-5487,	7
130-4985-03,	43	149-2073,	39	185-2178,	11	185-5490,	7
130-5169,	43	149-2100,	37	185-2179,	27	185-5495,	49
130-5170,	43	149-2106,	37, 76	185-2184,	27		

Numerical Index

<u>Part No.</u>	<u>Page</u>	<u>Part No.</u>	<u>Page</u>	<u>Part No.</u>	<u>Page</u>	<u>Part No.</u>	<u>Page</u>
185-5502,	22	185-5798,	19	185-6479,	22	185-6530,	10
185-5558,	9	185-5820,	21	185-6480,	30	185-6531,	10
185-5560,	9	185-5826,	28, 50	185-6481,	30	185-6532,	10
185-5612,	23	185-5833,	30	185-6482,	30	185-6533,	10
185-5615,	23	185-5835,	30, 76	185-6483,	30	185-6534,	10
185-5623,	19	185-5843,	7	185-6484,	30	185-6535,	10
185-5624,	19	185-5845,	7	185-6485,	30	185-6536,	10
185-5625,	19	185-5869,	30	185-6486,	30	185-6537,	10
185-5639,	21	185-5924,	8	185-6487,	30	185-6538,	10
185-5640,	21	185-5938,	8	185-6490,	30	185-6540,	8
185-5641,	21	185-5941,	8	185-6491,	30	185-6541,	8
185-5643,	21	185-5942,	8	185-6492,	30	185-6542,	8
185-5644,	21	185-5943,	8	185-6493,	30	185-6543,	8
185-5645,	21	185-5959,	15, 18	185-6494,	30	185-6544,	8
185-5646,	21	185-5960,	15, 18	185-6497,	29	185-6545,	8
185-5647,	21	185-5985,	23	185-6498,	29	185-6546,	8
185-5649,	21	185-6004,	28	185-6499,	29	185-6547,	8
185-5650,	21	185-6005,	28	185-6500,	29	185-6548,	8
185-5652,	21	185-6039,	7	185-6501,	29	185-6549,	8
185-5653,	21	185-6040,	7	185-6503,	29	185-6550,	8
185-5654,	21	185-6121,	7	185-6506,	14	185-6551,	8
185-5655,	21	185-6163,	18	185-6507,	14	185-6552,	8
185-5658,	21	185-6354,	13	185-6509,	14	185-6553,	8
185-5659,	21	185-6358,	13	185-6510,	14	185-6554,	8
185-5661,	21	185-6362,	13	185-6512,	14	185-6555,	8
185-5662,	21	185-6365,	13	185-6513,	14	185-6556,	8
185-5663,	21	185-6386,	12	185-6514,	14	185-6558,	15
185-5684,	17	185-6394,	29	185-6515,	14	185-6560,	15
185-5685,	17	185-6409,	11	185-6516,	9	185-6561,	15
185-5714,	31	185-6441,	13	185-6517,	9	185-6562,	15
185-5719,	31	185-6442,	13	185-6518,	9	185-6563,	15
185-5741,	30	185-6445,	28	185-6519,	9	185-6564,	15
185-5742,	30	185-6468,	7	185-6520,	9	185-6565,	15
185-5743,	30	185-6469,	7	185-6521,	9	185-6566,	15
185-5745,	31	185-6471,	7	185-6522,	9	185-6567,	15
185-5771,	35	185-6472,	7	185-6523,	9	185-6568,	15
185-5777,	35	185-6475,	22	185-6524,	9	185-6569,	15
185-5782,	35	185-6476,	22	185-6525,	9	185-6570,	15
185-5783,	35	185-6477,	22	185-6526,	9	185-6571,	15
185-5784,	35	185-6478,	22	185-6529,	10	185-6572,	15

Numerical Index

<u>Part No.</u>	<u>Page</u>	<u>Part No.</u>	<u>Page</u>	<u>Part No.</u>	<u>Page</u>	<u>Part No.</u>	<u>Page</u>
185-6573,	15	185-6688,	27	185-6868,	29	185-6922,	28
185-6574,	17	185-6689,	27	185-6869,	14	185-6923,	27
185-6575,	17	185-6690,	27	185-6871,	14	185-6925,	53
185-6577,	17	185-6691,	27	185-6873,	9	185-6926,	51
185-6579,	45	185-6692,	27	185-6875,	15	185-6927,	51
185-6580,	19	185-6693,	27	185-6876,	15	185-6930,	17
185-6584,	19	185-6694,	27	185-6877,	15	185-6931,	17
185-6585,	19	185-6695,	27	185-6878,	15	185-6932,	17
185-6586,	19	185-6699,	53	185-6879,	15	185-6933,	32, 33
185-6588,	21	185-6700,	51	185-6880,	15	185-6934,	32, 33
185-6589,	21	185-6701,	51	185-6881,	17	185-7004,	23
185-6598,	18	185-6707,	21	185-6882,	19, 21	185-7069,	30, 51
185-6599,	18	185-6721,	29	185-6884,	21	185-7082,	23
185-6600,	18	185-6739,	19	185-6885,	21	185-7103,	7
185-6601,	18	185-6740,	23, 25	185-6886,	21	185-7104,	11, 12
185-6602,	18	185-6741,	15	185-6887,	21	185-7105,	11, 13
185-6603,	18	185-6742,	19	185-6888,	21	185-7106,	23
185-6604,	18	185-6743,	19	185-6889,	7	185-7107,	23
185-6605,	18	185-6745,	10	185-6891,	18	185-7110,	53, 53
185-6614,	16	185-6746,	10	185-6894,	16	185-7212,	7
185-6615,	16	185-6747,	22	185-6899,	23	185-7213,	50
185-6621,	23	185-6748,	19, 21	185-6900,	25	185-7215,	50
185-6624,	23	185-6749,	19	185-6901,	25	185-7216,	30
185-6630,	33	185-6750,	23	185-6902,	25	185-7217,	11
185-6631,	32, 33	185-6751,	23	185-6903,	25	185-7218,	11
185-6633,	32, 33	185-6759,	16, 19, 30	185-6904,	25	185-7219,	11
185-6665,	28, 30	185-6762,	50	185-6905,	25	185-7221,	11
185-6666,	28	185-6781,	28	185-6906,	25	185-7222,	11
185-6667,	28	185-6785,	32, 33	185-6907,	25	185-7225,	33, 35
185-6671,	31	185-6786,	32, 33	185-6908,	25	185-7226,	33
185-6672,	31	185-6816,	35	185-6909,	25	185-7227,	33
185-6673,	31	185-6820,	35	185-6910,	25	185-7228,	35
185-6674,	31	185-6845,	19	185-6911,	25	185-7229,	35
185-6677,	31, 51	185-6853,	53	185-6912,	25	185-7230,	12
185-6681,	27	185-6854,	53	185-6913,	25	185-7231,	12
185-6682,	27	185-6856,	7	185-6914,	25	185-7232,	12
185-6683,	27	185-6857,	7	185-6915,	25	185-7233,	12
185-6685,	27	185-6863,	30	185-6916,	25	185-7234,	12
185-6686,	27	185-6864,	30	185-6917,	25	185-7235,	12
185-6687,	27	185-6867,	29	185-6918,	25	185-7236,	12

Numerical Index

<u>Part No.</u>	<u>Page</u>	<u>Part No.</u>	<u>Page</u>	<u>Part No.</u>	<u>Page</u>	<u>Part No.</u>	<u>Page</u>
185-7237,	13	185-7373,	22	304-0797,	37	323-1583,	73
185-7238,	13	185-7374,	22	304-0831-03,	37	323-1591,	71, 72, 73, 75
185-7239,	13	185-7375,	22	306-5006-01,	41	323-1708,	73
185-7240,	13	185-7376,	8	306-5006-02,	41	323-1765,	73
185-7245,	7	185-7377,	18	307-1617,	55	323-1791,	73
185-7246,	50	185-7378,	18	307-2656,	55	323-1792,	73
185-7249,	8	185-6866,	7	307-2767,	68	327-1444-01,	67
185-7250,	11	191-2252,	13	307-2819,	68	327-1444-02,	67
185-7251,	21	191-2275-02,	11	308-1019,	71, 72, 73	332-0142,	59
185-7252,	18	193-0244,	49	308-1101,	70, 71, 72	332-1554,	59
185-7253,	18	193-0318,	28	308-1102,	70, 71, 72	332-2112,	59
185-7254,	18	193-0430-01,	49	309-0295-01,	53	332-2112-01,	59
185-7255,	18	193-0457-01,	28	309-0667,	45	332-2370,	67
185-7256,	16	201-3515-02,	64	319-4368-06,	70	332-2890,	71, 72
185-7259,	16	201-3565-01,	64	319-4370-03,	67	332-3408,	59
185-7260,	16	201-3565-03,	64	319-4400,	72	332-3750,	67
185-7265,	23	205-0255,	64	319-4404,	67	332-3771,	59
185-7266,	23	211-0435-01,	64	319-4467-02,	70	333-0662-02,	55
185-7268,	23	220-4413-02,	64	319-4996,	71	337-0081,	51
185-7269,	32	220-4600-01,	64	319-5503-03,	67	337-2795,	67
185-7270,	32	220-4600-03,	64	319-5544-02,	69	337-3507,	51
185-7271,	32	232-2826,	64	320-1140,	69, 70	337-3508,	67
185-7272,	32	234-0989,	64	320-1582-06,	73	338-3167,	75
185-7273,	32, 33	300-4686-01,	53	320-1689-04,	67	338-3168,	75
185-7296,	13	300-5040,	28	320-1689-05,	67	338-3169,	75
185-7297,	28	300-5041,	28	320-1689-06,	67	338-3169-01,	75
185-7298,	28	300-5474,	68	320-1689-07,	67	338-3169-02,	75
185-7299,	31	300-5476-07,	68	320-1689-08,	67	338-3169-03,	75
185-7300,	27	300-5476-08,	68	320-1689-09,	67	338-3577,	59
185-7302,	7	300-5725-01,	71	320-1689-12,	67	338-3988,	71
185-7303,	22	300-5725-02,	71	320-1862-01,	69, 70	338-3990,	72
185-7304,	22	300-5727-01,	72	323-1491,	75	338-4016,	75
185-7305,	14	300-5727-02,	72	323-1492,	71, 72, 75	338-4017,	75
185-7306,	14	300-5885,	69	323-1541,	72, 75	338-4159,	55
185-7308,	10	300-5944-02,	68	323-1542,	73, 75	338-4200-02,	55
185-7309,	10	300-5944-03,	69	323-1543,	71, 72, 75	338-4213-01,	68
185-7310,	10	300-5966,	65	323-1544,	73, 75	338-4213-02,	68
185-7311,	10	302-2002,	72	323-1563,	68, 73	338-4223,	75
185-7312,	8	302-2048,	69, 70	323-1582-05,	73	338-4396,	73
185-7372,	7	304-0796,	37	323-1582-07,	73	338-4414-03,	68

Numerical Index

<u>Part No.</u>	<u>Page</u>	<u>Part No.</u>	<u>Page</u>	<u>Part No.</u>	<u>Page</u>	<u>Part No.</u>	<u>Page</u>
338-4414-05,	68	405-6960,	63	503-1320,	53	517-0138-07,	63
338-4414-06,	68	405-6961-01,	63	503-1353,	53	517-0138-09,	63
338-4491,	67	405-6961-02,	63	503-1527,	53	518-0515,	37
402-0681-01,	58	406-0958,	62	503-1692,	48	518-0548-05,	45
402-0728-00,	56	406-1032,	63	503-1963-04,	53	518-0548-42,	56
402-0728-02,	56	417-0223,	76	503-1963-05,	53	520-1002-06,	64
403-4168-04,	56	501-0624,	49	503-2046,	53	520-1004-02,	64
403-4284-04,	22	501-0672-01,	37	503-2070,	29	526-0003,	53
403-4406-03,	56	501-0672-02,	37	503-2087,	29	526-0030,	56
403-4406-04,	56	501-0709,	37	503-2089-02,	45	526-0052,	59, 67
405-4445-03,	63	501-0710,	37	503-2195,	45	526-0054,	59
405-6340,	61	501-0712-01,	45	503-2196,	45	526-0063,	41
405-6491-03,	58	501-0712-02,	45	503-2197,	45	526-0325,	56
405-6492-03,	59	502-0003,	37	503-2202-01,	51	526-0399-05,	69, 70
405-6513-03,	63	502-0020,	39	503-2207,	45	526-0399-11,	64
405-6515-03,	63	502-0020-01,	37	503-2230,	45	526-0399-13,	67
405-6516-02,	56	502-0028,	37	503-2249,	53	526-0399-41,	64
405-6517-03,	60	502-0029,	37, 39	503-2309,	47	526-0399-42,	64
405-6518-02,	56	502-0041,	37	503-2352,	47	526-0399-58,	55
405-6519-03,	62	502-0055,	37	504-0223,	47	526-0399-60,	22
405-6520-03,	58	502-0065,	37	505-0395,	49	526-0399-62,	56
405-6521-03,	63	502-0153,	40, 53	505-1485,	37	526-0406,	37
405-6522-03,	65	502-0263,	49	505-1489,	37	526-2050,	51, 65
405-6523-03,	63	502-0820,	53	505-1490,	37	526-2081,	59
405-6524-03,	61	502-1123,	49	508-0021,	63	526-2083,	59
405-6682,	58	502-1162,	37	508-0115,	53, 59	526-2291,	51
405-6683,	59	502-1180,	49	508-0183,	64	541-0588,	61
405-6684,	58	502-1218,	37	508-0210,	43	541-0589,	61
405-6685,	58	502-1245,	37	508-1102,	47, 59	541-0590,	57
405-6686,	58	502-1354,	45	508-1105,	67	541-0823,	55
405-6687,	62	502-1425-02,	47	508-1105-01,	67	541-0824,	55
405-6688,	61	502-1463,	47	508-1126,	60	541-0863-01,	47
405-6689,	58	503-0976,	29	508-1152,	58	541-0941-01,	71
405-6700,	63	503-0977,	47	509-0094,	64	541-0941-02,	71
405-6709,	61	503-1136,	45	509-0351,	43	725-1027,	41
405-6797,	62	503-1137,	45, 53	510-0112,	64	800-0309-10,	69, 70
405-6811,	63	503-1138,	51	510-0163,	15	800-0310-01,	67
405-6957,	62	503-1139,	38	511-0211,	76	800-0317,	43
405-6958,	63	503-1141,	51	517-0136,	67	800-0573,	56
405-6959,	61	503-1142,	38, 53	517-0138-04,	63	800-2054,	64

Numerical Index

<u>Part No.</u>	<u>Page</u>	<u>Part No.</u>	<u>Page</u>	<u>Part No.</u>	<u>Page</u>	<u>Part No.</u>	<u>Page</u>
800-3017-02,	57	853-0016,	55, 67	98-8357,	76		
800-3017-18,	22, 67	853-2006,	58, 59, 63				
800-3017-19,	37, 45	853-2006-54,	65				
800-3017-21,	53	856-0002,	51				
800-3017-22,	45	856-0003,	37, 51, 58, 69,				
800-3024,	65	70					
800-3025,	55	856-0006,	51, 59, 67				
800-3030,	37, 56	856-0008,	67				
800-3042,	51	860-2036,	59				
800-6002,	67, 68	860-2057,	59, 60, 63				
800-6033,	63, 65	860-2058,	67				
800-6062,	67	862-0015,	59				
810-0155,	51, 59, 67	862-0026-07,	64				
813-0100,	58	862-0026-30,	55				
813-0112,	37	862-0026-54,	43, 55, 56				
814-2155-01,	69	862-0026-55,	37, 45				
815-0181,	64	870-0131,	58, 69, 70				
815-0194,	11	870-0131-01,	55, 64				
815-0550-01,	67	870-0550-09,	56				
815-0843,	64	870-2062,	67, 68				
815-0862,	53	870-2228,	67				
815-0910,	71, 72	871-0016,	51, 59, 67				
815-0916,	53	871-0025,	59				
815-0917-04,	64	895-0381,	60				
818-0231-01,	56, 58, 63	895-0395,	62				
818-0239-03,	61	895-0402,	58				
818-1150-03,	68, 69	98-7856,	76				
821-0009,	67	98-7857,	76				
821-6001-03,	51, 68	98-7871,	76				
821-6002-02,	37, 43, 51,	98-7963,	76				
57		98-7975,	76				
821-6003-01,	56	98-7976,	76				
821-6006-01,	56, 58, 59,	98-7977,	76				
60, 61, 63, 67		98-7984-01,	76				
850-0114-53,	43, 55, 56,	98-7984-02,	76				
57		98-7985-02,	76				
850-0114-54,	37, 45, 53	98-7995-01,	76				
850-0114-55,	37	98-8067,	76				
850-2056,	63	98-8298,	76				
850-2058,	67	98-8355,	76				
853-0013,	64						