

# Turbine Series - 500FG

# FUEL

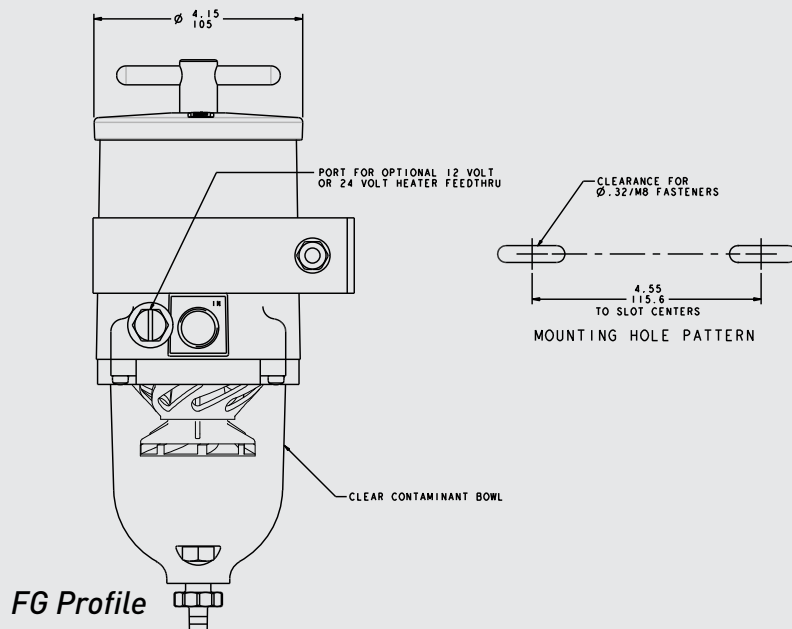
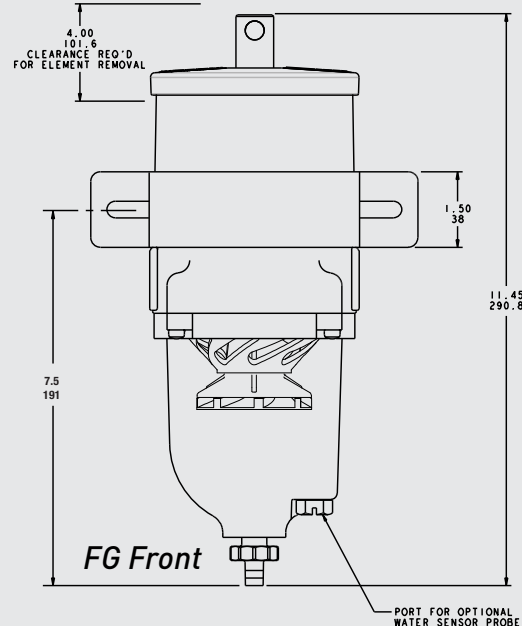
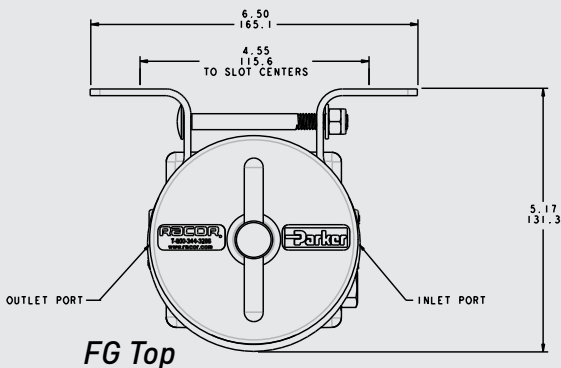
## Specifications:

**Height:** 11.45" (29.08 cm)  
**Width:** 4.15" (10.5 cm)  
 with Bracket 6.5" (16.51 cm)  
**Depth:** 4.15" (10.5 cm)  
 with Bracket 5.17" (13.13 cm)  
**Weight:** 4.0 lbs (1.8 kg)  
**Ports:** 3/4"-16 UNF (SAE J1926)  
**Service Clearance (Top):** 4.0" (10.16 cm)  
**Vacuum Installation Recommended**  
**Maximum Pressure:** 15 psi (1.03 bar)  
**Max Flow Rate:** 60 gph (227 lph)

## Create a Part Number

Housing Type	Heater Option	Filteration Rating
Turbine Model Standard 3/4"-16 Ports	12 VDC Heater (100 watt) 24 VDC Heater (100 watt)	2 micron 10 micron 30 micron
500FG	12 24	2 10 30

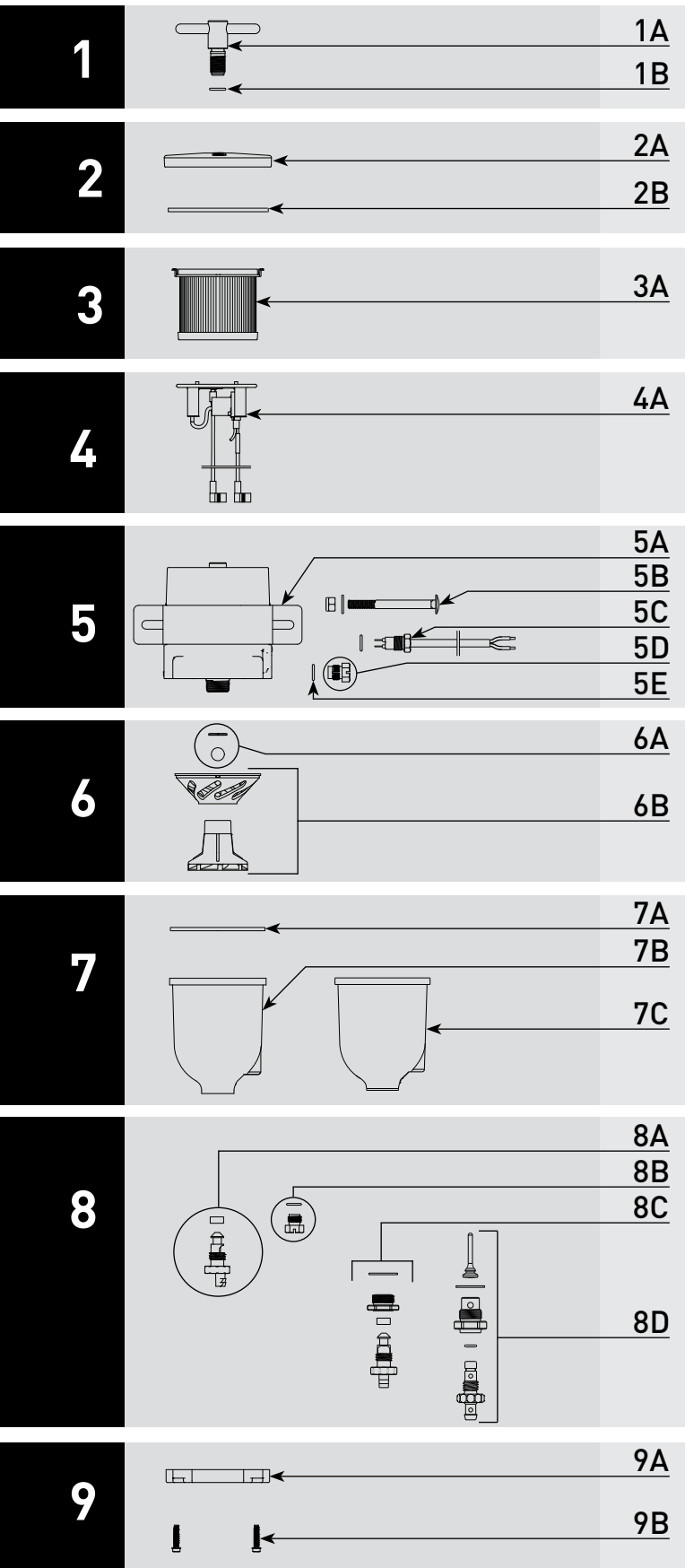
## Dimensions:



ASSEMBLY	DESCRIPTION
500FG2	500 Turbine Assy., 2 micron Filter
500FG10	500 Turbine Assy., 10 micron Filter
500FG30	500 Turbine Assy., 30 micron Filter
500FG122	500 Turbine Assy., 12VDC Heater, 2 micron Filter
500FG1210	500 Turbine Assy., 12VDC Heater, 10 micron Filter
500FG1230	500 Turbine Assy., 12VDC Heater, 30 micron Filter
500FG242	500 Turbine Assy., 24VDC Heater, 2 micron Filter
500FG2410	500 Turbine Assy., 24VDC Heater, 10 micron Filter
500FG2430	500 Turbine Assy., 24VDC Heater, 30 micron Filter



# PARTS



Part #		Description
1A	RK 11-1945	T-handle Kit - <b>Includes 1B and 2B</b>
	RK11350	T-handle O-ring
2A	RK 15078	500FG Lid Kit - <b>Includes 1B and 2B</b>
2B		Lid Gasket - <b>Included in 10A</b>
3A	2010SM-OR	Replacement Element 2 micron - <b>Includes 1B and 2B</b>
	2010TM-OR	Replacement Element 10 micron - <b>Includes 1B and 2B</b>
	2010PM-OR	Replacement Element 30 micron - <b>Includes 1B and 2B</b>
4A	RK15438-01	Heater Kit - 12 vdc, 100 watt - <i>Use with 10E</i>
	RK15438-02	Heater Kit - 24 vdc, 100 watt - <i>Use with 10F</i>
	RK15440-01	Heater Kit - 12 vdc, 100 watt - <b>Includes 5C</b> - <i>Use with 10E</i>
	RK15440-02	Heater Kit - 24 vdc, 100 watt - <b>Includes 5C</b> - <i>Use with 10F</i>
5A	RK 15378	Clamp Bracket
5B	RK 11838	Carriage Bolt Kit - <b>Includes (2) Bolt, (2) Washer, and (2) Nut</b>
5C	RK 21067	Heater Feed-thru Kit - <b>Includes 5E</b>
5D	RK 11-1679	Feed-thru Plug Kit - <b>Includes 5E</b>
5E		Feed-thru or Plug O-ring - <b>Included in 10A</b>
6A	RK 15010B	Checkball and Gasket Kit
6B	RK 15013D	Centrifuge and Baffle Kit - <b>Includes 6A</b>
7A		Bowl Gasket - <b>Included in 10A</b>
7B	RK15405	Bowl Kit (2002 to Present) - <b>Includes 7A, 8A and 8B</b> <b>**Bowl has 5/8"-11 drain port</b>
7C	RK 15279-01	Bowl Kit (Before 2002) - <b>Includes 7A and 8B</b> <b>**Bowl has 7/8"-14 drain port</b>
8A	RK 30476	Self-venting Drain Kit (2002 to Present - <i>Use with 7B</i> )
8B	RK 20126	Bowl Plug Kit
8C	RK 30488	Self-venting Drain Kit (1993-2002 - <i>Use with 7C</i> )
8D	RK 11780	Drain Assembly Kit ( <i>Pre-1993 - Use with 7C</i> )
9A	RK 15035	Bowl Ring Kit
9B	RK 15081	Bowl Fasteners ( <b>set of 4</b> )
<b>Accessories and Parts Available (Not Shown)</b>		
10A	RK 15211	<b>Complete Seal Service Kit</b> - 500 Series Filters
10B	RK23284	Stainless Steel T-handle Vacuum Gauge
10C	RK33803	WIF Probe Kit - 1/2"-20 UNF
10D	RK 30880E	WIF Sensor and Light Kit - 1/2"-20 UNF
10E	RK 14329	Water Detection Module - 12 vdc
	RK 14321	Water Detection Module - 24 vdc
10F	RK 11861	Heater Relay Kit - 12 vdc
10G	RK 11862	Heater Relay Kit - 24 vdc