

# Turbine Series - 771000FH

# FUEL

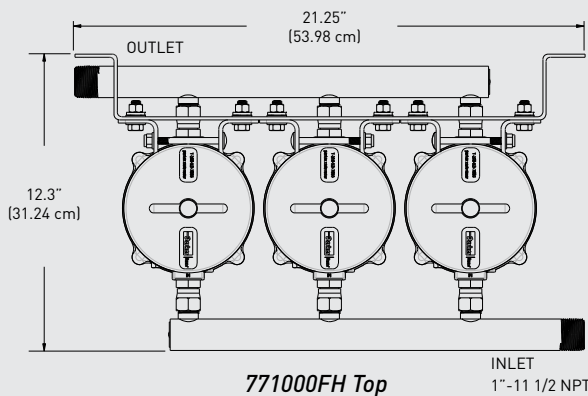
## Specifications:

- Height: 22.0" (55.88 cm)
- Width: 21.25" (53.98 cm) with Bracket
- Depth: 12.3" (31.24 cm) with Bracket
- Weight: 39.0 lbs (17.7 kg)
- Ports: 1"-11 1/2 NPT
- Service Clearance (Top): 10.0" (25.4 cm)
- Vacuum Installation Recommended
- Maximum Pressure: 15 psi (1.03 bar)
- Max Flow Rate: 540 gph (2044 lph)

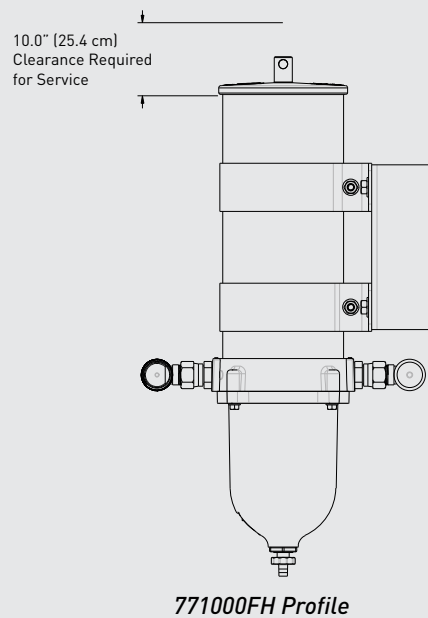
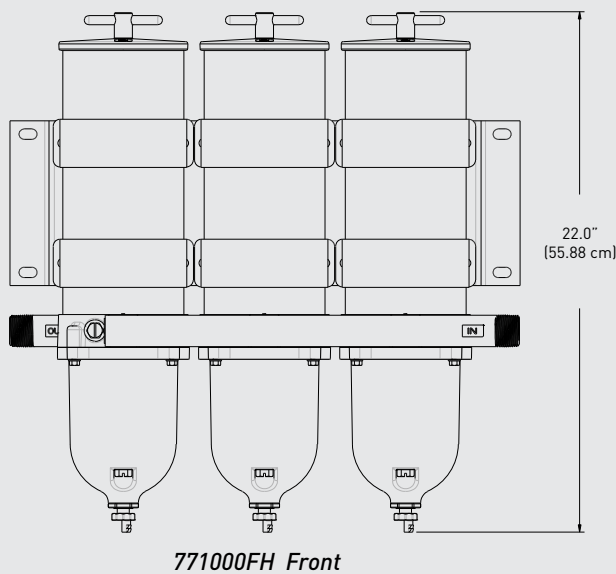
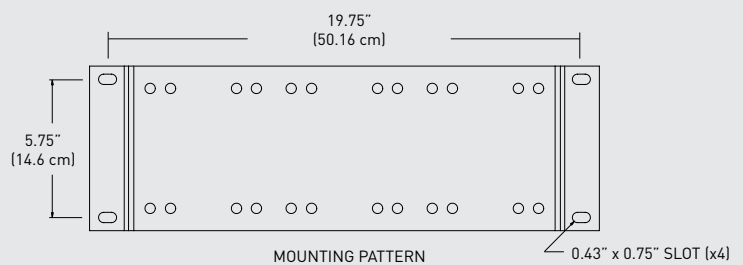
## Create a Part Number

Housing Type	Filter Model	Filtration Rating
Triple Assembly 540 GPH Flow Rate	Turbine Model 180 GPH Flow Rate (X3)	2 micron 10 micron 30 micron
77	1000FH	2 10 30

## Dimensions:



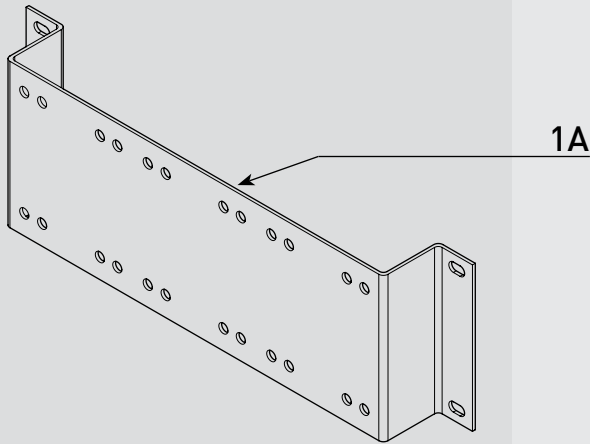
ASSEMBLY	DESCRIPTION
771000FH2	Triple 1000 Turbine Assy., 2 micron Filter
771000FH10	Triple 1000 Turbine Assy., 10 micron Filter
771000FH30	Triple 1000 Turbine Assy., 30 micron Filter



# PARTS

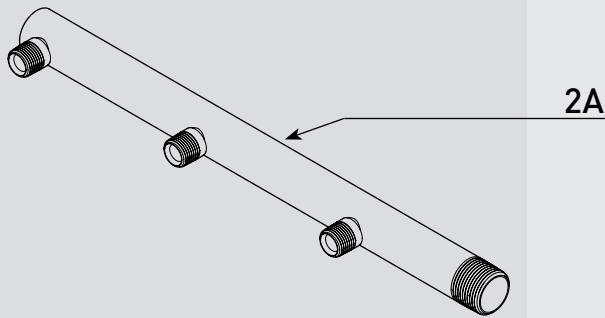
## Turbine Series - 771000FH

1



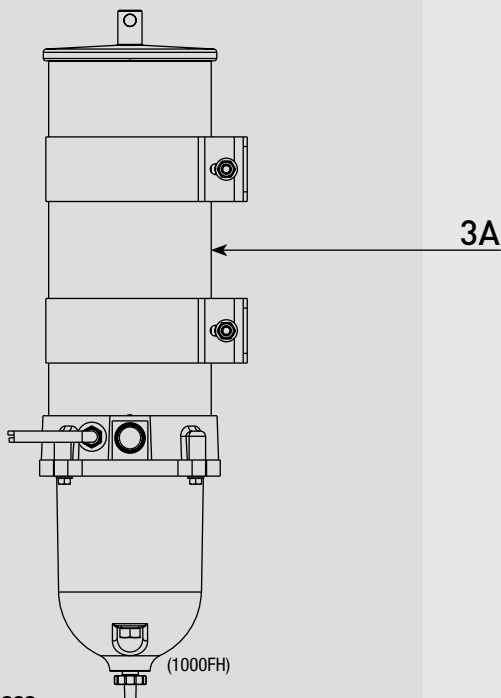
1A

2



2A

3



3A

See **RSL0292**  
For 1000FH Parts Breakdown

Part #	Description
<b>1A</b> 18998	Mounting Bracket - 771000FH - Bracket only
<b>2A</b> 11076	Inlet/Outlet Manifold Tube (1"-11 1/2 NPT)
<b>3A</b>	Turbine Fuel Filter - 1000FH Series See Cutsheet <b>RSL0292</b> for available Parts and Accessories

### Accessories and Parts Available (Not Shown)

<b>4A</b>	<b>RK 11-1952</b>	<b>Complete Seal Service Kit - 900FH/1000FH Series Filters (Requires 2)</b>
	<b>RK 11-1404</b>	<b>Complete Seal Service Kit - 900/1000 Series Filters For FG and Older Models (Requires 2)</b>
<b>4B</b>	<b>RK30880E</b>	WIF Sensor and Light Kit - 1/2"-20 UNF
	<b>RK33803</b>	WIF Probe Kit - 1/2"-20 UNF - Two Wire Pigtail Water Detection Module Required - <b>Use 4C</b>
<b>4C</b>	<b>RK 14329</b>	Water Detection Module - 12 vdc
	<b>RK 14321</b>	Water Detection Module - 24 vdc
<b>5A</b>	<b>RK11007</b>	Bowl Gasket - <b>Included in 4A</b>
<b>5B</b>	<b>RK 11-1938</b>	Bowl Kit - <b>Includes 5A, 5C &amp; 5D</b>
<b>5C</b>	<b>RK 20126</b>	Bowl Plug ( <b>O-ring Included in 4A</b> )
<b>5D</b>	<b>RK 30476</b>	Self-venting Drain ( <b>O-ring Included in 4A</b> )
<b>6A</b>	<b>2020N-02</b>	1000FH Replacement Element 2 micron
	<b>2020N-10</b>	1000FH Replacement Element 10 micron
	<b>2020N-30</b>	1000FH Replacement Element 30 micron



Online Link  
Turbine Series Selector



Online Link  
Turbine Series  
Replacement Parts Selector